

**Series 8, Built-in washing machine, 8 kg, 1400 rpm  
WIW28501GB**



**Especially quiet washing machine with EcoSilence Drive and Silence program: enjoy very quiet operation and excellent durability.**

- **EcoSilence Drive™:** quiet and energy-efficient drive, with a 10-year warranty.
- **VarioDrum:** gentle washing thanks to a unique drum structure.
- **ActiveWater Plus:** For highly efficient use of water even with smaller loads thanks to automatic load detection.
- **Easy-to-use LED display with touch control and many additional functions like start delay and remaining time.**
- **Reduced Noise Wash: Programme option for extremely quiet washing.**

**Technical Data**

Energy Efficiency Class: .....C  
 Weighted energy consumption in kWh per 100 washing cycles of eco 40-60 programme: ..... 62 kWh  
 Maximum capacity in kg: ..... 8.0 kg  
 The water consumption of the eco programme in liters per cycle: 45 l  
 Duration of eco 40-60 programme in hours and mins at rated capacity: ..... 3:16 h  
 Spin-drying efficiency class of eco 40-60 programme: ..... B  
 Airborne acoustical noise emission class: .....A  
 Airborne acoustical noise emissions : .....66 dB(A) re 1 pW  
 Built-in / Free-standing: ..... Built-in  
 Height of removable worktop: .....-2 mm  
 Dimensions of the product: .....818 x 596 x 544 mm  
 Net weight: ..... 76.3 kg  
 Connection rating: ..... 2300 W  
 Fuse protection: .....10 A  
 Voltage: ..... 220-240 V  
 Frequency: ..... 50 Hz  
 Length electrical supply cord: ..... 210.0 cm  
 Door hinge: ..... Left  
 Wheels: .....No  
 EAN code: .....4242005211470  
 Installation typology: ..... Integrated

**Optional accessories**

- WMZ20441 Height-adjustable feet  
 WMZ2200 Floor securing component  
 WMZ2381 Extension for cold water inlet /Aquastop



## Series 8, Built-in washing machine, 8 kg, 1400 rpm WIW28501GB

**Especially quiet washing machine with EcoSilence Drive and Silence program: enjoy very quiet operation and excellent durability.**

- adjustable base depth: 6.5 cm

<sup>1</sup> Scale of Energy Efficiency Classes from A to G

<sup>2</sup> Energy consumption in kWh per 100 cycles (in programme Eco 40-60)

<sup>3</sup> Weighted water consumption in litres per cycle (in programme Eco 40-60)

<sup>4</sup> Duration of Eco 40-60 programme

\*\* Values are rounded.

\* Please find warranty terms under: BSHM\_BMRK\_BL

### Performance

- Energy Efficiency Class<sup>1</sup>: C
- Energy<sup>2</sup> / Water<sup>3</sup>: 62 kWh / 45 litres
- Load capacity: 1 - 8 kg
- Programme duration<sup>4</sup>: 3:16 h:min
- Spin drying efficiency class: B
- Spin speed<sup>\*\*</sup>: 400 - 1400 rpm
- Noise level: 66 dB (A) re 1 pW
- Noise efficiency class: A

### Programmes/functions

- Touch control buttons: Prewash, Ready in, Temperature selection, SpeedPerfect, start/pause with reload function, Aqua Plus, Spin speed reduction
- Special programmes: Drain / Spin, Down Wear, Dark Wash, Shirts, SportsWear, Mixed Load, Super Quick 15/30, Quiet Wash, Drum clean with reminder, Single Rinse, Wool/Handwash, Delicate/Silk programme, Delicates/silk
- Sensor electronics with safeguard monitoring system that adjusts load and distribution and programme settings to protect clothes

### Key features

- Reload function: Be flexible in adding laundry items even after start of the wash cycle.
- TimeLight: program status and remaining time clearly displayed on floor in high resolution.
- EcoSilence drive with 10 year warranty
- AntiVibration Design - for more stability and quietness
- ActiveWater Plus: for highly efficient use of water even with small loads thanks to automatic load detection.

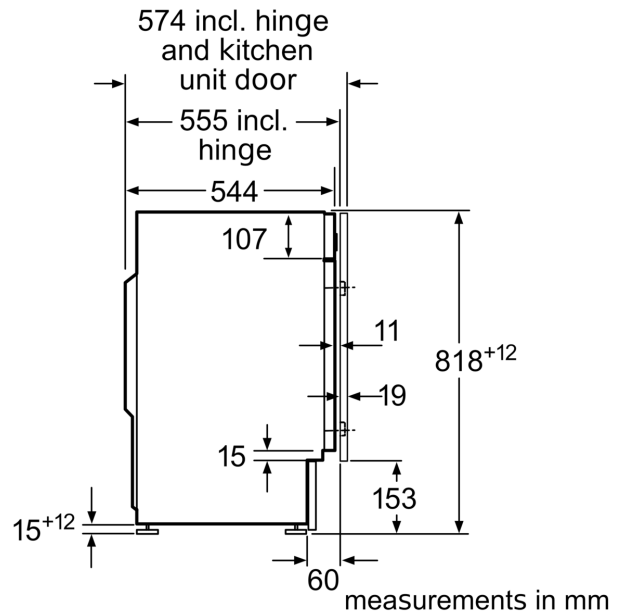
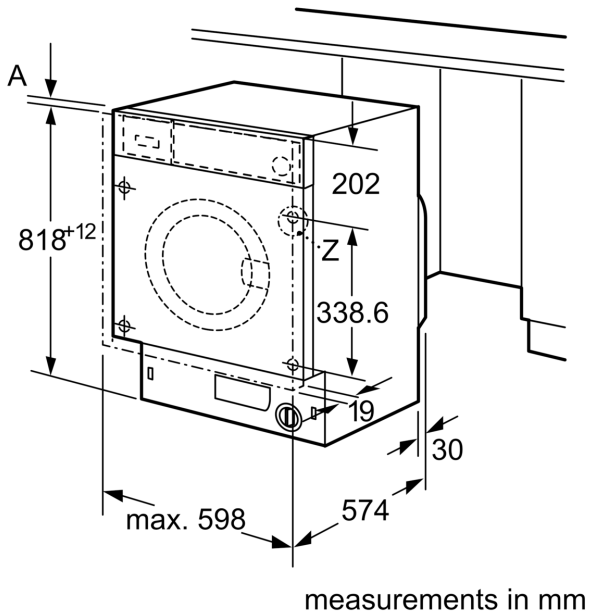
### Additional features

- Large display for programme progress indication, temperature, spin speed, remaining time, 24 hours end time delay and load recommendation
- Drum clean with reminder function
- AquaStop: Bosch home appliance with lifetime warranty against water damage\*
- Foam detection system
- Detergent dispensing: easy clean
- Divider for Liquid Detergent
- Buzzer to indicate the end of cycle

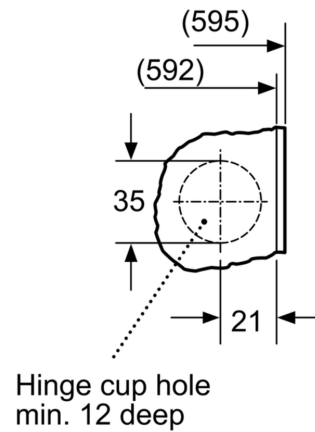
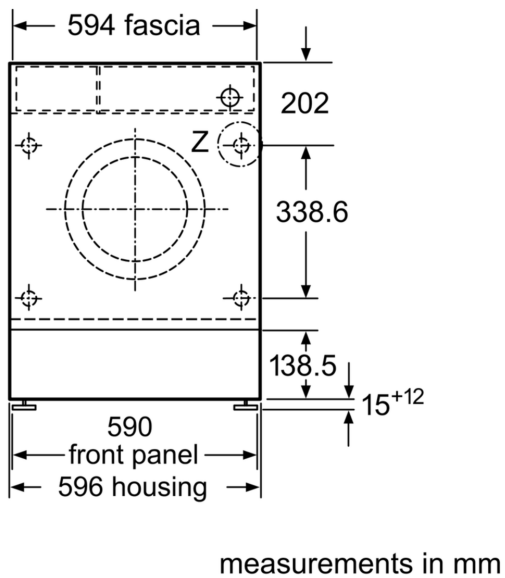
### Technical Information

- Fully integrated
- Large white door with 130° opening and 30 cm porthole
- Furniture door is reversible
- Dimensions (H x W x D): 81.8 x 59.6 x Appliance depth: 57.4 cm
- Height adjustment with cardanDrive
- adjustable base height: 15 cm

**Series 8, Built-in washing machine, 8 kg, 1400 rpm  
WIW28501GB**



Z detail



measurements in mm