

**iQ700, Built-in washing machine, 8 kg,  
1400 rpm  
WI14W500GB**



**A+++**



iSensoric fully integrated premium built-in washing machine with iQdrive, extremely high energy efficiency and timeLight.

- ✓ LED touch display shows all relevant information clearly and is easy to use
- ✓ timeLight: See the programme status as a luminous projection on the floor
- ✓ Outdoor programme for gentle waterproofing of outdoor textiles.
- ✓ iQdrive motor: Intelligent, quiet, and durable with warranty
- ✓ Sensor-controlled wash programmes for the most efficient water usage with any load size - thanks to the water management system.

#### Features

##### Technical Data

Built-in / Free-standing : Built-in  
 Height of removable worktop (mm) : 820  
 Dimensions of the product (mm) : 818 x 596 x 544  
 Height for building under : 820.00  
 Net weight (kg) : 72.474  
 Connection Rating (W) : 2300  
 Current (A) : 10  
 Voltage (V) : 220-240  
 Frequency (Hz) : 50  
 Approval certificates : CE, VDE  
 Length electrical supply cord (cm) : 210  
 Washing performance class : A  
 Door hinge : Left  
 Wheels : No  
 EAN code : 4242003769737  
 Capacity cotton (kg) - NEW (2010/30/EC) : 8.0  
 Energy consumption annual (kWh/annum) - NEW (2010/30/EC) : 137.00  
 Power consumption in off-mode (W) - NEW (2010/30/EC) : 0.12  
 Power consumption in left-on mode (W) - NEW (2010/30/EC) : 0.50  
 Water consumption annual (l/annum) - NEW (2010/30/EC) : 9900  
 Spin drying performance class : B  
 Maximum spin speed (rpm) - NEW (2010/30/EC) : 1355  
 Average washing time cotton 40C (partial load) - NEW (2010/30/EC) : 255  
 Average washing time cotton 60C (full load) (min) - NEW (2010/30/EC) : 270  
 Average washing time cotton 60C (partial load) - NEW (2010/30/EC) : 270  
 Noise level washing (dB(A) re 1 pW) : 41  
 Noise level spinning (dB(A) re 1 pW) : 67  
 Installation typology : Full-integrated



4 242003 769737

## iQ700, Built-in washing machine, 8 kg, 1400 rpm WI14W500GB

### Features

#### Performance

- Capacity: 8 kg
- Energy Efficiency Class: A+++
- Energy consumption :137 kWh per year, based on 220 standard washing cycles
- Energy consumption: standard 60 °C cotton programme 0.78 kWh full load and 0.58 kWh partial load and 40 °C cotton programme 0.38 kWh partial load
- Weighted power consumption off-mode / left-on mode: 0.12 W / 0.5 W
- Water consumption 9900 litres per year, based on 220 standard washing cycles.
- B spin class
- Maximum spin speed: 1400 rpm\*\*
- 
- Cottons 60 Eco and Cottons 40 Eco are the standard washing programmes to which the information in the label relates. These programmes are suitable to clean normally soiled cotton laundry and are the most efficient programmes in terms of combined energy and water consumption.
- Programme time:60 °C cotton programme 270 min at full load 270 min at partial load and 40 °C cotton programme 255 min partial load
- Noise level washing : 41dB (A) re 1pW: Noise level spinning:67dB (A) re 1 pW
- Noise level spinning:67dB (A) re 1 pW:

#### Programmes/functions

- Special programmes: Rapid 60, Dark Wash, shirts/blouses, textile guard re-proofing programme, mixed fabrics, hygiene, rapid 15 minute quick wash, duvet, drum clean with reminder, rinse/spin/drain, wool/handwash, delicates/silk, delicates/silk programme
- Touch control buttons: less ironing, Ready in, temperature selection, start/pause with reload function, speedPerfect/ecoPerect, Water & Rinse Plus, spin speed selection

#### Key features

- Timelight: See the programme status projected on the floor despite being built in
- drum clean with reminder function
- varioSpeed: Up to 65% reduced washing cycle

#### Additional features

- Reload Function: Stop the washing machine to add any forgotten items of laundry to the drum.
- Large display for programme progress indication, temperature, spin speed, remaining time, 24 hours end time delay and load recommendation
- iQdrive with 10 year warranty
- EcoSilence drive with 10 year warranty
- aquaStop: Siemens home appliance with lifetime warranty against water damage\*
- waterPerfect Plus: water management system
- Foam detection system
- Out of balance load adjustment
- Noise insulation: bottom cover
- Divider for Liquid Detergent
- End of cycle buzzer

- 
- Large white door with 130° opening and 30 cm porthole
- Furniture door is reversible
- metal door catch

#### Technical Information

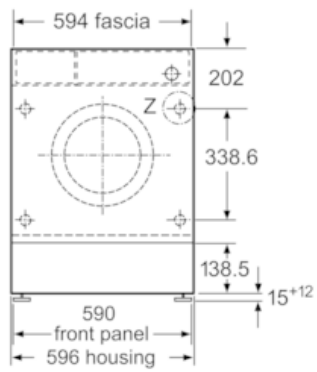
- autoLoad Plus
- adjustable base height: 15 cm
- adjustable base depth: 6.5 cm
- Dimensions (H x W x D): 81.8 x 59.6 x Appliance depth: 57.4 cm
- Height adjustment with cardanDrive

\* Please find warranty terms under <https://www.siemens-home.bsh-group.com/ie/customer-service/warranty/additional-warranties>

\*\* Values are rounded.

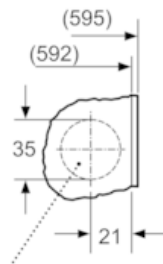
**iQ700, Built-in washing machine, 8 kg,  
1400 rpm  
WI14W500GB**

Dimensioned drawings



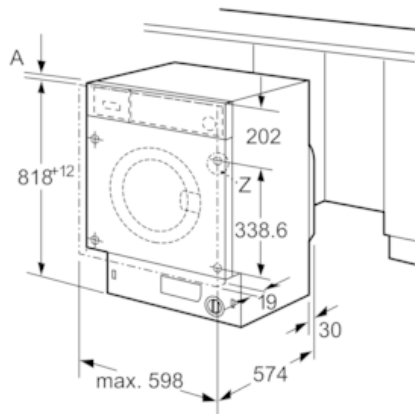
measurements in mm

Z detail



Hinge cup hole  
min. 12 deep

measurements in mm



measurements in mm