

**iQ500, Built-in washing machine, 8 kg,
1400 rpm
WI14W300GB**



iSensoric fully integrated built-in washing machine with iQdrive and very high energy efficiency.

- ✓ LED touch display shows all relevant information clearly and is easy to use
- ✓ iQdrive motor: Intelligent, quiet, and durable with warranty
- ✓ Sensor-controlled wash programmes for the most efficient water usage with any load size - thanks to the wate management system.
- ✓ waveDrum for highly effective and extremely gentle laundry care.
- ✓ Lifetime protection against water damage -#quaStop®

Features

Technical Data

Built-in / Free-standing : Built-in
 Height of removable worktop (mm) : 820
 Dimensions of the product (mm) : 818 x 596 x 544
 Net weight (kg) : 72.274
 Connection Rating (W) : 2300
 Current (A) : 10
 Voltage (V) : 220-240
 Frequency (Hz) : 50
 Approval certificates : CE, VDE
 Length electrical supply cord (cm) : 210
 Washing performance class : A
 Door hinge : Left
 Wheels : No
 EAN code : 4242003770047
 Capacity cotton (kg) - NEW (2010/30/EC) : 8.0
 Energy efficiency rating : A+++
 Energy consumption annual (kWh/annum) - NEW (2010/30/EC) :
 157.00
 : 0.12
 : 0.50
 Water consumption annual (l/annum) - NEW (2010/30/EC) : 9900
 Spin drying performance class : B
 Maximum spin speed (rpm) - NEW (2010/30/EC) : 1355
 Average washing time cotton 40C (partial load) - NEW (2010/30/EC) :
 255
 Average washing time cotton 60C (full load) (min) - NEW (2010/30/
 EC) : 270
 Average washing time cotton 60C (partial load) - NEW (2010/30/EC) :
 270
 Noise level washing (dB(A) re 1 pW) : 41
 Noise level spinning (dB(A) re 1 pW) : 67
 Installation typology : Full-integrated



iQ500, Built-in washing machine, 8 kg, 1400 rpm WI14W300GB

Features

Performance

- Capacity: 8 kg
- Energy Efficiency Class: A+++
- Energy consumption :157 kWh per year, based on 220 standard washing cycles
- Energy consumption: standard 60 °C cotton programme 0.85 kWh full load and 0.74 kWh partial load and 40 °C cotton programme 0.44 kWh partial load
- Water consumption 9900 litres per year, based on 220 standard washing cycles.
- B spin class
- Maximum spin speed: 1400 rpm**
-
- Cottons 60 Eco and Cottons 40 Eco are the standard washing programmes to which the information in the label relates. These programmes are suitable to clean normally soiled cotton laundry and are the most efficient programmes in terms of combined energy and water consumption.
- Programme time:60 °C cotton programme 270 min at full load 270 min at partial load and 40 °C cotton programme 255 min partial load
- Noise level washing : 41dB (A) re 1pW: Noise level spinning:67dB (A) re 1 pW
- Noise level spinning:67dB (A) re 1 pW:

Programmes/functions

- Special programmes: Extra Rinse, drain / spin, mixed fabrics, rapid 15 minute quick wash, handwash/wool, delicates/silk programme

Key features

- varioSpeed: Up to 65% reduced washing cycle
- Touch control buttons: Ready in, start/pause with reload function, speedPerfect/ecoPerect, spin speed selection

Additional features

- Reload Function: Stop the washing machine to add any forgotten items of laundry to the drum.
- Large display for programme progress indication, spin speed, remaining time, 24 hour end time delay and load recommendation
- iQdrive with 10 year warranty
- EcoSilence drive with 10 year warranty
- aquaStop: Siemens home appliance with lifetime warranty against water damage*
- Foam detection system
- Out of balance load adjustment
- Divider for Liquid Detergent
- End of cycle buzzer
-
- Large white door with 130° opening and 30 cm porthole
- Furniture door is reversible
- metal door catch

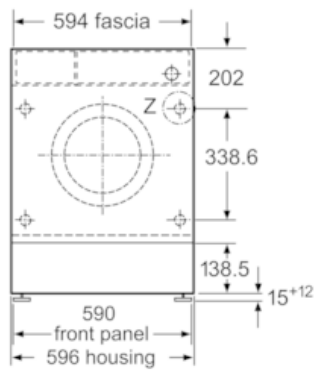
Technical Information

- autoLoad Plus
- adjustable base height: 15 cm
- adjustable base depth: 6.5 cm
- Dimensions (H x W x D): 81.8 x 59.6 x Appliance depth: 57.4 cm
- Height adjustment with cardanDrive

* Please find warranty terms under <https://www.siemens-home.bsh-group.com/ie/customer-service/warranty/additional-warranties>
** Values are rounded.

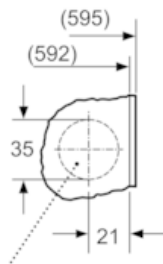
**iQ500, Built-in washing machine, 8 kg,
1400 rpm
WI14W300GB**

Dimensioned drawings



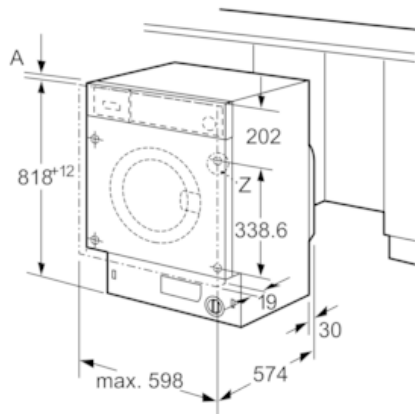
measurements in mm

Z detail



Hinge cup hole
min. 12 deep

measurements in mm



measurements in mm