

**Series 6, Washing machine, front loader, 9 kg, 1400 rpm  
WGG244FCGB**



**Perfect results with minimum energy, water and detergent consumption thanks to energy Class A, i-DOS automatic dosing and ActiveWater Plus.**

- **Best energy class A:** save energy with the most efficient class A.
- **Speed Perfect:** get the perfect clean in up to 65% less time.
- **AntiStain:** reliably removes four common stains.
- **i-DOS:** automatically measures the required amount of detergent and water needed for your cycle.
- **ActiveWater Plus:** For highly efficient use of water even with smaller loads thanks to automatic load detection.

**Technical Data**

Energy Efficiency Class:	..... A
Weighted energy consumption in kWh per 100 washing cycles of eco 40-60 programme:	..... 49 kWh
Maximum capacity in kg:	..... 9.0 kg
The water consumption of the eco programme in liters per cycle:	50 l
Duration of eco 40-60 programme in hours and mins at rated capacity:	..... 3:48 h
Spin-drying efficiency class of eco 40-60 programme:	..... B
Airborne acoustical noise emission class:	..... A
Airborne acoustical noise emissions :	..... 71 dB(A) re 1 pW
Built-in / Free-standing:	..... Free-standing
Height of removable worktop:	..... -5 mm
Dimensions of the product:	..... 845 x 598 x 590 mm
Net weight:	..... 73.5 kg
Connection rating:	..... 2300 W
Fuse protection:	..... 10 A
Voltage:	..... 220-240 V
Frequency:	..... 50 Hz
Length electrical supply cord:	..... 210.0 cm
Door hinge:	..... Left
Wheels:	..... No
EAN code:	..... 4242005456543
Installation typology:	..... Free-standing

**Optional accessories**

- WMZ2200 Floor securing component  
 WMZ2381 Extension for cold water inlet /Aquastop



## Series 6, Washing machine, front loader, 9 kg, 1400 rpm WGG244FCGB

**Perfect results with minimum energy, water and detergent consumption thanks to energy Class A, i-DOS automatic dosing and ActiveWater Plus.**

### Performance

- Energy Efficiency Class<sup>1</sup>: A
- Energy<sup>2</sup> / Water<sup>3</sup>: 49 kWh / 50 litres
- Load capacity: 1 - 9 kg
- Programme duration<sup>4</sup>: 3:48 h:min
- Spin drying efficiency class: B
- Spin speed<sup>\*\*</sup>: 0 - 1400 rpm
- Noise level: 71 dB (A) re 1 pW
- Noise efficiency class: A

### Programmes/functions

- Standard programmes: cottons, easy care, delicates, wool hand wash
- Iron Assist: Steam programme that reduces wrinkles on dry clothes
- Special programmes: Automatic Gentle, Drum clean with reminder, Drain / Spin, Mixed Load, SportsWear, Single Rinse, Super Quick 15/30, Hygiene

### Key features

- SpeedPerfect: perfectly clean in up to 65% less time. \*\*\*
- i-DOS: automatic dosing of liquid detergent and softener
- AntiStain - 4 stain removal options at the touch of a button
- Touch control buttons: Reduced Ironing option, Ready in, stain selection, i-DOS 2.0, start/pause with reload function, Temperature selection, SpeedPerfect, Prewash, Spin speed reduction/Rinse Hold

### Additional features

- Reload function: Be flexible in adding laundry items even after start of the wash cycle.
- Large LED-Display for programme status indication, max. spin speed, remaining time and 24 h end time delay and load recommendation
- Hygiene Plus: clean laundry and killing germs effectively
- Drum volume: 65 litres
- Usage meter: counts completed programmes
- Drum interior light
- VarioDrum: gentle and efficient washing
- Drum clean with reminder function
- Large silver-black grey door with 165° opening and 32cm porthole opening
- Reload function / pause function
- EcoSilence drive with 10 year warranty
- EcoSilence drive with 10 year warranty
- ActiveWater Plus: for highly efficient use of water even with small loads thanks to automatic load detection.
- AntiStain
- AntiVibration Design - for more stability and quietness
- Turbidity sensor

- Aqua Protection
- soft dial
- Foam detection system
- Sensor electronics with safeguard monitoring system that adjusts load and distribution and programme settings to protect clothes
- Child lock
- Acoustic signals: Buzzer

### Technical Information

- Slide-under installation
- Dimensions (H x W): 84.5 cm x 59.8 cm
- Appliance depth: 59.0 cm
- Appliance depth incl. door: 63.6 cm
- Appliance depth with open door: 107.3 cm

<sup>1</sup> Scale of Energy Efficiency Classes from A to G

<sup>2</sup> Energy consumption in kWh per 100 cycles (in programme Eco 40-60)

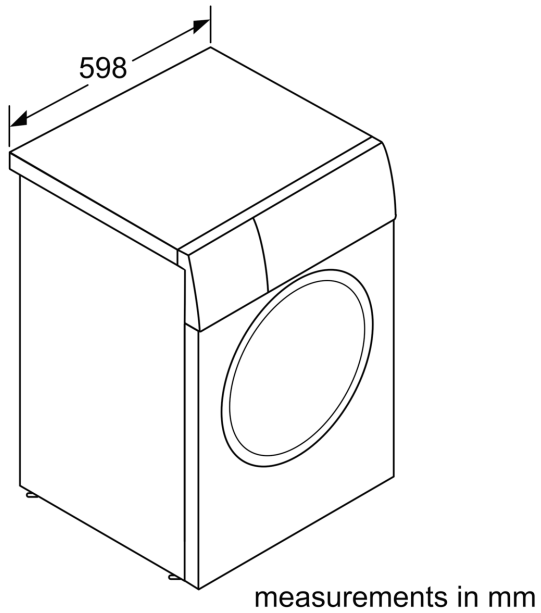
<sup>3</sup> Weighted water consumption in litres per cycle (in programme Eco 40-60)

<sup>4</sup> Duration of Eco 40-60 programme

\*\* Values are rounded.

\*\*\* Comparison between the program duration of Easy-care 40°C and the program duration of Easy-care 40°C + activated Speed option

**Series 6, Washing machine, front loader, 9 kg, 1400 rpm  
WGG244FCGB**



Measurements in mm

