

**IQ700, Washing machine, front loader, 9 kg, 1400 rpm  
WG44B209GB**



- ✓ speedPack XL: speed up your wash or use one of the fixed preset speed programmes.
- ✓ Home Connect app (Android and iOS): access and control your washing machine, wherever you are.
- ✓ Remote control: manage your wash with your mobile device.
- ✓ Push notifications: know what your machine needs with the Home Connect app.
- ✓ Voice control: your washing machine does exactly what you say.

**Features**

**Technical Data**

Energy Efficiency Class: .....A  
 Weighted energy consumption in kWh per 100 washing cycles of eco 40-60 programme: .....40 kWh  
 Maximum capacity in kg: .....9.0 kg  
 The water consumption of the eco programme in liters per cycle: 50 l  
 Duration of eco 40-60 programme in hours and mins at rated capacity: ..... 3:48 h  
 Spin-drying efficiency class of eco 40-60 programme: ..... B  
 Airborne acoustical noise emission class: .....A  
 Airborne acoustical noise emissions : ..... 69 dB(A) re 1 pW  
 Built-in / Free-standing: ..... Freestanding  
 Dimensions of the product: ..... 845 x 598 x 590 mm  
 Weight: ..... 82.8 kg  
 Connection Rating: ..... 2300 W  
 Fuse protection: ..... 10 A  
 Nominal power: ..... 220-240 V  
 Frequency: ..... 50-60 Hz  
 Length electrical supply cord: ..... 210.0 cm  
 Door hinge: ..... Left  
 Wheels: ..... No  
 EAN code: ..... 4242003937198  
 Installation type: ..... Freestanding



Optional accessories	
WX975600	Floor securing component
WZ10131	Extension for cold water inlet /Aquastop
WZWP20W	Platform with pull-out, washer, cubic

## IQ700, Washing machine, front loader, 9 kg, 1400 rpm WG44B209GB

### Features

#### Performance

- Energy Efficiency Class<sup>1</sup>: A
- Energy<sup>2</sup> / Water<sup>3</sup>: 40 kWh / 50 litres
- Load capacity: 1 - 9 kg
- Programme duration<sup>4</sup>: 3:48 h:min
- Spin drying efficiency class: B
- Spin speed<sup>\*\*</sup>: 400 - 1400 rpm
- Noise level: 69 dB (A) re 1 pW
- Noise efficiency class: A

#### Programmes/functions

- Standard programmes: cottons, easy care, delicates, wool hand wash
- W\_F44C-PG1.5CU
- Special programmes: textile guard re-proofing programme, drain / spin, PowerWash 59, mixed fabrics, single rinse, rapid 15 minute quick wash, Hygiene

#### Key features

- Touch control buttons: On/off, soaking, Ready in, stain selection, child lock, Memory, extra rinse, remote start, start/pause with reload function, temperature selection, varioSpeed, prewash, water plus, spin speed selection/Rinse Hold

#### Additional features

- Reload Function: Stop the washing machine to add any forgotten items of laundry to the drum.
- powerSpeed system: better washing results in less time
- Hygiene Plus: clean laundry and killing germs effectively
- Drum volume: 65 litres
- drum interior light
- waveDrum: for highly effective and extremely gentle laundry care
- Large chrome-black door with 188° opening and 32cm porthole opening
- Reload facility
- iQdrive with 10 year warranty
- EcoSilence drive with 10 year warranty
- antiVibration Design - for more stability and quietness
- waterPerfect Plus: for efficient use of water even with small loads thanks to intelligent sensor technology.
- Sound insulation by additional noise reduction material
- Sound insulation by additional noise reduction material
- aquaStop: Siemens home appliance with lifetime warranty against water damage\*
- Jog dial with integrated on/off control
- Foam detection system
- Detergent over dosage display
- Out of balance load adjustment
- Electronic child safety package
- Acoustic signals: Buzzer
- Detergent dispensing: easy clean
- Divider for Liquid Detergent

- Usage meter: counts completed programmes

#### Technical Information

- Slide-under installation
- Dimensions (H x W): 84.5 cm x 59.8 cm
- Appliance depth: 59.0 cm
- Appliance depth incl. door: 63.8 cm
- Appliance depth with open door: 109.0 cm

<sup>1</sup> Scale of Energy Efficiency Classes from A to G

<sup>2</sup> Energy consumption in kWh per 100 cycles (in programme Eco 40-60)

<sup>3</sup> Weighted water consumption in litres per cycle (in programme Eco 40-60)

<sup>4</sup> Duration of Eco 40-60 programme

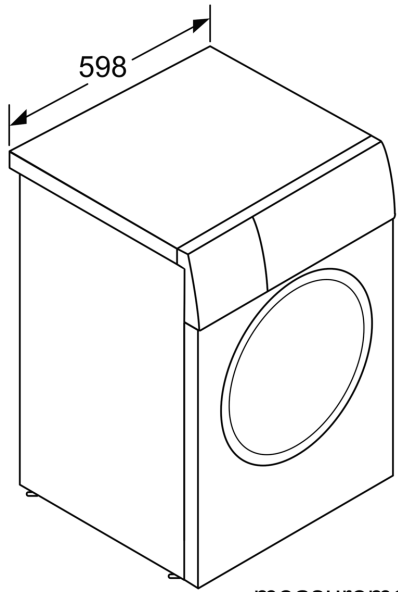
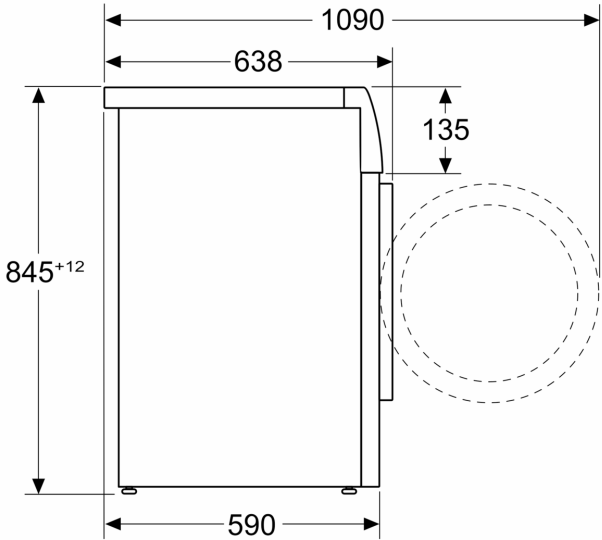
\*\* Values are rounded.

\* Please find warranty terms under: BSHM\_BMRK\_BL

**IQ700, Washing machine, front loader, 9 kg, 1400 rpm  
WG44B209GB**

Dimensioned drawings

Measurements in mm



measurements in mm