

**Series 8, Washer dryer, 10/6 kg,  
1400 rpm  
WDU8H541GB**



- Hybrid FlexAir washer dryer technology achieves energy class A for the washing cycle.
- Iron Assist: the clever steam treatment that smooths dried clothes.
- Ease of control with DirectSelect Display and illuminated intuitive dial for efficient programm selection.
- Wash & Dry 60: wash and dry small loads efficiently in just 60 min.
- Speed Perfect: the ultimate clean, up to 65% faster.

**Technical Data**

Energy Efficiency Class Wash/Dry cycle(Regulation): ..... D  
 Energy Efficiency Class Eco 40-60 programme (Regulation): ..... A  
 Weighted energy consumption in kWh per 100 full Wash/Dry cycles ..... 3.07 kWh  
 Weighted energy consumption in kWh per 100 washing cycles of eco 40-60 programme: ..... 49 kWh  
 Maximum capacity in kg in a Wash/Dry cycle: ..... 6.0  
 Maximum capacity in kg in a wash cycle: ..... 10.0  
 The water consumption of the full wash and dry cycle in liters per cycle: ..... 74 l  
 The water consumption of the eco programme in liters per cycle: 50 l  
 Duration of the full wash and dry cycle in hours and mins at rated capacity: ..... 8:00 h  
 Duration of eco 40-60 programme in hours and mins at rated capacity: ..... 3:55 h  
 Spin-drying efficiency class of eco 40-60 programme: ..... B  
 Airborne acoustical noise emissions : ..... 70 dB(A) re 1 pW  
 Airborne acoustical noise emission class: ..... A  
 Built-in / Free-standing: ..... Free-standing  
 Removable top: ..... No  
 Door hinge: ..... Left  
 Length electrical supply cord: ..... 210.0 cm  
 Dimensions of the product: ..... 848 x 598 x 616 mm  
 Net weight: ..... 84.8 kg  
 Drum volume: ..... 65 l  
 EAN code: ..... 4242005328680

**Optional accessories**

- WMZ2200 Floor securing component  
 WMZ2381 Extension for cold water inlet /Aquastop



## Series 8, Washer dryer, 10/6 kg, 1400 rpm WDU8H541GB

### Performance

- Energy Efficiency Class Wash and Dry<sup>1</sup>: D
- Energy Efficiency Class Washing<sup>2</sup>: A
- Energy<sup>3</sup> / Water<sup>4</sup> Wash and Dry: 307 kWh / 74 litres
- Energy<sup>5</sup> / Water<sup>6</sup> Washing: 49 kWh / 50 litres
- Load capacity Wash and Dry / Washing: 1 - 6 kg / 1 - 10 kg
- Programme duration<sup>7</sup> Wash and Dry / Washing: 8:00 h:min / 3:55 h:min
- Spin drying efficiency class: EU19\_spin efficiency class: B
- Spin speed<sup>\*\*</sup>: 0 - 1400 rpm
- Noise level: 70 dB (A) re 1 pW
- Noise efficiency class: A

### Programmes/functions

- Standard programmes for washing: Cottons, Easy-Care, Delicate/Silk programme, Wool/Handwash
- Special programmes washing: Drum clean with reminder, Super Quick 15, Rinse, Mixed Load, MyTime, Drain / Spin, Remote Program, SportsWear
- Most common washing programmes can be used as solo-drying programme or as washing and drying in one go programme
- Standard programmes for drying: Cottons, Easy-Care
- Special programmes drying: Refresh, MyTime, Wash & Dry 60'

### Key features

- Home Connect: Remote Monitoring and Control
- Options washing: 1 - 3 additional rinse cycles, Easy iron, HygieneCare, Child lock, Memory, Night Wash, SpeedPerfect, Prewash, Water plus
- Options drying: Iron Dry, Night Dry, Solo Dry, Speed, Cupboard Dry, Cupboard Dry Plus, Wash + Dry
- Drying options for most wash programmes
- Autodry function, Timed drying programmes

### Additional features

- Reload function: Be flexible in adding laundry items even after start of the wash cycle.
- Exceptional convenience thanks to the inclined ergonomic control panel
- AquaStop: Bosch home appliance with lifetime warranty against water damage\*
- EcoSilence drive with 10 year warranty
- EcoSilence drive with 10 year warranty
- Fully electronic metal control dial for all wash and special programmes
- Large LED-Display for programme status indication, temperature selection, spin speed, remaining time and 24 hours end time delay, load recommendation and consumption indication
- WaveDrum - Gentle washing thanks to a unique drum structure
- Drum interior light
- integrated 32 cm porthole, chrome, blackgrey with 125° opening door
- ActiveWater Plus: for highly efficient use of water even with small loads thanks to automatic load detection.
- AntiVibration Design - for more stability and quietness

- Sound insulation by additional noise reduction material
- Sound insulation by additional noise reduction material
- Foam detection system
- Sensor electronics with safeguard monitoring system that adjusts load and distribution and programme settings to protect clothes
- Buzzer to indicate the end of cycle
- Maintenance free condenser: automatic fluff removal
- Child lock
- White door with 180° opening door
- Left hinged door
- Metal door catch
- Reload facility

### Technical Information

- Slide-under installation
- Dimensions (H x W): 84.8 cm x 59.8 cm
- Appliance depth: 61.6 cm
- Appliance depth incl. door: 65.4 cm
- Appliance depth with open door: 114.2 cm

<sup>1 2</sup> Scale of Energy Efficiency Classes from A to G

<sup>3</sup> Energy consumption in kWh per 100 complete cycles (in Eco 40-60 programme)

<sup>4</sup> Water consumption in litres per complete cycle (in Eco 40-60 programme)

<sup>5</sup> Energy consumption in kWh per 100 washing cycles (in Eco 40-60 programme)

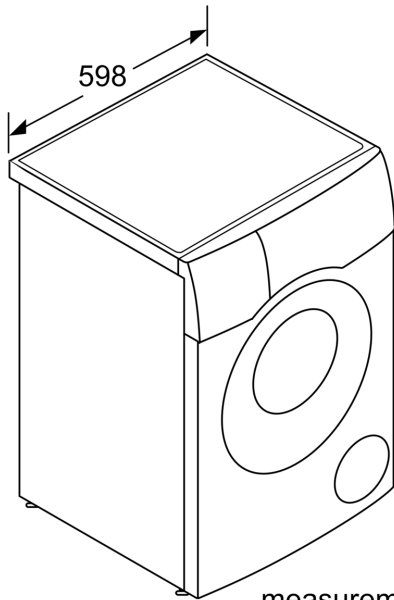
<sup>6</sup> Weighted water consumption in litres per washing cycle (in Eco 40-60 programme)

<sup>7</sup> Duration of Eco 40-60 programme, Wash and Dry cycle / Wash only cycle

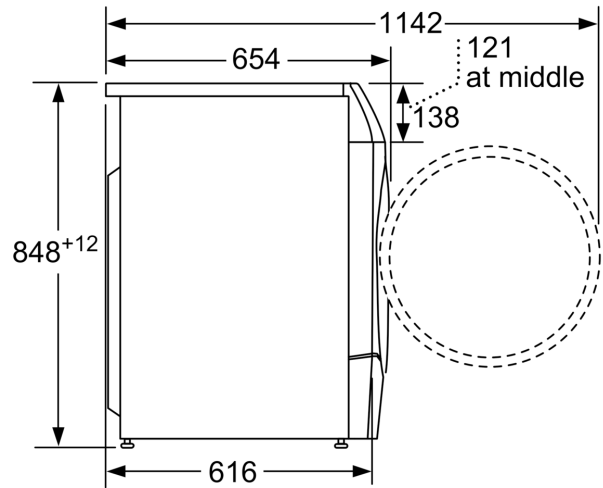
\*\* Values are rounded.

\* Please find warranty terms under: BSHM\_BMRK\_BL

**Series 8, Washer dryer, 10/6 kg,  
1400 rpm  
WDU8H541GB**



measurements in mm



measurements in mm