

**Serie | 8, washing machine, front loader, 9 kg, 1400 rpm
WAYH8790GB**



A+++



The washing machine with AntiStain System and Home Connect: Convenient remote operation via smartphone or tablet PC.

- **Home Connect:** home appliances with smart connectivity for an easier everyday life.
- **EcoSilence Drive™:** extremely energy-efficient and quiet in operation with a 10-year warranty.
- **AllergyPlus:** specially developed for the needs of allergy sufferers and sensitive skin.
- **SpeedPerfect:** perfectly clean in up to 65% less time.
- **WaveDrum:** gentle washing thanks to a unique drum structure.
- **ActiveWater™:** reduces water consumption and costs thanks to the sensor-controlled, stepless automatic load adjustment system.
- **Reload function:** allows you to add any forgotten item while washing.
- **DrumClean with reminder function:** programme for cleaning and maintaining the drum.
- **AntiVibration™ Design:** extremely stable and especially quiet thanks to special vibration protection.
- **Energy efficiency class A+++ -30%:** 30% more efficient than the best efficiency class.
- **VarioPerfect™:** takes up to 65% less time or uses up to 50% less energy – by simply selecting SpeedPerfect or EcoPerfect functions.
- **TouchControl buttons:** convenient to operate thanks to the electronic control panel

Technical Data

Built-in / Free-standing :	Free-standing
Height of removable worktop (mm) :	850
Dimensions of the product (mm) :	848 x 598 x 590
Net weight (kg) :	77.939
Connection Rating (W) :	2300
Current (A) :	10
Voltage (V) :	220-240
Frequency (Hz) :	50
Approval certificates :	CE, VDE
Length electrical supply cord (cm) :	160
Washing performance class :	A
Door hinge :	Left
Wheels :	No
Power consumption standby/network: Please check the user manual for how to switch off the WiFi module. :	1.4
Time auto-standby/network :	20.0
EAN code :	4242002929293
Capacity cotton (kg) - NEW (2010/30/EC) :	9.0
Energy efficiency class (2010/30/EC) :	A+++
Energy consumption annual (kWh/annum) - NEW (2010/30/EC) :	152.00
Power consumption in off-mode (W) - NEW (2010/30/EC) :	0.12
Power consumption in left-on mode - NEW (2010/30/EC) :	0.43
Water consumption annual (l/annum) - NEW (2010/30/EC) :	11220
Spin drying performance class :	B
Maximum spin speed (rpm) - NEW (2010/30/EC) :	1361
Average washing time cotton 40C (partial load) - NEW (2010/30/EC) :	285
Average washing time cotton 60C (full load) (min) - NEW (2010/30/EC) :	285
Average washing time cotton 60C (partial load) - NEW (2010/30/EC) :	285
Duration of the left-on mode - NEW (2012/30/EC) (min) :	20
Noise level washing (dB(A) re 1 pW) :	47
Noise level spinning (dB(A) re 1 pW) :	71
Installation typology :	Freestanding

Serie | 8, washing machine, front loader, 9 kg, 1400 rpm WAYH8790GB

The washing machine with AntiStain System and Home Connect: Convenient remote operation via smartphone or tablet PC.

Performance

- Energy Efficiency Class: A+++
- Capacity: 9 kg
- Maximum spin speed: 1400 rpm**
- B spin class
- Energy consumption :152 kWh per year, based on 220 standard washing cycles
- -30% more economical (152kWh/year) than the standard value (217 kWh/year) of energy efficiency class A+++
- Energy consumption: standard 60 °C cotton programme 0.92 kWh full load and 0.6 kWh partial load and 40 °C cotton programme 0.42 kWh partial load
- Cottons 60 Eco and Cottons 40 Eco are the standard washing programmes to which the information in the label relates. These programmes are suitable to clean normally soiled cotton laundry and are the most efficient programmes in terms of combined energy and water consumption.
- Weighted power consumption off-mode / left-on mode: 0.12 W / 0.43 W
- Left-on Mode Duration: 20 min
- Water consumption 11220 litres per year, based on 220 standard washing cycles.
- Programme time:60 °C cotton programme 285 min at full load 285 min at partial load and 40 °C cotton programme 285 min partial load
- Drum volume: 65 litres
- Noise level washing : 47dB (A) re 1pW: Noise level spinning:71dB (A) re 1 pW

Programmes/functions

- Touch control buttons: start/pause with reload function, Spin speed reduction, Temperature selection, SpeedPerfect, EcoPerfect, stain selection, options, Prog 3 sec., Remote Start and 24 h Ready in
- Options: Water plus, Prewash, Night Wash, Easy iron, 1 - 3 additional rinse cycles, rinse hold
- Special programmes: Dark Wash, Easy-Care, Drain, Down Wear, Curtains 30°C, Shirts, SportsWear, Super Quick 15, Mixed Load, Allergy +, Quiet Wash, Drum clean with reminder, Rinse, Memory, Spin, Handwash/Wool, 20°C, 40°C, Wool Programme, Delicates 30°C
- Sensor electronics with safeguard monitoring system that adjusts load and distribution and programme settings to protect clothes

Key features

- Home Connect: Remote Monitoring and Control
- EcoBar Plus function: five possible levels of energy and water consumption
- AutoStain Removal System with 16 stain options
- VarioPerfect: speed or energy efficiency with perfect wash performance every time
- ActiveWater: water management system
- EcoSilence drive with 10 year warranty
- AntiVibration Design - for more stability and quietness

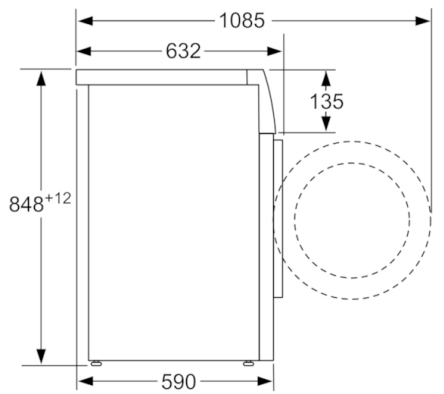
Additional features

- TFT display: Clear text and high resolution for easy use with display of programme indication, temperature selection, spin speed, remaining time, 24 hour time delay and consumption indication
- Control dial with integrated On / Off mode
- WaveDrum: gentle and efficient washing
- Load scale and detergent dosage recommendation, Consump indicator energy+water, AutoStain Removal System
- Drum interior light
- Drum clean with reminder function
- Reload facility
- Sound insulation by additional noise reduction material
- Multi-tone acoustic signal to indicate end of cycle
- Child lock
- Flow-through sensor for optimum water use
- Multiple Water Protection
- Continuous automatic load adjustment system
- Foam detection system
- Detergent dispensing: easy clean
- Divider for Liquid Detergent

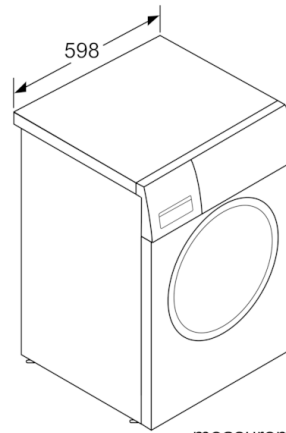
Technical Information

- Dimensions (H x W x D): 84.8 x 59.8 x Appliance depth: 63.2 cm
- Slide-under installation
- Large chrome, white door with 180° opening and 32cm porthole opening

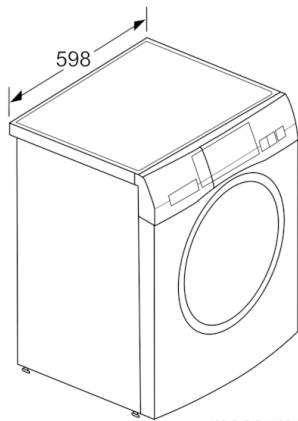
**Serie | 8, washing machine, front loader, 9
kg, 1400 rpm
WAYH8790GB**



measurements in mm



measurements in mm



measurements in mm