

**Serie | 6, washing machine, front loader, 8 kg, 1400 rpm  
WAT28661GB**



**A+++**

**Washing machine with intelligent automatic dosing system: precision detergent dosing for perfect wash results.**

- **i-DOS System:** automatically measures the precise amount of detergent and water needed for each load.
- **WaveDrum:** gentle washing thanks to a unique drum structure.
- **Noise Level 49dB/74dB:** washes and spins at a supremely quiet speed.
- Easy operation with DirectSelect-Display and illuminated control dial for simple direct programme selection.
- **EcoSilence Drive™:** extremely energy-efficient and quiet in operation with a 10-year warranty.

**Technical Data**

Built-in / Free-standing :	Free-standing
Height of removable worktop (mm) :	848
Dimensions of the product (mm) :	848 x 598 x 590
Net weight (kg) :	71.135
Connection Rating (W) :	2300
Current (A) :	10
Voltage (V) :	220-240
Frequency (Hz) :	50
Approval certificates :	CE, VDE
Length electrical supply cord (cm) :	160
Washing performance class :	A
Door hinge :	Left
Wheels :	No
EAN code :	4242005030576
Capacity cotton (kg) - NEW (2010/30/EC) :	8.0
Energy efficiency class (2010/30/EC) :	A+++
Energy consumption annual (kWh/annum) - NEW (2010/30/EC) :	137.00
Power consumption in off-mode (W) - NEW (2010/30/EC) :	0.12
Power consumption in left-on mode - NEW (2010/30/EC) :	0.43
Water consumption annual (l/annum) - NEW (2010/30/EC) :	9900
Spin drying performance class :	B
Maximum spin speed (rpm) - NEW (2010/30/EC) :	1374
Average washing time cotton 40C (partial load) - NEW (2010/30/EC) :	225
Average washing time cotton 60C (full load) (min) - NEW (2010/30/EC) :	225
Average washing time cotton 60C (partial load) - NEW (2010/30/EC) :	225
Duration of the left-on mode - NEW (2012/30/EC) (min) :	20
Noise level washing (dB(A) re 1 pW) :	49
Noise level spinning (dB(A) re 1 pW) :	74
Installation typology :	Freestanding



## Serie | 6, washing machine, front loader, 8 kg, 1400 rpm WAT28661GB

### Washing machine with intelligent automatic dosing system: precision detergent dosing for perfect wash results.

#### Performance

- Energy Efficiency Class: A+++ at a range of energy efficiency classes from A+++ to D
- Capacity: 8 kg
- Maximum spin speed: 1400 rpm
- B spin class
- Energy consumption :137 kWh per year, based on 220 standard washing cycles
- -30% more economical (137kWh/year) than the standard value (217 kWh/year) of energy efficiency class A+++
- Energy consumption: standard 60 °C cotton programme 0.74 kwh full load and 0.7 kwh partial load and 40 °C cotton programme 0.35 kwh partial load
- Cottons 60 Eco and Cottons 40 Eco are the standard washing programmes to which the information in the label relates. These programmes are suitable to clean normally soiled cotton laundry and are the most efficient programmes in terms of combined energy and water consumption.
- Weighted power consumption off-mode / left-on mode: 0.12 W / 0.43 W
- Duration of the left-on mode: 20 min
- Water consumption 9900 litres per year, based on 220 standard washing cycles.
- Programme time:60 °C cotton programme 225 min at full load 225 min at partial load and 40 °C cotton programme 225 min partial load
- Drum volume: 63 litres
- Noise level washing : 49dB (A) re 1pW: Noise level spinning:74dB (A) re 1 pW

#### Programmes/functions

- Touch control buttons: start/pause with reload function, Prewash, Reduced Ironing option, Spin speed reduction, Temperature selection, SpeedPerfect, EcoPerfect, i-DOS 1, i-DOS 2, Aqua Plus, Rinse hold, Memory, Child lock and 24 h Start time delay
- Special programmes: Down Wear, Dark Wash, Shirts, Mixed Load, Automatic Gentle, Allergy +, Super Quick 15/30, Drum clean with reminder, rinse/spin/drain, Handwash/Wool, Delicate/Silk programme
- Sensor electronics with safeguard monitoring system that adjusts load and distribution and programme settings to protect clothes

#### Key features

- i-DOS: automatic dosing of liquid detergent and softener
- EcoBar Plus function: five possible levels of energy and water consumption
- VarioPerfect: speed or energy efficiency with perfect wash performance every time
- ActiveWater: water management system
- EcoSilence drive with 10 year warranty
- AntiVibration Design - for more stability and quietness
- Reload function / pause function

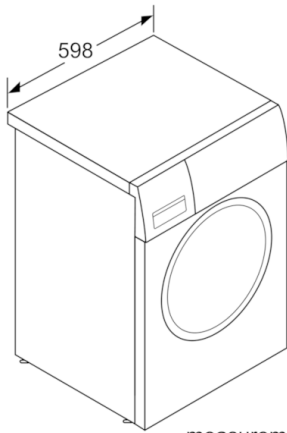
#### Additional features

- Large LED-Display for programme status indication, temperature selection, spin speed, remaining time and 24 hours end time delay, load recommendation and consumption indication
- Metal Control dial with integrated On / Off mode
- WaveDrum: gentle and efficient washing
- 3D AquaSpa wash system with cascade for faster water penetration
- Drum clean with reminder function
- Reload facility
- Easy cleaning detergent drawer
- Flow-through sensor for optimum water use
- Multiple Water Protection
- Continuous automatic load adjustment system
- Overdosage indication
- Foam detection system
- Child lock
- Buzzer
- Sound insulation by additional noise reduction material

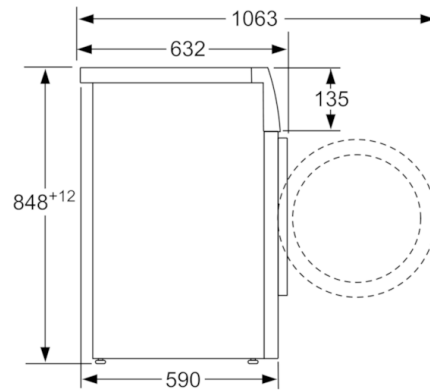
#### Technical Information

- Dimensions (H x W x D): 84.8 x 59.8 x 59 cm
- Slide-under installation
- Large silver-white door with 171° opening and 32cm porthole opening

**Serie | 6, washing machine, front loader, 8  
kg, 1400 rpm  
WAT28661GB**



measurements in mm



measurements in mm