

**Series 4, Washing machine, front loader, 8 kg, 1400 rpm  
WAN28151GB**



**Automatic washing machine with EcoSilence Drive™: quiet operation and durability that you can rely on.**

- **EcoSilence Drive™:** quiet and energy-efficient drive, with a 10-year warranty.
- **Speed Perfect:** get the perfect clean in up to 65% less time.
- **Easy-to-use LED display with touch control and many additional functions like start delay and remaining time.**
- **Programme for gentle cleaning of dark-coloured laundry, such as jeans.**
- **Reload function:** forgot an item? Add it easily to the wash.

**Technical Data**

Energy Efficiency Class: .....	C
Weighted energy consumption in kWh per 100 washing cycles of eco 40-60 programme: .....	63 kWh
Maximum capacity in kg: .....	8.0 kg
The water consumption of the eco programme in liters per cycle: .....	48 l
Duration of eco 40-60 programme in hours and mins at rated capacity: .....	3:35 h
Spin-drying efficiency class of eco 40-60 programme: .....	B
Airborne acoustical noise emission class: .....	B
Airborne acoustical noise emissions : .....	74 dB(A) re 1 pW
Built-in / Free-standing: .....	Free-standing
Dimensions of the product: .....	848 x 598 x 550 mm
Net weight: .....	68.1 kg
Connection rating: .....	2300 W
Fuse protection: .....	10 A
Voltage: .....	220-240 V
Frequency: .....	50 Hz
Length electrical supply cord: .....	210.0 cm
Door hinge: .....	Left
Wheels: .....	No
EAN code: .....	4242005221714
Installation typology: .....	Free-standing

**Optional accessories**

- WMZ2200 Floor securing component
- WMZ2381 Extension for cold water inlet /Aquastop
- WMZPW20W Platform with pull-out, washer, cubic



## Series 4, Washing machine, front loader, 8 kg, 1400 rpm WAN28151GB

### Automatic washing machine with EcoSilence Drive™: quiet operation and durability that you can rely on.

<sup>1</sup> Scale of Energy Efficiency Classes from A to G

<sup>2</sup> Energy consumption in kWh per 100 cycles (in programme Eco 40-60)

<sup>3</sup> Weighted water consumption in litres per cycle (in programme Eco 40-60)

<sup>4</sup> Duration of Eco 40-60 programme

\*\* Values are rounded.

#### Performance

- Energy Efficiency Class<sup>1</sup>: C
- Energy<sup>2</sup> / Water<sup>3</sup>: 63 kWh / 48 litres
- Load capacity: 1 - 8 kg
- Programme duration<sup>4</sup>: 3:35 h:min
- Spin drying efficiency class: B
- Spin speed<sup>\*\*</sup>: 400 - 1400 rpm
- Noise level: 74 dB (A) re 1 pW
- Noise efficiency class: B

#### Programmes/functions

- Touch control buttons: Prewash, Rinse Plus, Ready in, Temperature selection, SpeedPerfect, start/pause with reload function, Spin speed reduction
- Standard programmes: cottons, easy care, delicates, wool hand wash
- Special programmes: Rinse, Down Wear, Dark Wash, Shirts, SportsWear, Curtains 30°C, Mixed Load, Super Quick 15/30, Wool/Handwash, Delicate/Silk programme
- Sensor electronics with safeguard monitoring system that adjusts load and distribution and programme settings to protect clothes

#### Key features

- ActiveWater Plus: for highly efficient use of water even with small loads thanks to automatic load detection.
- Fully electronic control dial for all wash and special programmes
- SpeedPerfect: perfectly clean in up to 65% less time.
- Reload function: Be flexible in adding laundry items even after start of the wash cycle.
- EcoSilence drive with 10 year warranty
- AntiVibration Design - for more stability and quietness

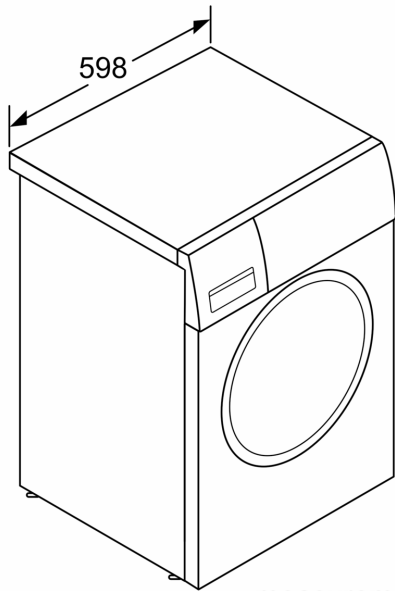
#### Additional features

- Large display for programme progress indication, spin speed, remaining time, 24 hour end time delay and load recommendation
- Aqua Protection
- Foam detection system
- Divider for Liquid Detergent
- Child lock
- Buzzer to indicate the end of cycle

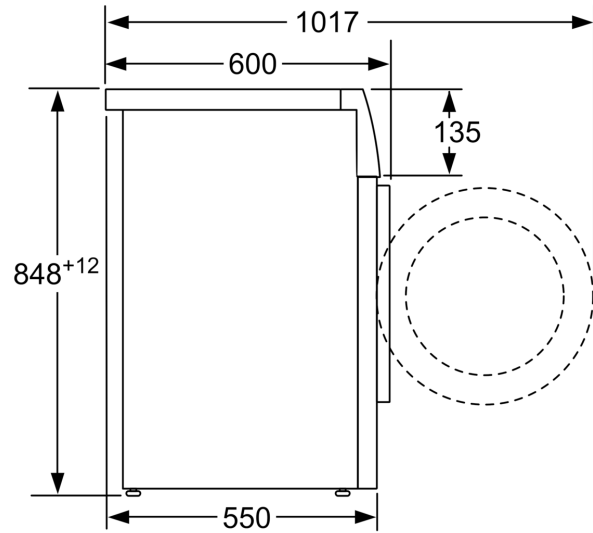
#### Technical Information

- Slide-under installation
- Large silver-white door with 180° opening and 32cm porthole opening
- Drum volume: 55 litres
- Dimensions (H x W): 84.8 cm x 59.8 cm
- Appliance depth: 55.0 cm
- Appliance depth incl. door: 60.0 cm
- Appliance depth with open door: 101.7 cm

**Series 4, Washing machine, front loader, 8 kg, 1400 rpm  
WAN28151GB**



measurements in mm



measurements in mm