

**Serie | 6, fully-integrated dishwasher,  
45 cm  
SPV66TX01E**



**Rely on PerfectDry for excellent drying results on challenging dishes, glassware and even plastic.**

- **PerfectDry based on Zeolith®:** perfect drying results with 3D Airflow even on plastic dishes.
- **Silence Programme:** the quietest way to run your dishwasher.
- **Glass 40°C:** gentle cleaning for your delicate glassware.
- **VarioDrawer:** Adjust parts of the basket to make space for more glasses and cutlery.
- **Rackmatic:** even more adjustment options and thus maximum flexibility.

**Technical Data**

Energy Efficiency Class: D

Energy Consumption for 100 cycles Eco Programme: 67 kWh

Maximum number of place settings: 10

The water consumption of the eco programme in liters per cycle: 9.5 l

Programme duration: 3:15 h

Airborne acoustical noise emissions : 43 dB(A) re 1 pW

Airborne acoustical noise emission class: B

Built-in / Free-standing: Built-in

Height of removable worktop: 0 mm

Dimensions of the product (HxWxD): 815 x 448 x 550 mm

Required niche size for installation (HxWxD): 815-875 x 450 x 550 mm

Approval certificates: CE, VDE

Depth with open door 90 degree: 1150 mm

Adjustable feet: Yes - all from front

Maximum adjustability feet: 60 mm

Net weight: 40.745 kg

Gross weight: 42.5 kg

Connection Rating: 2400 W

Fuse protection: 10 A

Voltage: 220-240 V

Frequency: 50; 60 Hz

Length electrical supply cord: 175 cm

Plug type: GARDY plug w/ earthing

Length inlet hose: 165 cm

Length outlet hose: 205 cm

EAN code: 4242005060085

Installation typology: Full-integrated



**Optional accessories**

SPZ5100 : Vario cutlery basket



## Serie | 6, fully-integrated dishwasher, 45 cm SPV66TX01E

### Rely on PerfectDry for excellent drying results on challenging dishes, glassware and even plastic.

#### Performance

- Noise level (silence programme): 41 dB(A) re 1 pW

#### Programmes/functions

- 6 programmes: Intensive 70 °C, Auto 45-65 °C, Eco 50 °C, Silence 50 °C, Short 60 °C, Glass 40 °C
- 3 special options: VarioSpeedPlus, HygienePlus, Extra Dry
- Special program 1: Machine Care
- 6 temperatures
- Zeolith - Energy efficient and perfect drying results

#### Flexible design elements

- high TP
- VarioFlex Pro basket system Basket system with red coloured touchpoints
- VarioDrawer
- 3 stage Rackmatic height-adjustable top basket
- Lower rack handle: BO s/s-middle grey-red
- 3 foldable plate racks in top basket
- 4 foldable plate racks in bottom basket
- Upper rack cup shelf
- Glass rack in bottom basket

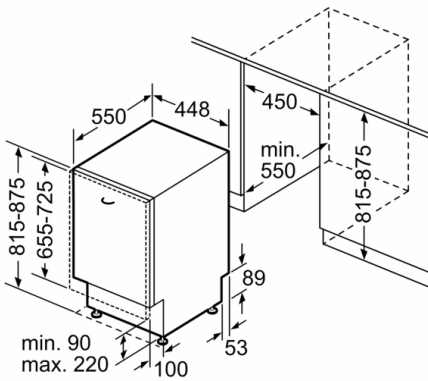
#### Innovations and technology

- Heat exchanger.
- DosageAssist detergent dispenser
- Automatic detergent detection
- ActiveWater hydraulic water system
- EcoSilence BLDC drive
- AquaSensor III, Load Sensor
- AquaMix - Glass protection system
- AquaStop: Bosch warranty in case of water damage - for the lifetime of the appliance. Please find warranty terms under <https://www.bosch-home.co.uk/customer-service/care-protection-and-parts/additional-warranties>
- DuoPower spray arm in upper basket

#### Design features

- Acoustic end of cycle indicator, TimeLight - White light projection on floor, Time remaining indicator (min), water inlet indicator
- Interior white emotion light
- Push button top edge controls
- Acoustic end of cycle indicator, Time remaining indicator (min), TimeLight - White light projection on floor, water inlet indicator
- TimeLight - White light projection on floor, Acoustic end of cycle indicator, Time remaining indicator (min), water inlet indicator
- Time delay (3, 6 or 24 hours)
- Stainless steel interior
- Display colour: Red LED indicators
- LED salt refill indicator, LED rinse aid refill indicator
- Alternating spray arms
- steam protection plate
- Self-cleaning filter system with 3 piece corrugated filter
- Acoustic end of cycle indicator
- Front-adjustable rear foot
- Dimensions (HxWxD): 81.5 x 44.8 x 55cm

**Serie | 6, fully-integrated dishwasher, 45 cm  
SPV66TX01E**



measurements in mm

