

**Series 2, fully-integrated dishwasher,  
45 cm  
SPV2HKX42G**



**Connected dishwasher with noise reduction at any time via the Home Connect App.**

- **ExtraDry:** extra drying option for difficult-to-dry loads.
- **Height Adjustable Top Basket:** offers extra space, especially for tall dishes.
- **InfoLight:** a red infolight on the floor indicates whether the dishwasher is switched on or off.
- **Silence on demand:** up to 30 min noise reduction at any time via the Home Connect App.
- **Home Connect:** home appliances with smart connectivity for an easier everyday life.

**Technical Data**

Energy Efficiency Class: ..... E  
 Energy Consumption for 100 cycles Eco Programme: ..... 76 kWh  
 Maximum number of place settings: ..... 10  
 The water consumption of the eco programme in liters per cycle: 8.9 l  
 Programme duration: ..... 3:40 h  
 Airborne acoustical noise emissions : .....46 dB(A) re 1 pW  
 Airborne acoustical noise emission class: .....C  
 Built-in / Free-standing: ..... Built-in  
 Height of removable worktop: ..... 0 mm  
 Dimensions of the product (HxWxD): .....815 x 448 x 550 mm  
 Min. required niche size for installation (HxWxD): ....815-875 x 450 x 550 mm  
 Depth with open door 90 degree: ..... 1150 mm  
 Adjustable feet: ..... Yes - all from front  
 Maximum adjustability feet: ..... 60 mm  
 Adjustable plinth: ..... Both horizontal and vertical  
 Net weight: .....27.1 kg  
 Gross weight: ..... 28.9 kg  
 Connection rating: ..... 2400 W  
 Fuse protection: .....10 A  
 Voltage: ..... 220-240 V  
 Frequency: ..... 50; 60 Hz  
 Length electrical supply cord: ..... 175.0 cm  
 Plug type: ..... GB plug  
 Length inlet hose: ..... 165 cm  
 Length outlet hose: ..... 205 cm  
 EAN code: .....4242005467310  
 Installation typology: ..... Integrated

**Optional accessories**

- |          |  |
|----------|--|
| SGZ0BI02 | decorative strips stainless steel 81,5cm |
| SGZ1010  | inlet and outlet hose extention          |
| SMZ5000  | Dishwashing aid set                      |
| SMZ5002  | Silver polishing cassette                |
| SMZ5003  | Retractable hinge f. high corpus dimens. |
| SMZ5300  | GlassSecure Tray                         |



## Series 2, fully-integrated dishwasher, 45 cm SPV2HKX42G

### Connected dishwasher with noise reduction at any time via the Home Connect App.

---

#### Performance

- Energy Efficiency Class<sup>1</sup>: E
- Energy<sup>2</sup> / Water<sup>3</sup>: 76 kWh / 8.9 litres
- Capacity: 10 place settings
- Programme duration<sup>4</sup>: 3:40 (h:min)
- Noise level: 46 dB(A) re 1 pW

#### Programmes / functions

- Noise Efficiency Class: C
- 5 programmes: Eco 50 °C, Auto 45-65°, Intensive 70 °C, Express 65°, Favourite
- Default favourite programme: Pre-Rinse
- 3 special options: Remote Start, Extra Dry, SpoD VarioSpeedPlus
- Add-On functions via Home Connect app: Hygiene+, Silence on Demand
- Machine Care Programme

#### Flexible design elements

- Vario baskets
- Height adjustable top basket
- Low friction wheels on lower basket
- Rack Stopper to prevent derailing of bottom basket
- 2 foldable plate racks in bottom basket
- Knife rack in top basket
- Variable cutlery basket in bottom basket
- Upper rack cup shelf

#### Innovations and technology

- Home Connect ready on WLAN
- Heat exchanger - Hygienic and efficient drying
- DosageAssist detergent dispenser
- EcoSilence BLDC drive
- Automatic detergent detection
- AquaSensor III
- AquaMix - Glass protection system

#### Design features

- Push button top edge controls
- InfoLight (Red) - Light projection on the floor
- DuoPower spray arm in upper basket
- Time delay (3, 6 or 9 hours)
- Acoustic end of cycle indicator
- Self-cleaning filter system with 3 piece corrugated filter
- steam protection plate
- AquaStop: Bosch's warranty in case of water damage - for the lifetime of the appliance. Please find warranty terms under <https://www.bosch-home.co.uk/customer-service/care-protection-and-parts/additional-warranties>
- Stainless steel interior
- Dimensions (HxWxD): 81.5 x 44.8 x 55cm

<sup>1</sup> Scale of Energy Efficiency Classes from A to G

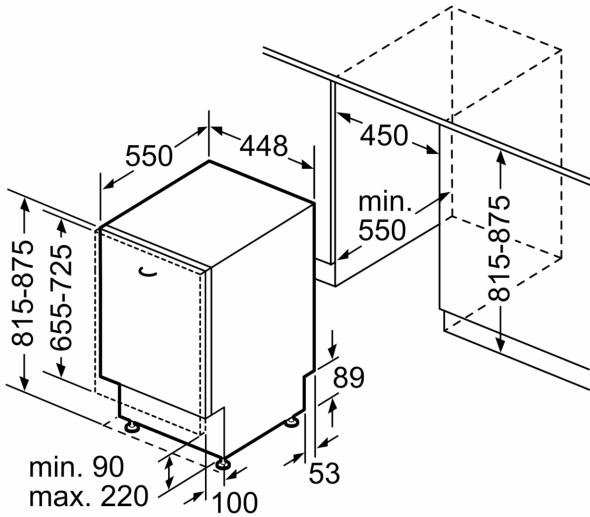
<sup>2</sup> Energy consumption in kWh per 100 cycles (in programme Eco 50 °C)

<sup>3</sup> Water consumption in litres per cycle (in programme Eco 50 °C)

<sup>4</sup> Duration of programme Eco 50 °C

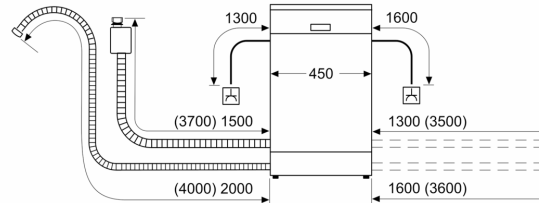


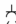
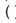
**Series 2, fully-integrated dishwasher,  
45 cm  
SPV2HKX42G**



measurements in mm

measurements in mm



 socket  
 values with extension kit