

IQ700, fully-integrated dishwasher, 60 cm SN87YX03CE



Give feedback on your washing results and duration of your washing cycle via the Home Connect App and the intelligent Programme will adapt to your needs.

- ✓ Home Connect – Control your smart dishwasher, no matter where you are.
- ✓ Intelligent Programme: customised dishwashing to suits your needs.
- ✓ flexComfort Pro – Easy-access dishwasher baskets that cradle your glassware.
- ✓ glassZone – Dedicated dishwasher zone that protects your glassware.
- ✓ Zeolith® drying – Quicker dishwasher drying that uses less energy.

Energy Efficiency Class: B
 Energy Consumption for 100 cycles Eco Programme: 65 kWh
 Maximum number of place settings: 14
 The water consumption of the eco programme in liters per cycle:
 9.5 l
 Programme duration: 3:55 h
 Airborne acoustical noise emissions : 43 dB(A) re 1 pW
 Airborne acoustical noise emission class: B
 Built-in / Free-standing: Built-in
 Height of removable worktop: 0 mm
 Dimensions of the product (HxWxD): 815 x 598 x 550 mm
 Min. required niche size for installation (HxWxD): ..815-875 x 600 x 550 mm
 Depth with open door 90 degree: 1150 mm
 Adjustable feet: Yes - all from front
 Maximum adjustability feet: 60 mm
 Adjustable plinth: Both horizontal and vertical
 Weight: 45.7 kg
 Gross weight: 47.5 kg
 Connection Rating: 2400 W
 Fuse protection: 10 A
 Nominal power: 220-240 V
 Frequency: 50; 60 Hz
 Repair index: 9.0
 Length electrical supply cord: 175.0 cm
 Plug type: GARDY plug w/ earthing
 Length inlet hose: 165 cm
 Length outlet hose: 190 cm
 EAN code: 4242003910856
 Installation type: Fully integrated



SZ30BI01	decorative strips stainless steel 81,5cm
SZ38BI00	Connection rail for divided furniture
SZ72010	inlet and outlet hose extension 2 m
SZ73000	Dishwashing aid set
SZ73001	Silver polishing cassette
SZ73010	Retractable hinge f. high corpus dimens.
SZ73035	panel strips, elevated install. 81,5cm
SZ73051EU	Mains cable with EU-Plug 5m
SZ73056	Attachment door, brushed steel
SZ73100	cutlery basket
SZ73300	Wineglass-Tray
SZ73640	Rack insert for stemware dishwasher

IQ700, fully-integrated dishwasher, 60 cm SN87YX03CE

Performance

- Energy Efficiency Class¹: B
- Energy² / Water³: 65 kWh / 9.5 litres
- Capacity: 14 place settings
- Programme duration⁴: 3:55 (h:min)
- Noise level: 43 dB(A) re 1 pW
- Noise Efficiency Class: B
- Noise level (silence programme): 41 dB(A) re 1 pW

Programmes/functions

- 8 Programmes: Eco 50 °C, Auto 45-65 °C, Intelligent 40 °C, Intensive 70 °C, Speed 60°, brilliantShine 40 °C, Silence 50 °C, Favourite
- Default favourite programme: Pre-Rinse
- 5 special options: Remote Start, Shine & Dry, IntensiveZone, Hygiene Plus, Speed on Demand - varioSpeed Plus
- Machine Care
- Silence on Demand (via app)

Flexible design elements

- flexComfort Pro baskets basket system with blue coloured touchpoints
- varioDrawer - loading of cutlery on 3rd level
- 3 stage rackMatic height-adjustable top basket
- easyGlide wheels on upper basket
- Low friction wheels on lower basket
- Anti-slip protection strips in upper basket
- Rack Stopper to prevent derailing of bottom basket
- 6 foldable plate racks in top basket
- 8 foldable plate racks in bottom basket
- Upper rack cup shelf
- Lower rack cup shelf
- Glass rack in bottom basket

Innovations and technology

- Home Connect ready
- glassZone
- Zeolith energy efficient drying
- autoOpen dry and Heat Exchanger
- dosageAssist detergent dispenser
- Automatic detergent aware system
- hydroSensor
- AquaMix - Glass protection system

Design features

- TFT display with high-definition colour
- Black touch control operation
- Controls on top edge of door
- Interior blue emotionLight
- Real-time clock
- timeLight - Light projection on the floor
- DoorOpen Assist for handleless kitchens

- Time delay (3, 6 or 24 hours)
- acoustic end of cycle indicator
- Childlock feature - double push door open
- aquaStop®: Siemens home appliances' warranty in case of water damage – throughout the lifetime of the appliance.*
- Self-cleaning filter system with 3 piece corrugated filter
- steam protection plate
- Stainless steel interior
- Dimensions (HxWxD): 81.5 x 59.8 x 55cm

¹ Scale of Energy Efficiency Classes from A to G

² Energy consumption in kWh per 100 cycles (in programme Eco 50 °C)

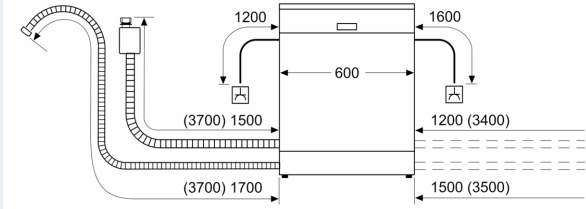
³ Water consumption in litres per cycle (in programme Eco 50 °C)

* Please find warranty terms under <https://www.siemens-home.bsh-group.com/uk/customer-service/warranty/additional-warranties>

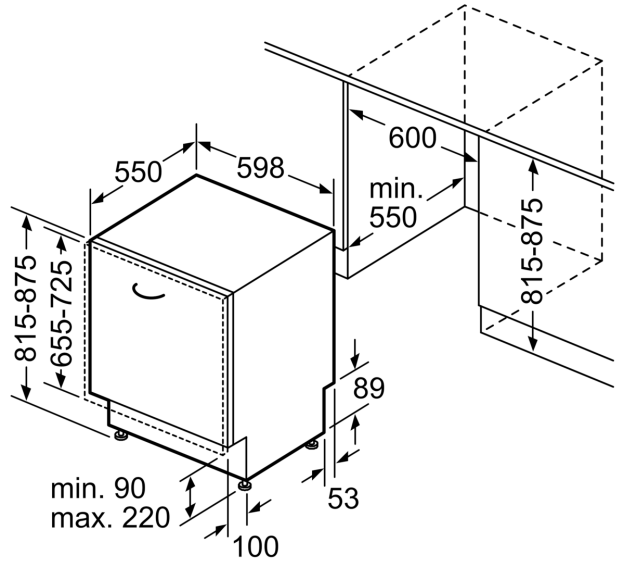
⁴ Duration of programme Eco 50 °C

**IQ700, fully-integrated
dishwasher, 60 cm
SN87YX03CE**

measurements in mm



socket
() values with extension kit



measurements in mm