

IQ100, fully-integrated dishwasher, 60 cm SN61HX02AG



Professional wifi-enabled dishwasher with program status projection on the floor, operable using a smartphone or voice assistant device.

- ✓ Home Connect – Control your smart dishwasher, no matter where you are.
- ✓ varioSpeed Plus – Wash and dry your dishes up to three times faster.
- ✓ Favourite button – Find your preferred dishwasher programmes faster.
- ✓ infoLight shines with a blue light on the kitchen floor when running but goes out when the washing and drying cycle is over.
- ✓ Remote Control: Easily select and start cleaning programs via Home Connect App.

Features

Technical Data

Energy Efficiency Class: D
 Energy Consumption for 100 cycles Eco Programme: 84 kWh
 Maximum number of place settings: 13
 The water consumption of the eco programme in liters per cycle: 9.5 l
 Programme duration: 4:55 h
 Airborne acoustical noise emissions : 48 dB(A) re 1 pW
 Airborne acoustical noise emission class: C
 Built-in / Free-standing: Built-in
 Height of removable worktop: 0 mm
 Dimensions of the product (HxWxD): 815 x 598 x 550 mm
 Min. required niche size for installation (HxWxD): .. 815-875 x 600 x 550 mm
 Depth with open door 90 degree: 1150 mm
 Adjustable feet: Yes - all from front
 Maximum adjustability feet: 60 mm
 Adjustable plinth: Both horizontal and vertical
 Weight: 34.1 kg
 Gross weight: 36.0 kg
 Connection Rating: 2400 W
 Fuse protection: 10 A
 Nominal power: 220-240 V
 Frequency: 50; 60 Hz
 Length electrical supply cord: 175.0 cm
 Plug type: GB plug
 Length inlet hose: 165 cm
 Length outlet hose: 190 cm
 EAN code: 4242003896457
 Installation type: Fully integrated



Optional accessories

SZ30BI01	decorative strips stainless steel 81,5cm
SZ38BI00	Connection rail for divided furniture
SZ72010	inlet and outlet hose extention 2 m
SZ73000	Dishwashing aid set
SZ73001	Silver polishing cassette
SZ73010	Retractable hinge f. high corpus dimens.
SZ73035	panel strips, elevated install. 81,5cm
SZ73056	Attachment door, brushed steel
SZ73300	Wineglass-Tray
SZ73640	Rack insert for stemware dishwasher

IQ100, fully-integrated dishwasher, 60 cm SN61HX02AG

Features

New for 2021

Performance

- Energy Efficiency Class¹: D
- Energy² / Water³: 84 kWh / 9.5 litres
- Capacity: 13 place settings
- Programme duration⁴: 4:55 (h:min)
- Noise level: 48 dB(A) re 1 pW
- Noise Efficiency Class: C

Programmes/functions

- 5 programmes: Eco 50 °C, Auto 45-65°, Intensive 70 °C, Speed 65 °C, Favourite
- Default favourite programme: Pre-Rinse
- 4 special options: Remote Start, intensiveZone, Half Load, Speed on Demand - varioSpeed Plus
- Machine care programme
- Silence on Demand (via app)

Flexible design elements

- flex basket system
- 3 stage rackMatic height-adjustable top basket
- Low friction wheels on lower basket
- Rack Stopper to prevent derailing of bottom basket
- 2 foldable plate racks in top basket
- 4 foldable plate racks in bottom basket
- Knife rack in top basket
- Cutlery basket in bottom basket
- Upper rack cup shelf

Innovations and technology

- Home Connect ready
- Heat exchanger.
- dosageAssist detergent dispenser
- iQDrive motor
- Automatic detergent aware system
- hydroSensor
- Glass care protection system

Design features

- Controls on top edge of door
- infoLight (blue) - Light projection on the floor
- Time delay (3, 6 or 9 hours)
- aquaStop®: Siemens home appliances' warranty in case of water damage – throughout the lifetime of the appliance.*
- Self-cleaning filter system with 3 piece corrugated filter
- steam protection plate
- Stainless steel interior
- Dimensions (HxWxD): 81.5 x 59.8 x 55cm

* Please find warranty terms under <https://www.siemens-home.bsh-group.com/uk/customer-service/warranty/additional-warranties>

¹ Scale of Energy Efficiency Classes from A to G

² Energy consumption in kWh per 100 cycles (in programme Eco 50 °C)

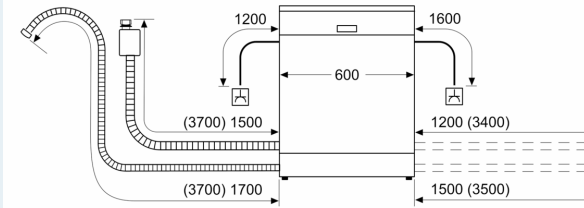
³ Water consumption in litres per cycle (in programme Eco 50 °C)

⁴ Duration of programme Eco 50 °C

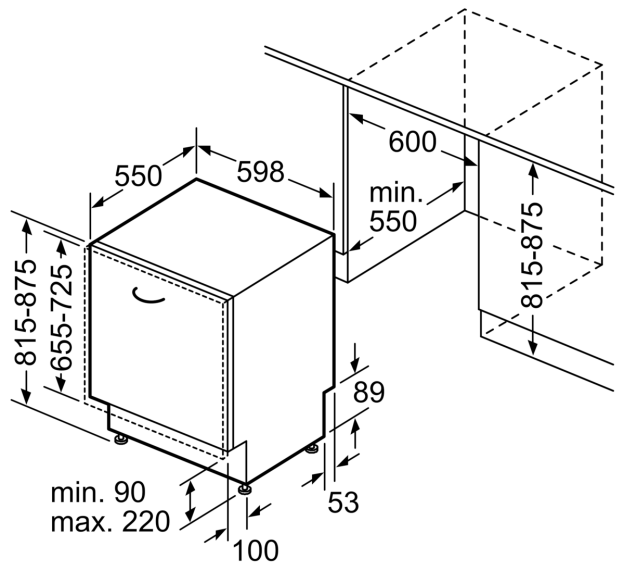
**IQ100, fully-integrated
dishwasher, 60 cm
SN61HX02AG**

Dimensioned drawings

measurements in mm



△ socket
() values with extension kit



measurements in mm