

**Series 6, fully-integrated dishwasher,
60 cm
SMV6ZCX01G**



PerfectDry dishwashers for best drying results with flexible and practical loading solutions for all your different styles of dishes.

- **Home Connect:** home appliances with smart connectivity for an easier everyday life.
- **PerfectDry:** perfect drying results using less energy – even with hard-to-dry items.
- **Favourite function:** personalized function by just one touch.
- **TimeLight:** program status and remaining time clearly displayed on floor in high resolution.
- **Flex baskets:** flexible and practical solution for easy loading.

Technical Data

Energy Efficiency Class: C
 Energy Consumption for 100 cycles Eco Programme: 75 kWh
 Maximum number of place settings: 14
 The water consumption of the eco programme in liters per cycle: 9.5 l
 Programme duration: 3:55 h
 Airborne acoustical noise emissions : 44 dB(A) re 1 pW
 Airborne acoustical noise emission class: B
 Built-in / Free-standing: Built-in
 Height of removable worktop: 0 mm
 Dimensions of the product (HxWxD): 815 x 598 x 550 mm
 Min. required niche size for installation (HxWxD): 815-875 x 600 x 550 mm
 Depth with open door 90 degree: 1150 mm
 Adjustable feet: Yes - all from front
 Maximum adjustability feet: 60 mm
 Adjustable plinth: Both horizontal and vertical
 Net weight: 46.2 kg
 Gross weight: 48.0 kg
 Connection rating: 2400 W
 Fuse protection: 10 A
 Voltage: 220-240 V
 Frequency: 50; 60 Hz
 Length electrical supply cord: 175.0 cm
 Plug type: GB plug
 Length inlet hose: 165 cm
 Length outlet hose: 190 cm
 EAN code: 4242005265244
 Installation typology: Integrated

Optional accessories

- | | |
|----------|--|
| SGZ0BI01 | decorative strips stainless steel 81,5cm |
| SGZ0IC00 | Small Item Clip for upper rack |
| SGZ1010 | inlet and outlet hose extention |
| SGZ8BI00 | Connection rail for divided furniture |
| SMZ2056 | Attachment door, stainless steel |
| SMZ5003 | Retractable hinge f. high corpus dimens. |
| SMZ5035 | Decor conversion kit, stainless steel |
| SMZ5100 | Vario-cutlery basket |
| SMZ5300 | GlassSecure Tray |



Series 6, fully-integrated dishwasher, 60 cm SMV6ZCX01G

PerfectDry dishwashers for best drying results with flexible and practical loading solutions for all your different styles of dishes.

New for 2021

Performance

- Energy Efficiency Class¹: C
- Energy² / Water³: 75 kWh / 9.5 litres
- Capacity: 14 place settings
- Programme duration⁴: 3:55 (h:min)
- Noise level: 44 dB(A) re 1 pW
- Noise Efficiency Class: B
- Noise level (silence programme): 42 dB(A) re 1 pW

Programmes / functions

- 6 programmes: Eco 50 °C, Auto 45-65 °C, Intensive 70 °C, Express 60 °C, Silence 50 °C, Favourite
- Default favourite programme: Pre-Rinse
- 4 special options: Remote Start, Extra Dry, Half Load, SpeedPerfect+
- Machine Care
- Silence on Demand (via app)

Flexible design elements

- Flex basket system
- Vario Drawer - loading of cutlery on 3rd level
- 3 stage Rackmatic height-adjustable top basket
- Low friction wheels on lower basket
- Rack Stopper to prevent derailing of bottom basket
- 2 foldable plate racks in top basket
- 2 foldable plate racks in bottom basket
- Upper rack cup shelf
- Lower rack cup shelf

Innovations and technology

- Home Connect ready on WLAN
- Zeolith - Energy efficient and perfect drying results
- Heat exchanger.
- DosageAssist detergent dispenser
- EcoSilence BLDC drive
- Automatic detergent detection
- AquaMix - Glass protection system
- AquaSensor III

Design features

- Push button top edge controls
- TimeLight - Light projection on the floor
- Acoustic end of cycle indicator, Time remaining indicator (min), water inlet indicator
- Time delay (3, 6 or 24 hours)
- AquaStop: Bosch's warranty in case of water damage - for the lifetime of the appliance. Please find warranty terms under <https://>

www.bosch-home.co.uk/customer-service/care-protection-and-parts/additional-warranties

- Self-cleaning filter system with 3 piece corrugated filter
- Large item spray head, steam protection plate
- Stainless steel interior
- Dimensions (HxWxD): 81.5 x 59.8 x 55cm

¹ Scale of Energy Efficiency Classes from A to G

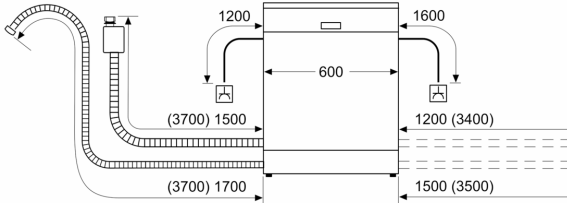
² Energy consumption in kWh per 100 cycles (in programme Eco 50 °C)

³ Water consumption in litres per cycle (in programme Eco 50 °C)

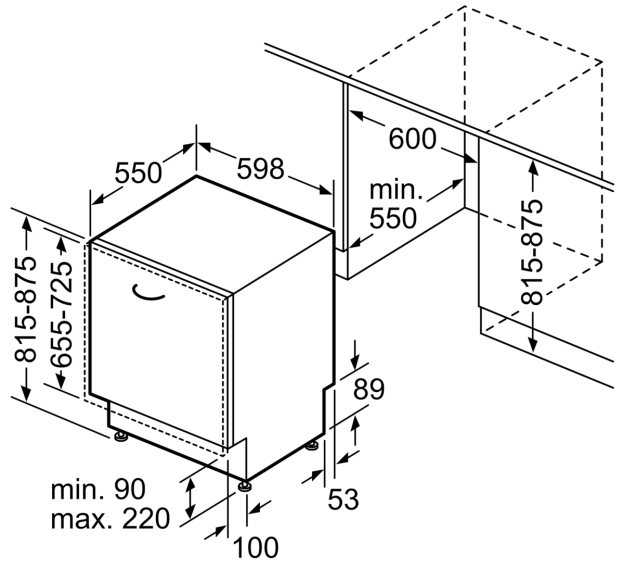
⁴ Duration of programme Eco 50 °C

**Series 6, fully-integrated dishwasher,
60 cm
SMV6ZCX01G**

measurements in mm



socket
() values with extension kit



measurements in mm