

**Serie | 6, fully-integrated dishwasher,
60 cm
SMV68MD01G**



**Exceptionally quiet dishwasher
SuperSilence Plus with Silence program.**

- **ExtraDry:** extra drying option for difficult-to-dry loads.
- **Silence Programme:** the quietest way to run your dishwasher.
- **Glass 40°C:** gentle cleaning for your delicate glassware.
- **VarioDrawer:** 3rd level loading for cutlery and smaller kitchen utensils.
- **Rackmatic:** even more adjustment options and thus maximum flexibility.

Technical Data

Energy Efficiency Class: E
 Energy Consumption for 100 cycles Eco Programme: 95 kWh
 Maximum number of place settings: 14
 The water consumption of the eco programme in liters per cycle: 9.5 l
 Programme duration: 3:15 h
 Airborne acoustical noise emissions : 39 dB(A) re 1 pW
 Airborne acoustical noise emission class: B
 Built-in / Free-standing: Built-in
 Height of removable worktop: 0 mm
 Dimensions of the product (HxWxD): 815 x 598 x 550 mm
 Required niche size for installation (HxWxD): 815-875 x 600 x 550 mm
 Approval certificates: CE, VDE
 Depth with open door 90 degree: 1150 mm
 Adjustable feet: Yes - all from front
 Maximum adjustability feet: 60 mm
 Net weight: 46.7 kg
 Gross weight: 49.0 kg
 Connection Rating: 2400 W
 Fuse protection: 10 A
 Voltage: 220-240 V
 Frequency: 50; 60 Hz
 Length electrical supply cord: 175 cm
 Plug type: GB plug
 Length inlet hose: 165 cm
 Length outlet hose: 190 cm
 EAN code: 4242005041541
 Installation typology: Full-integrated

Optional accessories

SMZ5035 : Decor conversion kit, stainless steel



Serie | 6, fully-integrated dishwasher, 60 cm SMV68MD01G

Exceptionally quiet dishwasher SuperSilence Plus with Silence program.

Performance

- Energy Efficiency Class¹: E
- Energy² / Water³: 95 kWh / 9.5 litres
- Capacity: 14 place settings
- Programme duration⁴: 3:15 (h:min)
- Noise level: 39 dB(A) re 1 pW
- Noise Efficiency Class: B
- Noise level (silence programme): 37 dB(A) re 1 pW

Programmes/functions

- 8 programmes: Intensive 70 °C, Auto 45-65 °C, Eco 50 °C, Silence, Glass 40 °C, 1h 65 °C, Quick 45 °C, Prerinse
- 4 special options: Intensive Zone, VarioSpeedPlus, Hygiene+, Extra Dry
- Special program 1: Machine Care
- 5 temperatures

Flexible design elements

- VarioFlex basket system Basket system with red coloured touchpoints
- Lower rack handle: BO plastic-middle grey-red
- VarioDrawer - loading of cutlery on 3rd level
- 3 stage Rackmatic height-adjustable top basket
- 2 foldable plate racks in top basket
- 4 foldable plate racks in bottom basket
- Upper rack cup shelf

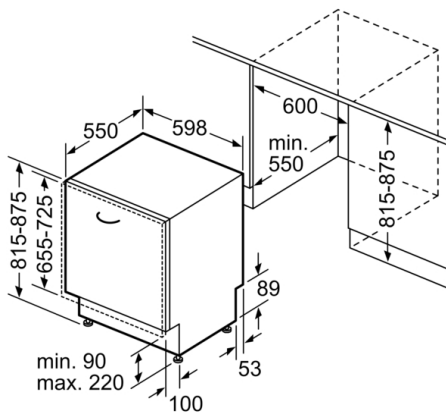
Innovations and technology

- DoorOpen Assist - perfectly designed for kitchens without handles
- Heat exchanger.
- DosageAssist detergent dispenser
- Automatic detergent detection
- ActiveWater hydraulic water system
- EcoSilence BLDC drive
- AquaSensor III, Load Sensor
- AquaMix - Glass protection system
- AquaStop: Bosch's warranty in case of water damage - for the lifetime of the appliance. Please find warranty terms under <https://www.bosch-home.co.uk/customer-service/care-protection-and-parts/additional-warranties>
- Curved spray arms

Design features

- Touch Control (Metallic)
 - Push button top edge controls
 - Acoustic end of cycle indicator, Time remaining indicator (min), TimeLight - White light projection on floor, water inlet indicator
 - TimeLight - White light projection on floor, Acoustic end of cycle indicator, Time remaining indicator (min), water inlet indicator
 - Time delay (3, 6 or 24 hours)
 - ChildLock - double push to open
 - Stainless steel interior
 - Display colour: red/white
 - LED salt refill indicator, LED rinse aid refill indicator
 - Alternating spray arms
 - Large item spray head, steam protection plate
 - Self-cleaning filter system with 3 piece corrugated filter
 - Acoustic end of cycle indicator
 - Front-adjustable rear foot
 - Dimensions (HxWxD): 81.5 x 59.8 x 55cm
- ¹ Scale of Energy Efficiency Classes from A to G
² Energy consumption in kWh per 100 cycles (in programme Eco 50 °C)
³ Water consumption in litres per cycle (in programme Eco 50 °C)
⁴ Duration of programme Eco 50 °C

**Serie | 6, fully-integrated dishwasher, 60 cm
SMV68MD01G**



measurements in mm

