

**Series 4, fully-integrated dishwasher,
60 cm
SMV4HTX00G**



**Flexible loading and smart remote control
of your dishwasher via the Home Connect
app.**

- **ExtraDry:** extra drying option for difficult-to-dry loads.
- **InfoLight:** a red infolight on the floor indicates whether the dishwasher is switched on or off.
- **VarioFlex baskets:** easily adjustable to create more space for your dishes.
- **Rackmatic:** even more adjustment options and thus maximum flexibility.
- **Home Connect:** home appliances with smart connectivity for an easier everyday life.

Technical Data

Energy Efficiency Class:D
 Energy Consumption for 100 cycles Eco Programme: 84 kWh
 Maximum number of place settings: 13
 The water consumption of the eco programme in liters per cycle: 9.0 l
 Programme duration: 4:30 h
 Airborne acoustical noise emissions :46 dB(A) re 1 pW
 Airborne acoustical noise emission class:C
 Built-in / Free-standing: Built-in
 Height of removable worktop: 0 mm
 Dimensions of the product (HxWxD):815 x 598 x 550 mm
 Min. required niche size for installation (HxWxD):815-875 x 600 x 550 mm
 Depth with open door 90 degree: 1150 mm
 Adjustable feet: Yes - all from front
 Maximum adjustability feet: 60 mm
 Adjustable plinth: Both horizontal and vertical
 Net weight:33.0 kg
 Gross weight: 35.1 kg
 Connection rating: 2400 W
 Fuse protection:10 A
 Voltage: 220-240 V
 Frequency: 50; 60 Hz
 Length electrical supply cord: 175.0 cm
 Plug type: GB plug
 Length inlet hose: 165 cm
 Length outlet hose: 190 cm
 EAN code: 4242005470334
 Installation typology: Integrated

Optional accessories

SMZ5300	GlassSecure Tray
SGZ0BI02	decorative strips stainless steel 81,5cm
SGZ1010	inlet and outlet hose extention
SGZ8BI00	Connection rail for divided furniture
SMZ2014	Rack insert for stemware dishwasher
SMZ2056	Attachment door, stainless steel
SMZ5000	Dishwashing aid set
SMZ5002	Silver polishing cassette
SMZ5003	Retractable hinge f. high corpus dimens.



Series 4, fully-integrated dishwasher, 60 cm SMV4HTX00G

Flexible loading and smart remote control of your dishwasher via the Home Connect app.

Performance

- Energy Efficiency Class¹: D
- Energy² / Water³: 84 kWh / 9 litres
- Capacity: 13 place settings
- Programme duration⁴: 4:30 (h:min)
- Noise level: 46 dB(A) re 1 pW
- Noise Efficiency Class: C

Programmes / functions

- 6 programmes: Eco 50 °C, Auto 45-65 °C, Intensive 70 °C, Express 65°, Glass 40 °C, Favourite
- Default favourite programme: Pre-Rinse
- 4 special options: Remote Start, Extra Dry, Half Load, SpeedPerfect+
- Add-On functions via Home Connect app: Hygiene+, Silence on Demand
- Machine Care

Flexible design elements

- Vario Flex baskets
- 3 stage Rackmatic height-adjustable top basket
- Low friction wheels on lower basket
- Rack Stopper to prevent derailing of bottom basket
- 2 foldable plate racks in top basket
- 4 foldable plate racks in bottom basket
- Knife rack in top basket
- Moveable cutlery basket in lower rack
- Upper rack cup shelf

Innovations and technology

- Home Connect ready on WLAN
- Heat exchanger - Hygienic and efficient drying
- DosageAssist detergent dispenser
- EcoSilence BLDC drive
- Automatic detergent detection
- AquaSensor III
- AquaMix - Glass protection system

Design features

- Push button top edge controls
- InfoLight (Red) - Light projection on the floor
- Time delay (3, 6 or 24 hours)
- Acoustic end of cycle indicator
- AquaStop: Bosch's warranty in case of water damage - for the lifetime of the appliance. Please find warranty terms under <https://www.bosch-home.co.uk/customer-service/care-protection-and-parts/additional-warranties>
- Self-cleaning filter system with 3 piece corrugated filter
- steam protection plate
- Stainless steel/Polinox interior
- Dimensions (HxWxD): 81.5 x 59.8 x 55cm

¹ Scale of Energy Efficiency Classes from A to G

² Energy consumption in kWh per 100 cycles (in programme Eco 50 °C)

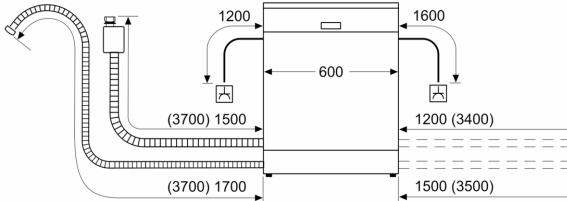
³ Water consumption in litres per cycle (in programme Eco 50 °C)



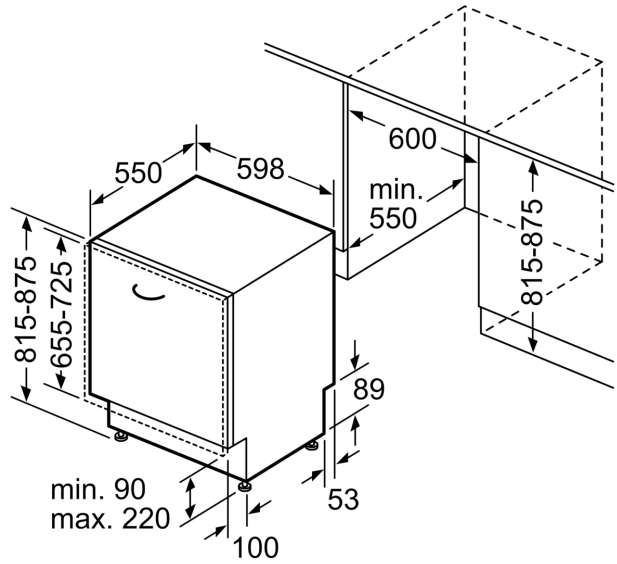
⁴ Duration of programme Eco 50 °C

**Series 4, fully-integrated dishwasher,
60 cm
SMV4HTX00G**

measurements in mm



⏏ socket
() values with extension kit



measurements in mm