

**Series 4, fully-integrated dishwasher,
60 cm, Variable hinge for special
installation situations
SMH4HVX00G**



**Flexible loading and smart remote control
of your VarioHinge dishwasher via the
Home Connect app. VarioHinge the
perfect solution for installations with low
plinth heights and high built-in situations.**

- **VarioHinge** - The perfect solution for installations with limited clearance between the bottom of the door and the plinth.
- **ExtraDry**: extra drying option for difficult-to-dry loads.
- **InfoLight**: a red infolight on the floor indicates whether the dishwasher is switched on or off.
- **VarioFlex-baskets and VarioDrawer**: enhanced flexibility options with more space on all levels.
- **Home Connect**: home appliances with smart connectivity for an easier everyday life.

- SGZ0BI02 decorative strips stainless steel 81,5cm
- SGZ1010 inlet and outlet hose extention
- SGZ8BI00 Connection rail for divided furniture
- SMZ2014 Rack insert for stemware dishwasher
- SMZ5000 Dishwashing aid set
- SMZ5100 Vario-cutlery basket
- SMZ5300 GlassSecure Tray

Energy Efficiency Class:D
 Energy Consumption for 100 cycles Eco Programme: 85 kWh
 Maximum number of place settings: 14
 The water consumption of the eco programme in liters per cycle: 9.0 l
 Programme duration: 4:30 h
 Airborne acoustical noise emissions :46 dB(A) re 1 pW
 Airborne acoustical noise emission class:C
 Built-in / Free-standing: Built-in
 Height of removable worktop: 0 mm
 Dimensions of the product (HxWxD):815 x 598 x 550 mm
 Min. required niche size for installation (HxWxD):815-875 x 600 x 550 mm
 Depth with open door 90 degree: 1150 mm
 Adjustable feet: Yes - all from front
 Maximum adjustability feet: 60 mm
 Adjustable plinth: Both horizontal and vertical
 Net weight: 34.6 kg
 Gross weight: 36.8 kg
 Connection rating: 2400 W
 Fuse protection: 10 A
 Voltage: 220-240 V
 Frequency: 50; 60 Hz
 Length electrical supply cord: 175.0 cm
 Plug type: GB plug
 Length inlet hose: 165 cm
 Length outlet hose: 190 cm
 EAN code: 4242005470358
 Installation typology: Integrated



Series 4, fully-integrated dishwasher, 60 cm, Variable hinge for special installation situations SMH4HVX00G

**Flexible loading and smart remote control
of your VarioHinge dishwasher via the
Home Connect app. VarioHinge the
perfect solution for installations with low
plinth heights and high built-in situations.**

Performance

- Energy Efficiency Class¹: D
- Energy² / Water³: 85 kWh / 9 litres
- Capacity: 14 place settings
- Programme duration⁴: 4:30 (h:min)
- Noise level: 46 dB(A) re 1 pW
- Noise Efficiency Class: C

Programmes / functions

- 6 programmes: Eco 50 °C, Auto 45-65 °C, Intensive 70 °C, Express 65°, Glass 40 °C, Favourite
- Default favourite programme: Pre-Rinse
- 4 special options: Remote Start, Extra Dry, Half Load, SpeedPerfect+
- Add-On functions via Home Connect app: Hygiene+, Silence on Demand
- Machine Care

Flexible design elements

- Vario Flex baskets
- Vario Drawer - loading of cutlery on 3rd level
- 3 stage Rackmatic height-adjustable top basket
- Low friction wheels on lower basket
- Rack Stopper to prevent derailing of bottom basket
- 2 foldable plate racks in top basket
- 4 foldable plate racks in bottom basket
- Upper rack cup shelf

Innovations and technology

- Home Connect ready on WLAN
- Heat exchanger - Hygienic and efficient drying
- DosageAssist detergent dispenser
- EcoSilence BLDC drive
- Automatic detergent detection
- AquaSensor III
- AquaMix - Glass protection system

Design features

- VarioHinge 50mm
- Push button top edge controls
- InfoLight (Red) - Light projection on the floor
- Time delay (3, 6 or 24 hours)
- Acoustic end of cycle indicator
- AquaStop: Bosch's warranty in case of water damage - for the lifetime of the appliance. Please find warranty terms under <https://www.bosch-home.co.uk/customer-service/care-protection-and-part>

s/additional-warranties

- steam protection plate
- Self-cleaning filter system with 3 piece corrugated filter
- Stainless steel/Polinox interior
- Dimensions (HxWxD): 81.5 x 59.8 x 55cm

¹ Scale of Energy Efficiency Classes from A to G

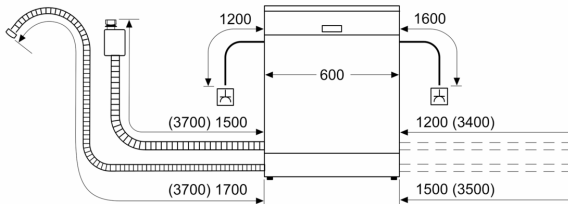
² Energy consumption in kWh per 100 cycles (in programme Eco 50 °C)

³ Water consumption in litres per cycle (in programme Eco 50 °C)

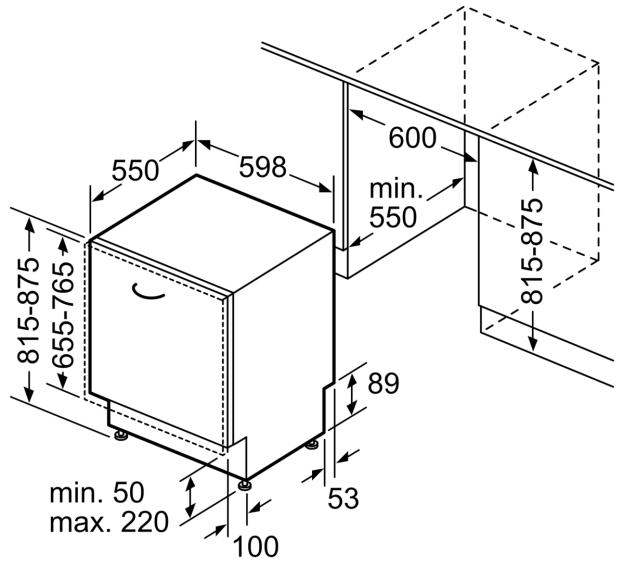
⁴ Duration of programme Eco 50 °C

**Series 4, fully-integrated dishwasher,
60 cm, Variable hinge for special
installation situations
SMH4HVX00G**

measurements in mm



⚡ socket
() values with extension kit



measurements in mm