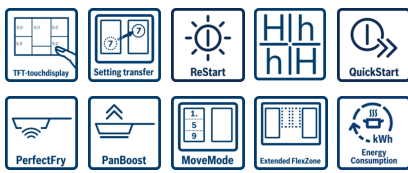
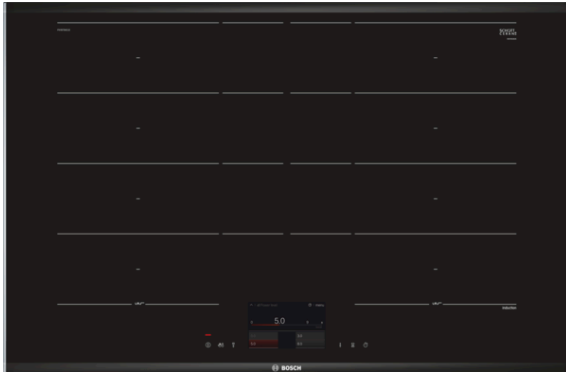


Serie | 8
PXY875KE1E
816 mm

Included accessories

1 x adjustment strip 750 - 780 mm

Optional accessories

 HEZ390012 : Steaming Rack for Stainless Steel roaste
 HEZ390042 : Set of 3 pots and 1 pan
 HEZ390512 : Teppan Yaki (large)
 HEZ390522 : Griddle Plate

The induction hob with PerfectCook and PerfectFry: achieve optimal results thanks to automatic temperature control.

- **TFT-touchdisplay:** Clear text and pictures allow simple operation of the integrated touchdisplay.
- **PerfectFry:** For perfect browning of roasted foods thanks to sensor control with 5 power levels.
- **PerfectCook:** the sensor which can be adjusted, prevents overcooking and boiling over by precise controlling the cooking temperature.
- **Assist:** Automatic setting of the ideal power level recommendation of and cooking time for countless dishes.
- **Expanded FlexInduction Zone:** Even more flexibility by connecting the cooking zones into one big zone, which you can make even larger for the big pots.
- **ComfortProfil:** Elegant, appealing design with bevelled front and metal strips on the side.
- **Timer with switch-off function:** Turns off the assigned cooking zone after the set time.
- **Induction:** Fast, precise cooking, easy cleaning and low energy consumption.
- **PowerBoost:** Up to 50% more power for faster heating.

Technical Data

Product name/family :	Cooking zone ceramic
Construction type :	Built-in
Energy input :	Electric
Total number of positions that can be used at the same time :	4
Required niche size for installation (HxWxD) :	51 x 750-780 x 490-500
Appliance Width (mm) :	816
Dimensions of the product (mm) :	51 x 816 x 527
Dimensions of the packed product (HxWxD) (mm) :	126 x 953 x 603
Net weight (kg) :	18.828
Gross weight (kg) :	20.0
Residual heat indicator :	Separate
Location of control panel :	Hob front
Color of surface :	Alu, brushed, Black
Color of frame :	Alu, brushed
Approval certificates :	AENOR, CE
Length electrical supply cord (cm) :	110
EAN code :	4242002858241
Electrical connection rating (W) :	7400
Voltage (V) :	220-240
Frequency (Hz) :	50; 60



4 242002 858241

Serie | 8 Hobs

PXY875KE1E

816 mm

The induction hob with PerfectCook and PerfectFry: achieve optimal results thanks to automatic temperature control.

Design

- Profile trim (front facette with side trim)
- Can be installed with a Bosch domino hob

Special features

- 4 induction cooking zones
- MoveMode (3 levels)
- extended FlexInduction zone
- FullTouch TFT Display
- BoschAssist
-
- Variable 17-stage power settings for each zone
- Timer for all zones
 - Timer - shows how long the cooktop is in use
 - Count up timer per cooktop
- Automatic setting transfer
- Automatic pan recognition sensor
 - Power management options for 16A, 13A or 10A connection
 - Safety cut-out switch-off
 - Control panel lock
 - Control panel lock function
- ReStart function
- Energy consumption display
- Cable included
- Connection cable (1.1 M)
- Connected load: 7.4 kW

Power and size:

- Cooking zones: 1 x Ø 400 mmx230 mm, 3.3 KW (max. Power levels 3.7 KW) Induction or 2 x Ø 200 mm, 2.2 KW (max. Power levels 3.7 KW) Induction; 1 x Ø 400 mmx230 mm, 3.3 KW (max. Power levels 3.7 KW) Induction or 2 x Ø 200 mm, 2.2 KW (max. Power levels 3.7 KW) Induction
- Min. worktop thickness: 30 mm

Safety Features

- 2 stage residual heat indicator for each zone
- Main on/off switch

Control:

- PerfectCook sensor ready (sensor sold separately)
- PerfectFry sensor with 5 temperature settings

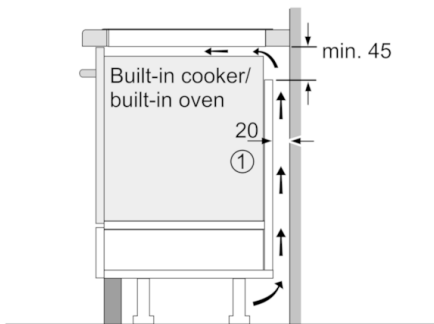
Quickness:

- PowerBoost function for all zones
- PanBoost

Serie | 8 Hobs

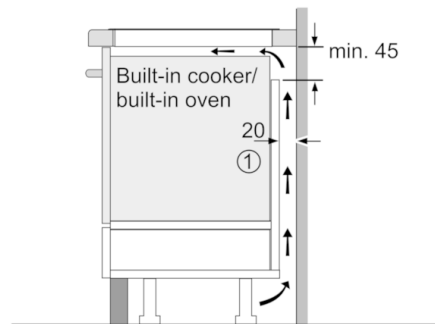
PXY875KE1E

816 mm



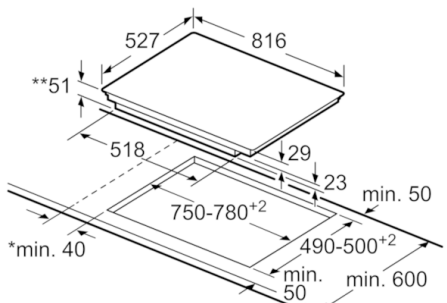
① Ventilation gap must be present

All measurements in mm



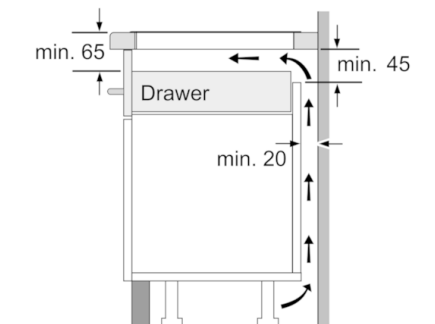
① Ventilation gap must be present

All measurements in mm

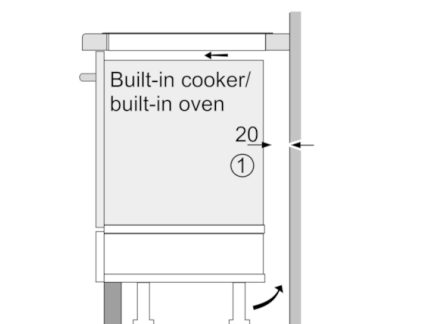


* Minimum distance from the hob cut-out to the wall
 ** Recessed depth
 *** With fitted oven underneath min. 30, possibly more; see space requirements for the oven

measurements in mm

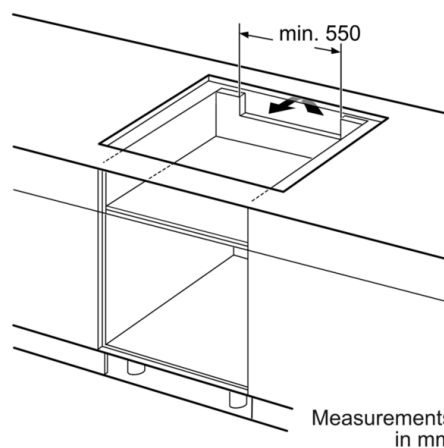


Measurements in mm



① Ventilation gap must be present.

Measurements in mm



Measurements in mm