

**Series 4, Gas hob, 60 cm, Tempered glass, Black  
PNP6B6B90**



**Optional accessories**

- HEZ298105 Simmer plate
- HEZ298114 Small pot support

**The gas hob with front-mounted controls:  
the desired cooking zones can be  
conveniently operated from the front.**

- **Semi-continuous cast-iron pan support:** for high stability and easy cleaning.
- **Biomethane-ready:** your gas hob can also be powered with renewable biomethane gas.
- **Sword knobs:** for an ergonomic control.
- **Surface colour:** elegant black tempered-glass design.

**Technical Data**

Product name/family: .....gas hob w integrated controls  
 Built-in / Free-standing: ..... Built-in  
 Energy input: .....Gas  
 Number of cooking zones: .....4  
 Type of control setting devices: .....sword knobs  
 Min. required niche size for installation (HxWxD): .....45 x 560-562 x 480-492 mm  
 Width of the appliance: .....590 mm  
 Dimensions: .....56 x 590 x 520 mm  
 Dimensions of the packed product (HxWxD): .....141 x 651 x 578 mm  
 Net weight: .....13.1 kg  
 Gross weight: .....14.0 kg  
 Residual heat indicator: .....without  
 Location of control panel: .....Front  
 Basic surface material: .....Tempered glass  
 Color of surface: .....Black  
 Color of frame: .....Black  
 Length electrical supply cord: .....100.0 cm  
 EAN code: .....4242005134311  
 Gas connection rating: .....7500 W  
 Fuse protection: .....3 A  
 Voltage: .....220-240 V  
 Frequency: .....50; 60 Hz



## **Series 4, Gas hob, 60 cm, Tempered glass, Black PNP6B6B90**

**The gas hob with front-mounted controls:  
the desired cooking zones can be  
conveniently operated from the front.**

---

### **Design**

- Tempered glass surface, Black
- frameless: install the hob either flush or slightly raised on the worktop
- Cast iron pan supports with rubber feet

### **Usage convenience**

- Design co-ordinated control dials: easily access dials in front with strong grip for effortless turning.
- Ignition via control dials: just push and turn the dials to ignite the flame.

### **Burners and power**

- 4 gas burners
- Left front: Standard burner up to 1.75 KW (depending on gas type)
- Left rear: Standard burner up to 1.75 KW (depending on gas type)
- Right rear: High-speed burner up to 3 KW (depending on gas type)
- Right front: Economy burner up to 1 KW (depending on gas type)

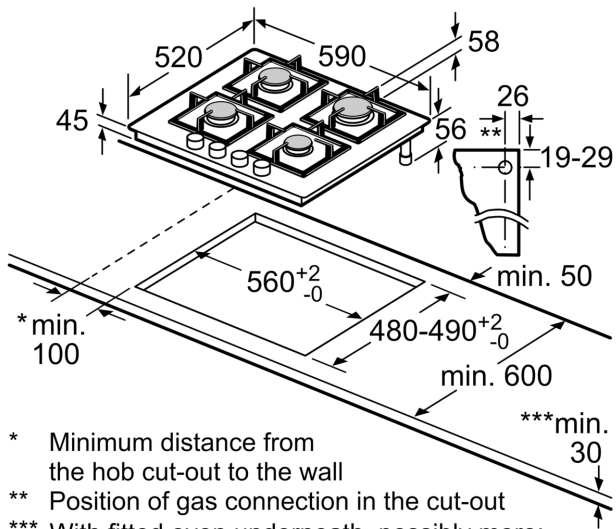
### **Safety**

- Flame failure safety device: prevents unwanted gas flow when flame goes out.

### **Installation (gas types & measurements)**

- Usable for: Nat gas L/LL G25/20mbar(DE)
- NG H/E 20mbar, E+ 20/25mbar Natural gas H 25 mbar (HU) Natural gas L 25 mbar (NL) Liquid gas G30,31 28-30/37mbar Liquid gas G30 37 mbar (PL) Liquid gas 50 mbar
- Pre-set for natural gas
- Nozzle set for LPG jets included. Connection to 28-30/37 mbar bottled gas. Nozzles for all other gas types can be ordered via the customer service. For nozzle change, please contact the customer service.
- Dimensions of the product (HxWxD mm): 56 x 590 x 520
- Required niche size for installation (HxWxD mm) : 45 x 560 x (480 - 492)
- Min. worktop thickness: 30 mm
- Power cord: 1 m
- Connected load: 7.5 KW

**Series 4, Gas hob, 60 cm, Tempered glass, Black  
PNP6B6B90**



- \* Minimum distance from the hob cut-out to the wall
  - \*\* Position of gas connection in the cut-out
  - \*\*\* With fitted oven underneath, possibly more; see space requirements for the oven
- measurements in mm