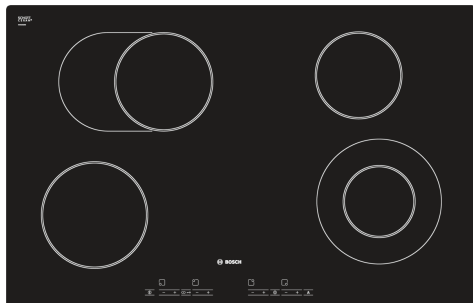


Electric hob, 80 cm, Black, PKN811E14E



Optional accessories

HEZ390010	Stainless steel roaster
HEZ390090	Wok Set consisting of 3 Items
HEZ392800	Intermediate bottom

- **RoasterZone:** An extra cooking zone you can switch on for larger cookware e.g. roasters.
- **The handy ChildLock locks the control panel to prevent accidental changes in settings.**
- **TouchSelect: Selection of the desired cooking zone and easy setting of the desired power level.**

Technical Data

Product name/family: Cooking zone ceramic
Built-in / Free-standing: Built-in
Energy input: Electric
Number of cooking zones: 4
Type of control setting devices: TouchControl Basic
Min. required niche size for installation (HxWxD): 45 x 750-750 x 490-490 mm
Width of the appliance: 802 mm
Dimensions: 45 x 802 x 522 mm
Dimensions of the packed product (HxWxD): ... 100 x 1220 x 600 mm
Net weight: 10.8 kg
Gross weight: 12.5 kg
Residual heat indicator: Separate
Location of control panel: Front
Basic surface material: Ceramic glass
Color of surface: Black
EAN code: 4242002477336
Voltage: 220-240 V
Frequency: 50; 60 Hz



Electric hob, 80 cm, Black, PKN811E14E

Key Information

- Electronic control
- Digital display
- Safety cut-out switch-off
- Control panel lock

Design

- 802 mm
- Front controls
- Touch control
- Frameless design

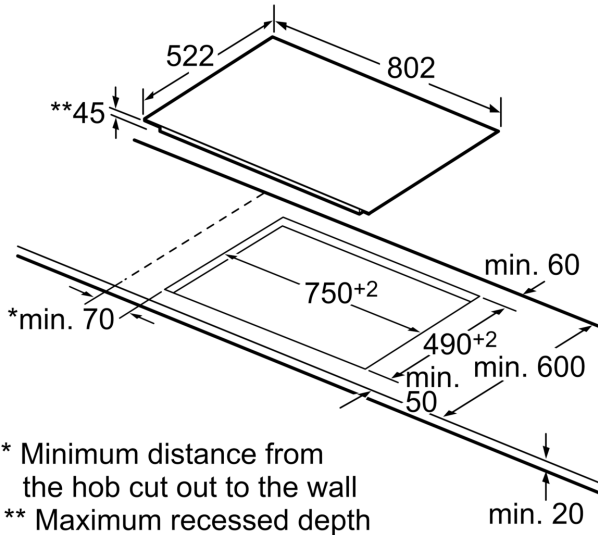
Features

- Variable 17-stage power settings for each zone
- Main on/off switch
- Power on indicator via on/off switch
- 2 stage residual heat indicator for each zone
- Automatic boil start

Performance/technical information

- 4 zone Quick-Therm hob
- 2 dual/extendable zones

**Electric hob, 80 cm, Black,
PKN811E14E**



- * Minimum distance from the hob cut out to the wall
- ** Maximum recessed depth

All measurements in mm