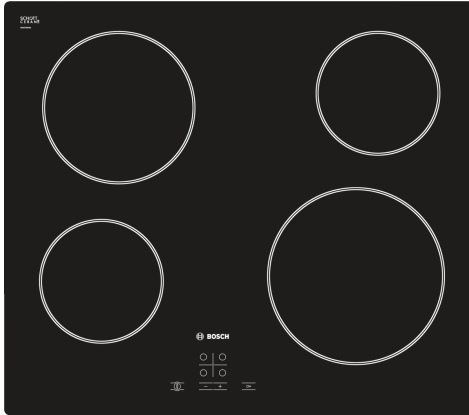


## Series 4, Electric hob, 60 cm, Black, PKE611D17E



## The glass-ceramic radiant hob: makes cooking and cleaning especially easy.

- **TouchSelect:** Selection of the desired cooking zone and easy setting of the desired power level.
- **If you turn off the cooktop it saves the last selected setting for a short time. If the cooktop is switched off within a short time again the former settings are still available.**
- **The handy ChildLock locks the control panel to prevent accidental changes in settings.**
- **Distinctive red LED light indicates if burners are on.**

### Technical Data

Product name/family: ..... Cooking zone ceramic  
 Built-in / Free-standing: ..... Built-in  
 Energy input: ..... Electric  
 Number of cooking zones: ..... 4  
 Min. required niche size for installation (HxWxD): ..... 45 x 560-560 x 490-500 mm  
 Width of the appliance: ..... 592 mm  
 Dimensions: ..... 45 x 592 x 522 mm  
 Dimensions of the packed product (HxWxD): ..... 100 x 750 x 590 mm  
 Net weight: ..... 7.3 kg  
 Gross weight: ..... 8.0 kg  
 Residual heat indicator: ..... Separate  
 Location of control panel: ..... Front  
 Basic surface material: ..... Ceramic glass  
 Color of surface: ..... Black  
 EAN code: ..... 4242002723914  
 Voltage: ..... 220-240 V  
 Frequency: ..... 50; 60 Hz

### Optional accessories

HEZ392617 Intermediate bottom  
 HEZ9FE280 Iron pan Ø 18 / 28 cm  
 HEZ9SE030 Set of 2 pots and 1 pan



## Series 4, Electric hob, 60 cm, Black, PKE611D17E

### The glass-ceramic radiant hob: makes cooking and cleaning especially easy.

---

#### Design

- Frameless design
- 60 cm: space for 4 pots or pans.

#### Flexibility of cooking zones

- Cooking zone front left: 145 mm, 1.2 KW
- Cooking zone rear left: 180 mm, 2 KW
- Cooking zone rear right: 145 mm , 1.2 KW
- Cooking zone front right: 210 mm, 2.2 KW

#### Usage convenience

- TouchSelect: control the power with imprinted +/- touch buttons.
- Variable 17-stage power settings for each zone: precisely adapt the heat with 17 power levels (9 main levels and 8 intermediate levels).

#### Time saving & efficiency

- ReStart function: in case of unintentional switch-off, this feature restores all previous settings by switching on the hob again within 4 seconds
- Quick Stop: quickly switch off a cooking zone with one longer touch.

#### Safety

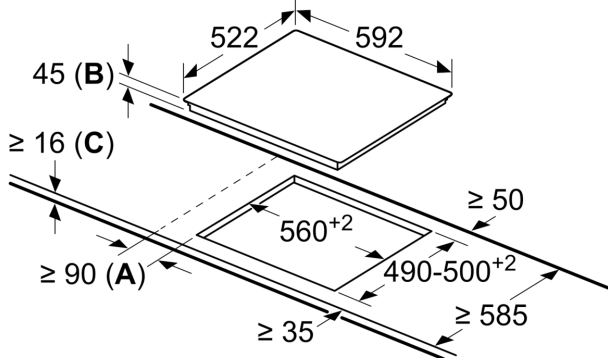
- 2 stage residual heat indicator for each zone: indicates which cooking zones are still hot or warm.
- Control panel lock: prevent unintended activation of the hob.
- Main on/off switch: switch off all cooking zones at the touch of a button.
- Power on indicator light: indicates if the hob is heating.
- Safety cut-out switch-off: for safety reasons, heating stops after a preset time if not used (possible to customise).

#### Installation

- Dimensions of the product (HxWxD mm): 45 x 592 x 522
- Min. worktop thickness: 16 mm
- Connected load: 6.6 KW
- Required niche size for installation (HxWxD mm) : 45 x 560 x (490 - 500)

**Series 4, Electric hob, 60 cm, Black,  
PKE611D17E**

measurements in mm



- A:** Minimum distance from the hob cut-out to the wall.
- B:** Recessed depth
- C:** With fitted oven underneath min. 20, possibly more; see space requirements for the oven.