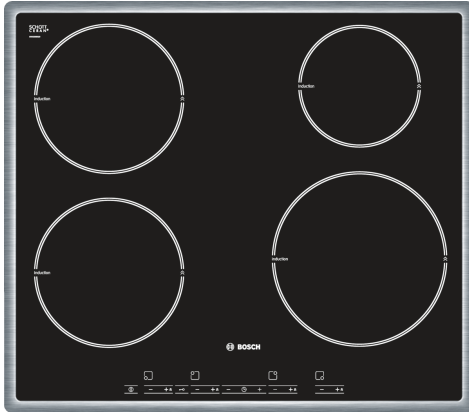


Induction hob, 60 cm, Black, PIE645T14E



- **Steel frame:** the flat stainless steel frame around the hob is perfect for integrating into existing countertop cutouts.
- **PowerBoost:** up to 50% more power for faster heating on your induction hob.
- **Timer with switch-off function:** Turns off the assigned cooking zone after the set time.
- **The handy ChildLock locks the control panel to prevent accidental changes in settings.**
- **Induction: Fast, precise cooking, easy cleaning and low energy consumption.**

Technical Data

Product name/family: Cooking zone ceramic
 Built-in / Free-standing: Built-in
 Energy input: Electric
 Number of cooking zones: 4
 Type of control setting devices: TouchControl Basic
 Min. required niche size for installation (HxWxD): 53 x 560-560 x 490-490 mm
 Width of the appliance: 575 mm
 Dimensions: 53 x 575 x 505 mm
 Dimensions of the packed product (HxWxD): 120 x 739 x 591 mm
 Net weight: 11.1 kg
 Gross weight: 12.0 kg
 Residual heat indicator: Separate
 Location of control panel: Front
 Basic surface material: Ceramic glass
 Color of surface: Black, Stainless steel
 Color of frame: Stainless steel
 Length electrical supply cord: 110.0 cm
 EAN code: 4242002477275
 Voltage: 220-240 V
 Frequency: 50; 60 Hz

Optional accessories

| | |
|-----------|--|
| HEZ390020 | set of 1 pot and 1 pan for induction hob |
| HEZ390041 | set of 3 pots + 1 pan for induction hob |
| HEZ390042 | Set of 3 pots and 1 pan |
| HEZ390090 | Wok Set consisting of 3 Items |



Induction hob, 60 cm, Black, PIE645T14E

Key Information

- Electronic control
- Digital display
- Safety cut-out switch-off
- Control panel lock
- PowerBoost function for all zones
- Automatic pan recognition sensor

Design

- 575 mm
- Front controls
- Touch control
- All around trim

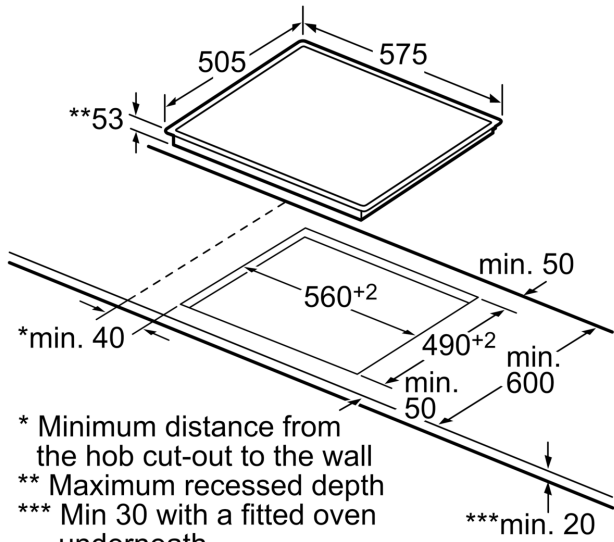
Features

- Variable 17-stage power settings for each zone
- Main on/off switch
- Timer for all zones
- 2 stage residual heat indicator for each zone
- Anti-overflow protection
- Small utensil detection

Performance/technical information

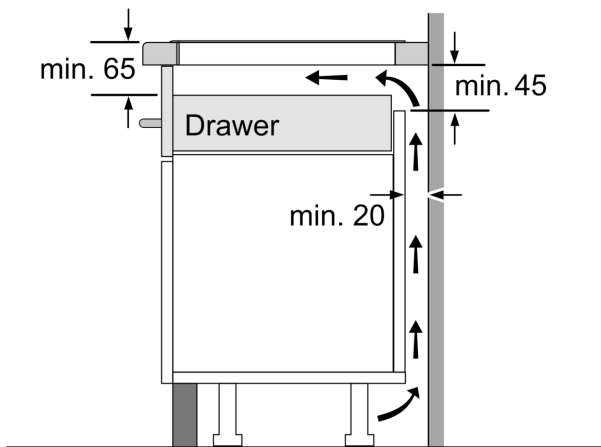
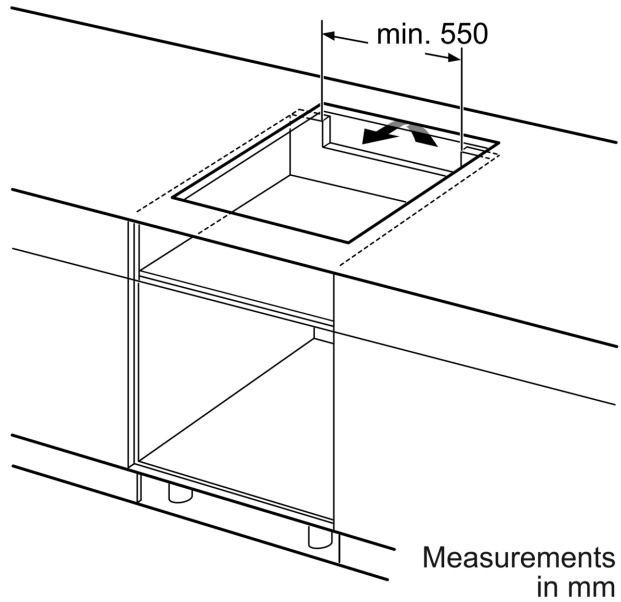
- 4 induction cooking zones

**Induction hob, 60 cm, Black,
PIE645T14E**

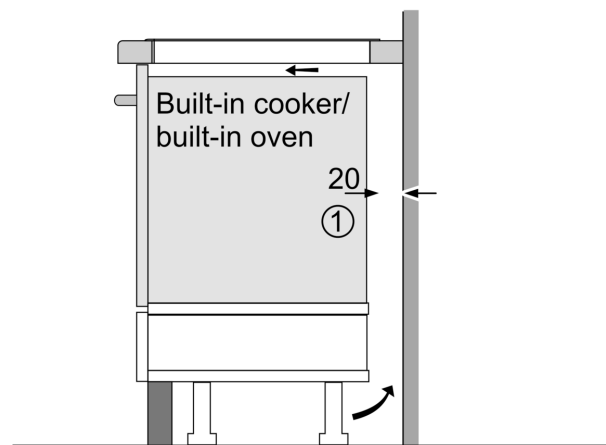


* Minimum distance from the hob cut-out to the wall
** Maximum recessed depth
*** Min 30 with a fitted oven underneath

All measurements in mm



Measurements in mm



① Ventilation gap must be present.

Measurements in mm