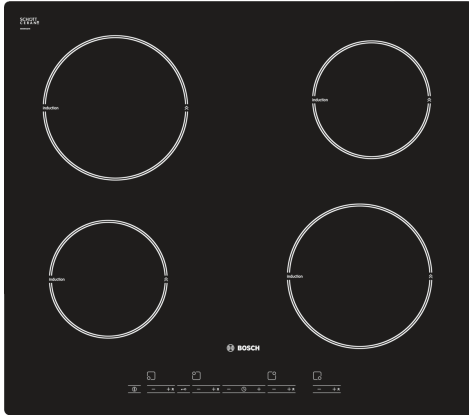


## Induction hob, 60 cm, Black, PIA611T16E



- Electronic control
- Digital display
- Safety cut-out switch-off
- Control panel lock
- Automatic pan recognition sensor

---

### Technical Data

Product name/family: ..... Cooking zone ceramic  
 Built-in / Free-standing: ..... Built-in  
 Energy input: ..... Electric  
 Number of cooking zones: ..... 4  
 Min. required niche size for installation (HxWxD): ..... 51 x 560-560 x 490-500 mm  
 Width of the appliance: ..... 592 mm  
 Dimensions: ..... 51 x 592 x 522 mm  
 Dimensions of the packed product (HxWxD): ..... 120 x 739 x 591 mm  
 Net weight: ..... 10.4 kg  
 Gross weight: ..... 11.3 kg  
 Residual heat indicator: ..... Separate  
 Location of control panel: ..... Front  
 Basic surface material: ..... Ceramic glass  
 Color of surface: ..... Black  
 Length electrical supply cord: ..... 110.0 cm  
 EAN code: ..... 4242002629131  
 Voltage: ..... 220-240 V  
 Frequency: ..... 60; 50 Hz

---

### Optional accessories

HEZ390090 Wok Set consisting of 3 Items



## Induction hob, 60 cm, Black, PIA611T16E

---

### Key Information

- Electronic control
- Digital display
- Safety cut-out switch-off
- Control panel lock
- Automatic pan recognition sensor

### Design

- 592 mm
- Front controls
- Touch control
- Frameless design

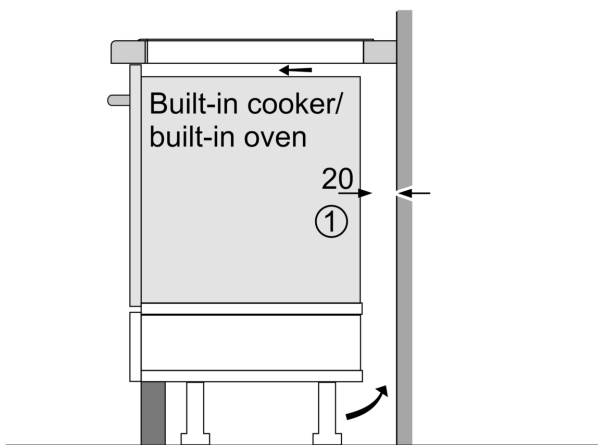
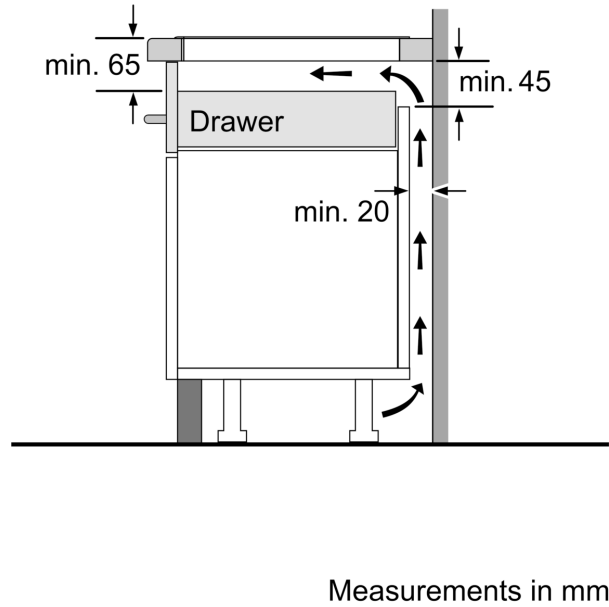
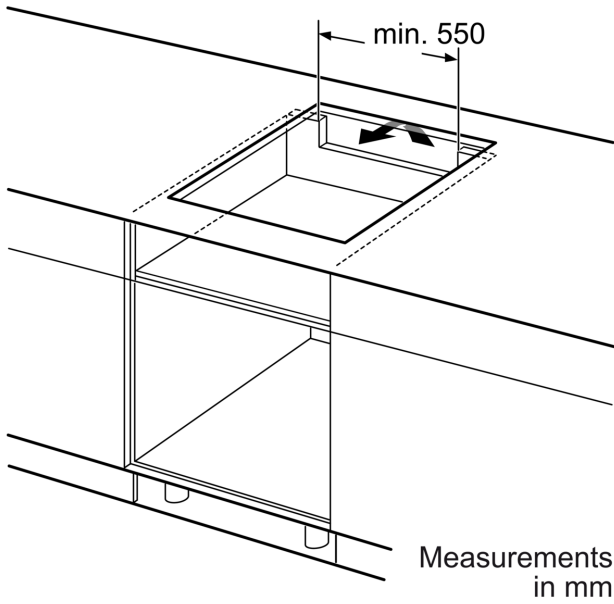
### Features

- Variable 17-stage power settings for each zone
- Main on/off switch
- Timer for all zones
- 2 stage residual heat indicator for each zone
- Anti-overflow protection
- Small utensil detection

### Performance/technical information

- 4 induction cooking zones
- Power management options for 16A, 13A or 10A connection
- Connected load: 4.6 KW

**Induction hob, 60 cm, Black,  
PIA611T16E**



①  
Ventilation gap must  
be present.

Measurements in mm