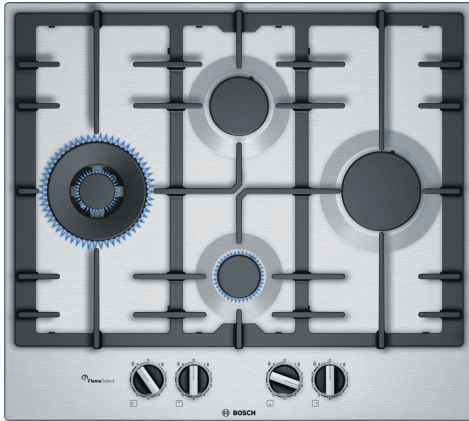


**Series 6, Gas hob, 60 cm, Stainless steel  
PCI6A5B90**



**Optional accessories**

HEZ211310	Simmer cap
HEZ298105	Simmer plate
HEZ298108	Wok ring
HEZ298115	Small pot support

**The stainless-steel gas hob with FlameSelect: achieve perfect cooking results thanks to nine precisely defined power levels.**

- **FlameSelect:** adjust the gas flame precisely using nine defined levels.
- **Wok burner:** powerful cooking at up to 4 kW.
- **Continuous cast-iron pan support:** for high firmness and stability of cookware.
- **Biomethane-ready:** your gas hob can also be powered with renewable biomethane gas.
- **Sword knobs:** for an ergonomic control.

**Technical Data**

Product name/family: .....gas hob w integrated controls  
 Built-in / Free-standing: ..... Built-in  
 Energy input: .....Gas  
 Number of cooking zones: .....4  
 Type of control setting devices: ..... sword knobs  
 Min. required niche size for installation (HxWxD): .....45 x 560-562 x 480-492 mm  
 Width of the appliance: .....582 mm  
 Dimensions: ..... 53 x 582 x 520 mm  
 Dimensions of the packed product (HxWxD): ..... 141 x 651 x 578 mm  
 Net weight: .....11.1 kg  
 Gross weight: ..... 12.0 kg  
 Residual heat indicator: ..... without  
 Location of control panel: ..... Front  
 Basic surface material: ..... Stainless steel  
 Color of surface: ..... Stainless steel  
 Length electrical supply cord: ..... 100.0 cm  
 EAN code: .....4242002802701  
 Gas connection rating: .....9750 W  
 Fuse protection: .....3 A  
 Voltage: ..... 220-240 V  
 Frequency: ..... 50; 60 Hz



## **Series 6, Gas hob, 60 cm, Stainless steel PCI6A5B90**

**The stainless-steel gas hob with FlameSelect: achieve perfect cooking results thanks to nine precisely defined power levels.**

---

### **Design**

- Stainless steel surface
- Cast iron pan supports

### **Usage convenience**

- FlameSelect: precisely control and adjust the flame in nine defined levels.
- Design co-ordinated control dials: easily access dials in front with strong grip for effortless turning.
- Ignition via control dials: just push and turn the dials to ignite the flame.

### **Burners and power**

- 4 gas burners
- Left: WOK burner up to 4 KW (depending on gas type)
- Center front: Economy burner up to 1 KW (depending on gas type)
- Center rear: Standard burner up to 1.75 KW (depending on gas type)

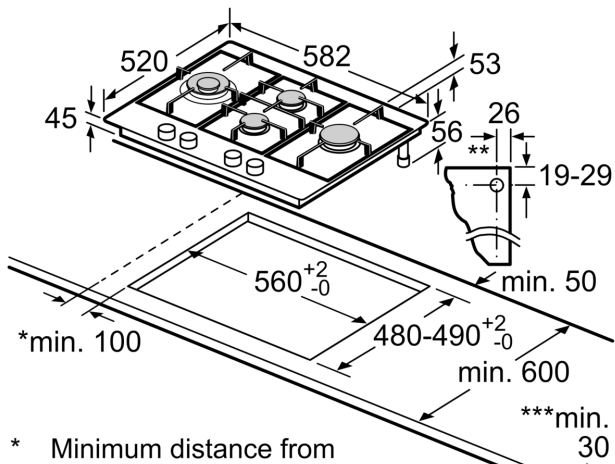
### **Safety**

- Flame failure safety device: prevents unwanted gas flow when flame goes out.

### **Installation (gas types & measurements)**

- Usable for: Nat gas L/LL G25/20mbar(DE)
- NG H/E 20mbar, E+ 20/25mbar Natural gas H 25 mbar (HU) Natural gas L 25 mbar (NL) Liquid gas G30,31 28-30/37mbar Liquid gas G30 37 mbar (PL) Liquid gas 50 mbar
- Pre-set for natural gas
- Nozzle set for LPG jets included. Connection to 28-30/37 mbar bottled gas. Nozzles for all other gas types can be ordered via the customer service. For nozzle change, please contact the customer service.
- Dimensions of the product (HxWxD mm): 53 x 582 x 520
- Required niche size for installation (HxWxD mm) : 45 x 560 x (480 - 492)
- Min. worktop thickness: 30 mm
- Power cord: 1 m
- Connected load: 9.75 KW

**Series 6, Gas hob, 60 cm, Stainless steel**  
**PCI6A5B90**



- \* Minimum distance from the hob cut-out to the wall
  - \*\* Position of gas connection in the cut-out
  - \*\*\* With fitted oven underneath, possibly more; see space requirements for the oven
- measurements in mm