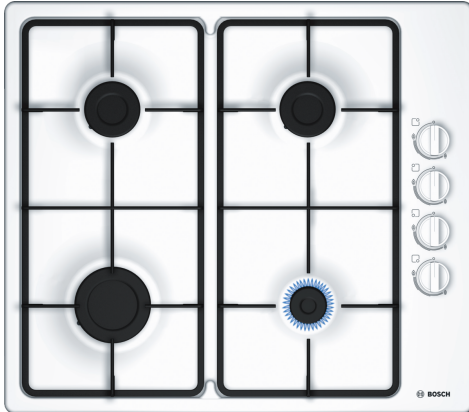


**Series 2, Gas hob, 60 cm, White
PBP6B2B60**



Optional accessories

- HEZ298105 Simmer plate
- HEZ298114 Small pot support

Gas hob with side-mounted controls: the desired cooking zones can be conveniently operated from the side.

- **Continuous cast-iron finish pan supports:** for maximum stability.
- **Biomethane-ready:** your gas hob can also be powered with renewable biomethane gas.
- **Sword knobs:** for an ergonomic control.
- **Surface colour:** elegant white enamel design.
- **Heavy-duty continuous surface grates can be easily and quickly cleaned in the dishwasher.**

Technical Data

Product name/family:gas hob w integrated controls
 Built-in / Free-standing: Built-in
 Energy input:Gas
 Number of cooking zones:4
 Type of control setting devices: sword knobs
 Min. required niche size for installation (HxWxD):45 x 560-562 x 480-492 mm
 Width of the appliance: 580 mm
 Dimensions: 56 x 580 x 510 mm
 Dimensions of the packed product (HxWxD): 141 x 651 x 578 mm
 Net weight:7.1 kg
 Gross weight: 8.0 kg
 Residual heat indicator: without
 Location of control panel: Lateral
 Basic surface material: Enamel
 Color of surface: White
 Length electrical supply cord: 100.0 cm
 EAN code:4242002857572
 Gas connection rating: 7400 W
 Fuse protection:3 A
 Voltage: 220-240 V
 Frequency: 60; 50 Hz



Series 2, Gas hob, 60 cm, White PBP6B2B60

Gas hob with side-mounted controls: the desired cooking zones can be conveniently operated from the side.

Design

- Enamel surface, white
- cast iron finish pan supports with rubber feet

Usage convenience

- Design co-ordinated control dials: access dials on the side with strong grip for effortless turning.
- Ignition via control dials: just push and turn the dials to ignite the flame.

Burners and power

- 4 gas burners
- Left front: High-speed burner up to 3 KW (depending on gas type)
- Left rear: Standard burner up to 1.7 KW (depending on gas type)
- Right rear: Standard burner up to 1.7 KW (depending on gas type)
- Right front: Economy burner up to 1 KW (depending on gas type)

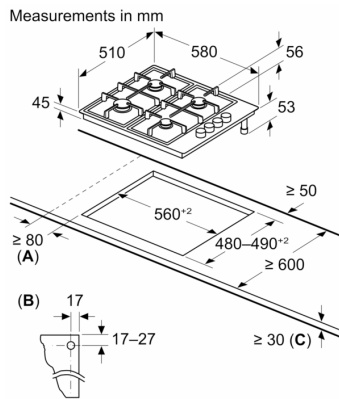
Safety

- Flame failure safety device: prevents unwanted gas flow when flame goes out.

Installation (gas types & measurements)

- Usable for: Nat gas L/LL G25/20mbar(DE)
- NG H/E 20mbar, E+ 20/25mbar Natural gas H 25 mbar (HU) Natural gas L 25 mbar (NL) Liquid gas G30,31 28-30/37mbar Liquid gas G30 37 mbar (PL) Liquid gas 50 mbar
- Pre-set for natural gas
- Nozzle set for LPG jets included. Connection to 28-30/37 mbar bottled gas. Nozzles for all other gas types can be ordered via the customer service. For nozzle change, please contact the customer service.
- Dimensions of the product (HxWxD mm): 56 x 580 x 510
- Required niche size for installation (HxWxD mm) : 45 x 560 x (480 - 492)
- Min. worktop thickness: 30 mm
- Power cord: 1 m
- Connected load: 7.4 KW

Series 2, Gas hob, 60 cm, White PBP6B2B60



A: Min. distance from the hob cut-out to the wall

B: Position of gas connection in the cut-out

C: With fitted oven underneath possibly more; see space requirements for the oven