

Series 4, Built-under double oven NBS533BB0B



A



Optional accessories

HEZ638000 Full ext rails, level independent, HEZ664000 Baking and roasting grid (steam), HEZ915003 Glass roasting dish, 5,4 L, HEZ327000 Pizza stone, HEZ530000 Half tray, HEZ531010 Baking tray, non-stick ceramic coated, HEZ532010 Universal pan, non-stick ceramic coated, HEZ538000 1fold telescopic rail, level independent, HEZ617000 Pizza pan, enamelled, HEZ629070 Air Fry & Grill tray, HEZ631070 Baking tray, enamelled, HEZ632070 Multipurpose pan, enamelled, HEZ634000 Baking and roasting grid (standard), HEZ636000 Glass pan

The built-in double compact oven with 3D hot air: achieve perfect baking and roasting results on multiple levels simultaneously.

- **3D Hotair:** even heat distribution for perfect results on up to three levels.
- **Red LED display control:** easy-to-use thanks to clear time display.
- **Pop-out controls:** Make the front of the oven easy to clean and give it a sleek look.
- **EcoClean Direct:** less cleaning effort thanks to a special coating which covers the rear wall of the lower oven.
- **Slim Universal Pans:** 2 universal pans, slim size; optimised for smaller dishes

Technical Data

Built-in / Free-standing: Built-in
 Integrated Cleaning system: No
 Dimensions: 717 x 594 x 550 mm
 Dimensions of the packed product (HxWxD): 790 x 660 x 690 mm
 Control Panel Material: Glass
 Door Material: Glass
 Net weight: 47.8 kg
 Usable volume (of cavity) - cavity 1: 47 l
 Cooking method: Full width grill, Hotair gentle, Hot Air, Conventional heat, Hot air grilling
 Oven control: mechanical
 Number of interior lights: 1
 EAN code: 4242005034611
 Energy efficiency rating: A
 Energy consumption per cycle conventional (2010/30/EC): 0.84 kWh/cycle
 Energy consumption per cycle forced air convection (2010/30/EC): 0.71 kWh/cycle
 Energy efficiency class (2010/30/EC) - cavity 2: B
 Energy consumption per cycle conventional - cavity 2 (2010/30/EC): 0.83 kWh/cycle
 Energy efficiency index (2010/30/EC): 94.7 %
 Energy efficiency index cavity 2 (2010/30/EC): 120.3 %
 Connection rating: 5300 W
 Fuse protection: 25 A
 Voltage: 220-240 V
 Frequency: 50 Hz
 Plug type: no plug (electrical connection by electrician), fixed connection (electrical connection by electrician)
 Included accessories cavity 1: 2 x combination grid, 1 x universal pan, 2 x Universal pan, slim size



Series 4, Built-under double oven NBS533BB0B

The built-in double compact oven with 3D hot air: achieve perfect baking and roasting results on multiple levels simultaneously.

- Niche dimension (hxwx): 720 mm - 720 mm x 560 mm - 568 mm x 550 mm
- Appliance dimension (hxwx): 717 mm x 594 mm x 550 mm
- Please refer to the dimensions provided in the installation manual

Design

- LED-Display Control (Red)
- Rotary dial, Retractable control dials, round
- Straight bar handle
- Interior halogen light

Features

- Control panel lock
- Electronic clock timer
- Automatic start
- Heating-up indicator

Top oven additional features

- Cavity volume: 34 litre capacity
- Full glass inner door
- 3 shelf positions
- Cavity (inner surface) top: Enamel grey
- Door hinge small cavity: bottom

Top oven

- Oven with 3 heating methods: conventional top/bottom heat, Large-area grill, Small area grill
- Temperature range 50 °C - 275 °C

Main oven additional features

- Cavity volume: 47 litre capacity
- EcoCleanDirect : back panel
- Full glass inner door
- Door hinge big cavity: Drop down door

Main oven

- Oven with 5 heating methods: 3D Hotair, conventional top and bottom heat, Hotair grilling, full width variable grill, Hotair gentle
- Temperature range 50 °C - 275 °C
- Fast pre-heating function

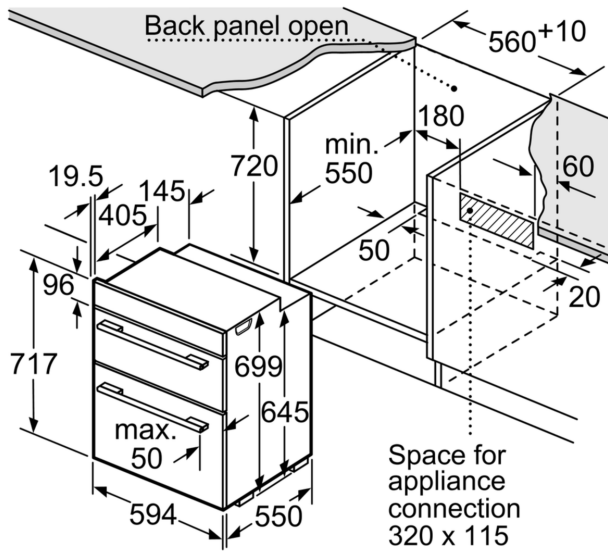
Accessories

- 2 x combination grid, 1 x universal pan, 2 x Universal pan, slim size

Performance/technical information

- Energy efficiency rating (acc. EU Nr. 65/2014): B(at a range of energy efficiency classes from A+++ to D)
- Energy consumption per cycle in conventional mode:0.83 kwh
- Number of cavities: Top Cavity Heat source: electrical
- Energy efficiency rating (acc. EU Nr. 65/2014): B(at a range of energy efficiency classes from A+++ to D)
- Energy consumption per cycle in conventional mode:0.83 kWh
- Energy consumption per cycle in fan-forced convection mode:0.71 kwh
- Number of cavities: Main Cavity Heat source: electrical
- Total connected load electric: 5.3 KW
- Nominal voltage: 220 - 240 V

Series 4, Built-under double oven
NBS533BB0B



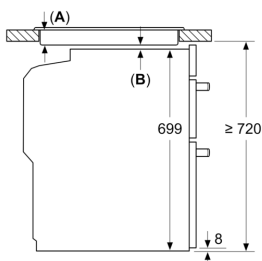
measurements in mm

measurements in mm

If the appliance will be installed underneath a hob, the following worktop thicknesses (including substructure if necessary) must be taken into account.

Hob type	min. worktop thickness	
	fitted	flush
Induction hob	39	40
Full-surface induction hob	49	50
Gas hob	29	40
Electric hob	29	32

measurements in mm
 Installation with a hob



A: Recessed depth 29-50 mm.
 See hob dimensional drawing.
 B: Min. distance:
 Induction hob: 5 mm
 Gas hob: 5 mm
 Electric hob: 2 mm

measurements in mm

