

**IQ500, Built-in double oven
MB578G5S0B**



A

- ✓ fastPreheat – Heat the oven quickly. coolStart – Eliminate preheating for frozen foods.
- ✓ activeClean® – The automatic, self-cleaning oven system.
- ✓ cookControl30: automatic programs ensure best results.
- ✓ roastingSensor – Accurate, reliable thermometer for perfect roasts.
- ✓ lightControl: intuitive operation thanks to the illuminated dial.

Features

Technical Data

Built-in / Free-standing: Built-in
 Dimensions: 888 x 594 x 550 mm
 Dimensions of the packed product (HxWxD): ... 960 x 660 x 690 mm
 Control Panel Material: Glass
 Door Material: Glass
 Weight: 60.4 kg
 Usable volume (of cavity) - cavity 1: 71 l
 Heating Types: Full width grill, Hot air gentle, Hot Air, Conventional heat, Pizza setting, low temperature cooking, Deep-frozen food special, Bottom heat, Hot air grilling
 Oven control: electronic
 Number of interior lights: 1
 EAN code: 4242003803257
 Energy efficiency rating: A
 Energy consumption per cycle conventional (2010/30/EC): 1.02 kWh/cycle
 Energy consumption per cycle forced air convection (2010/30/EC): 0.81 kWh/cycle
 Energy efficiency class (2010/30/EC) - cavity 2: B
 Energy consumption per cycle conventional - cavity 2 (2010/30/EC): 0.83 kWh/cycle
 Energy efficiency index (2010/30/EC): 95.3 %
 Energy efficiency index cavity 2 (2010/30/EC): 120.3 %
 Connection Rating: 6300 W
 Fuse protection: 32 A
 Nominal power: 220-240 V
 Frequency: 50 Hz
 Plug type: no plug (electrical connection by electrician), fixed connection (electrical connection by electrician)
 Included accessories cavity 1: 3 x combination grid, 1 x universal pan



Optional accessories

HZ317000 Pizza pan, enamelled, HZ327000 Baking stone, HZ531000 Baking tray, enamelled, HZ531010 Baking tray, non-stick ceramic coated, HZ532000 Multipurpose pan, enamelled, HZ532010 Universal pan, non-stick ceramic coated, HZ538000 varioClip rail, HZ538200 2 level telescopic shelf rails, HZ538500 3 level telescopic rails incl 1 varioClip, HZ634000 Baking and roasting grid (standard), HZ638000 Full ext rails, level independent, HZ638200 2 level telescopic shelf rails, full ext, HZ638300 3 level telescopic rails, full ext, HZ664000 Baking and roasting grid (steam), HZ915003 Glass roasting dish, 5,4 L



IQ500, Built-in double oven MB578G5S0B

Features

Design

- Stainless steel control dial, lightControl: intuitive operation thanks to the illuminated dials, round
- Electronic oven clock timer
- Bar handle
- lightControl: intuitive operation thanks to the illuminated dials

Features

- Electronic door lock
- Control panel lock Automatic safety switch off Residual heat indicator
- Cavity volume: 71 litres
- activeClean
- cookControl, 30
- roastingSensor
- 5 shelf positions
- Temperature range 30 °C - 275 °C
- Fast pre-heat

Accessories

- 3 x combination grid, 1 x universal pan
- 1 varioClip rail, Stop function

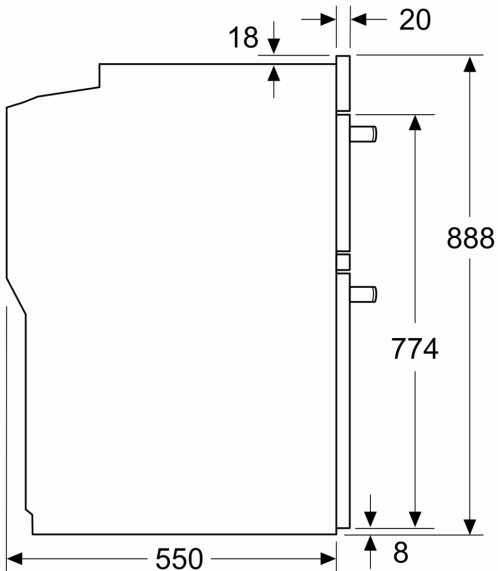
Performance/technical information

- Total connected load electric: 6.3 KW
- Nominal voltage: 220 - 240 V
- Appliance dimension (hxwxh): 888 mm x 594 mm x 550 mm
- Niche dimension (hxwxh): 875 mm - 888 mm x 560 mm - 568 mm x 550 mm
- Please refer to the dimensions provided in the installation manual

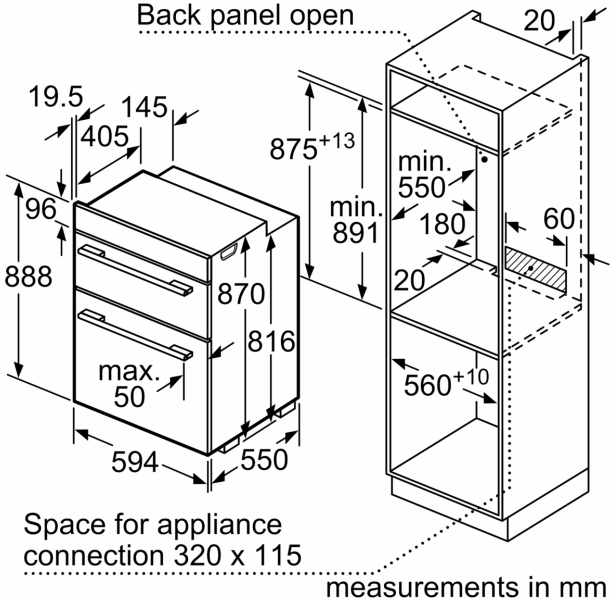
IQ500, Built-in double oven
MB578G5S0B

Dimensioned drawings

measurements in mm



Back panel open



measurements in mm