

## Installation accessory LZ50961



- ✓ LZ50961
- ✓ Backboard 90 x 72 cm
- ✓ Stainless steel
- ✓ 90cm wide

### Features

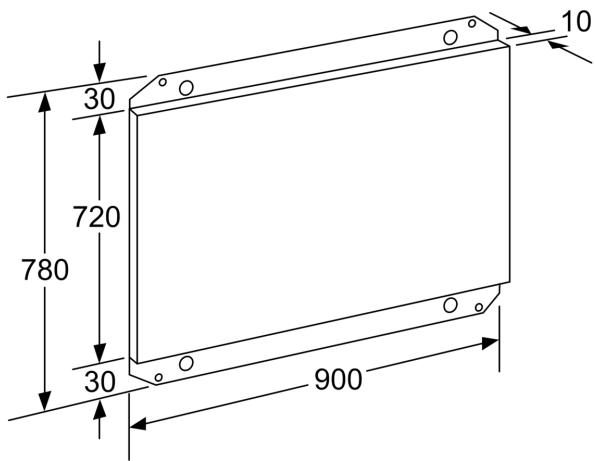
#### Technical Data

Dimensions of the packed product (HxWxD): ..... 35 x 845 x 920 mm  
Pallet dimensions: ..... 115.0 x 80.0 x 120.0  
Standard number of units per pallet: ..... 30  
Weight: ..... 3.0 kg  
Gross weight: ..... 9.0 kg  
EAN code: ..... 4242003511411



Installation accessory  
LZ50961

Dimensioned drawings



Measurements in mm