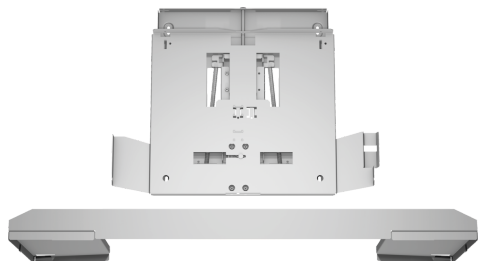


## Lowering frame LZ49601



- ✓ Can be combined with slimline hood
- ✓ The lowering frame allows the slimline hood to disappear completely into the upper cabinet
- ✓ For assembly directly on the kitchen wall
- ✓ Suitable for 90 cm wide slimline cooker hood

### Features

#### Technical Data

Dimensions of the packed product (HxWxD): ..... 85 x 530 x 630 mm  
Pallet dimensions: ..... 140.0 x 80.0 x 120.0  
Standard number of units per pallet: ..... 30  
Weight: ..... 4.0 kg  
Gross weight: ..... 6.1 kg  
EAN code: ..... 4242003884652



## Lowering frame LZ49601

### Features

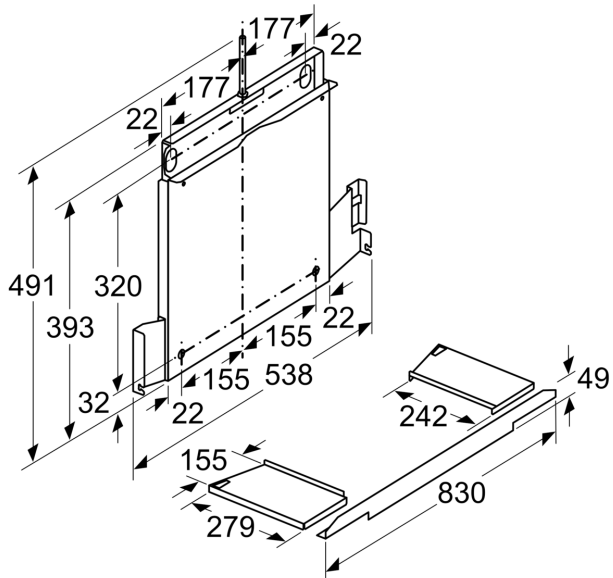
#### Optional accessories

- Can be combined with slimline hood
- The lowering frame allows the slimline hood to disappear completely into the upper cabinet
- For assembly directly on the kitchen wall
- Suitable for 90 cm wide slimline cooker hood

**Lowering frame  
LZ49601**

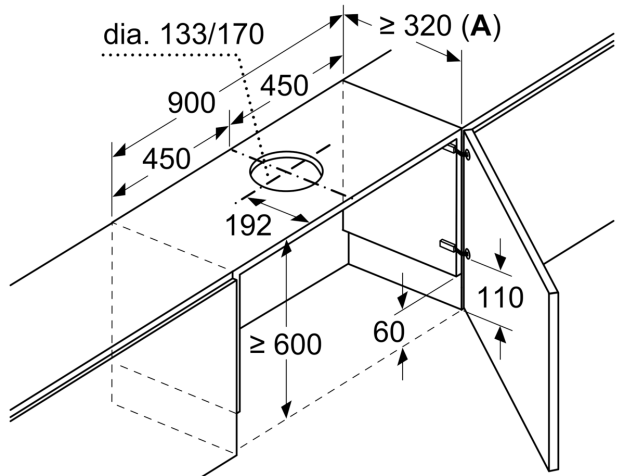
Dimensioned drawings

measurements in mm



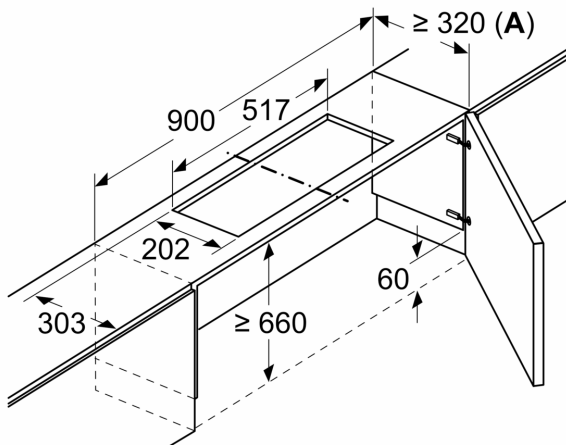
measurements in mm

Fitting the telescopic hood with lowering frame



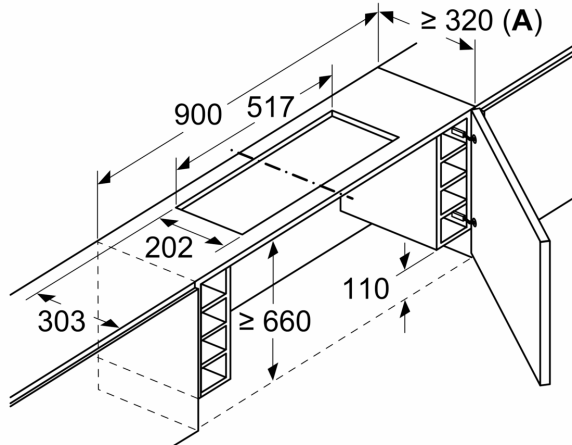
A: See combination table

Measurements in mm  
**Installation of telescopic hood with  
circulated air kit and lowering frame**



A: See combination table

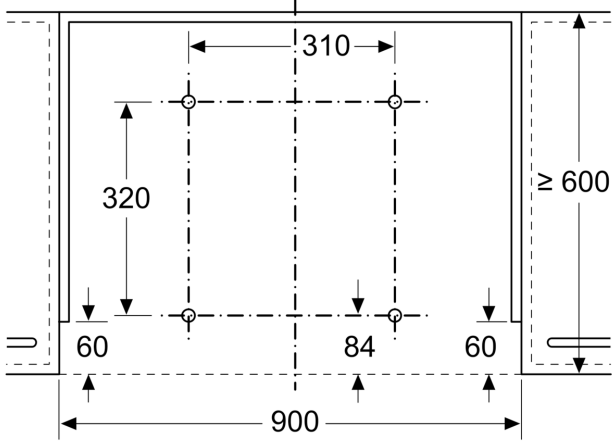
Measurements in mm  
**Installation of telescopic hood with  
circulated air kit and lowering frame**



A: See combination table

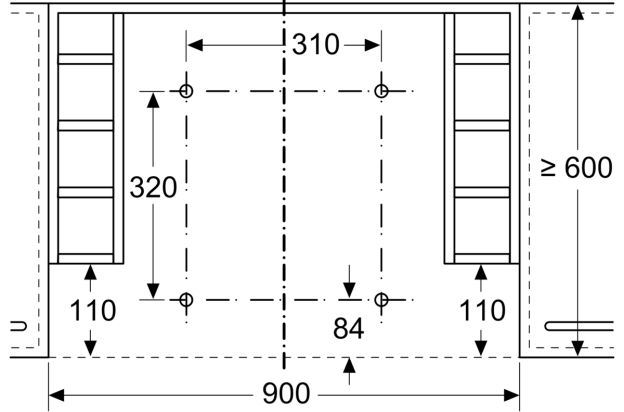
Dimensioned drawings

measurements in mm

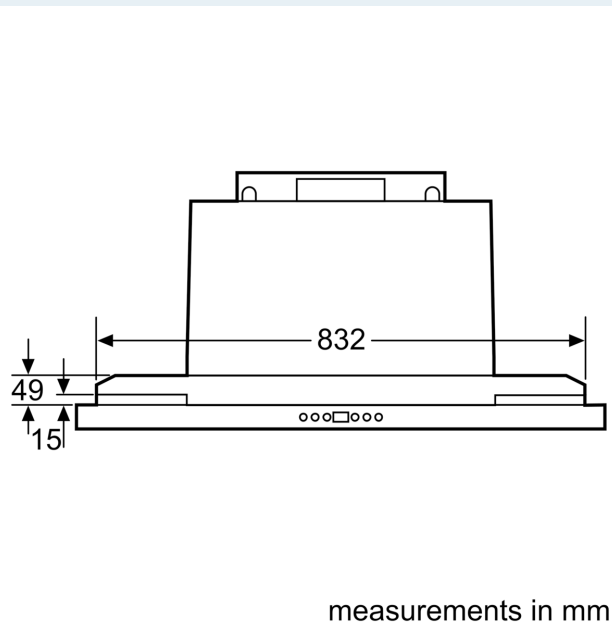


Fitting the telescopic hood with lowering frame  
Fitting directly to the kitchen wall

measurements in mm

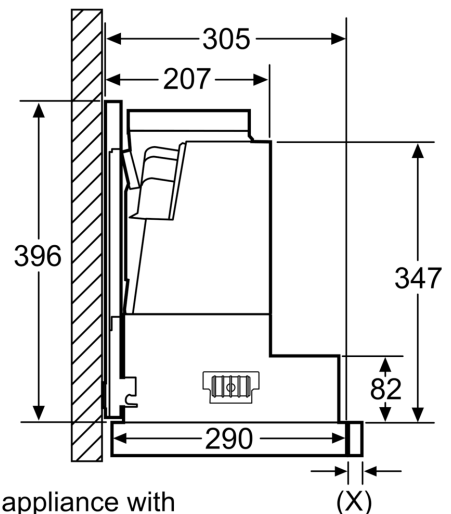


Fitting the telescopic hood with lowering frame  
Kitchen units with side shelving units  
Fitting directly to the kitchen wall



measurements in mm

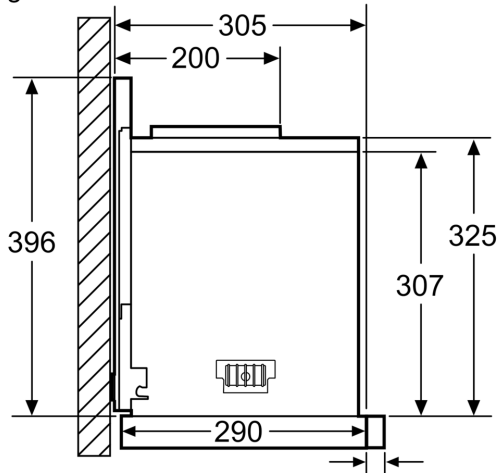
Design A



Fitting the appliance with  
lowering frame – kitchen unit carcass depth  
as per combination table measurements in mm

Dimensioned drawings

Design B



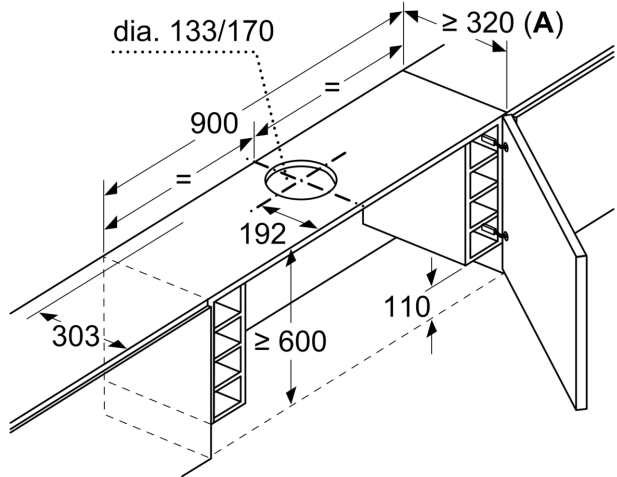
Fitting the appliance with lowering frame – kitchen unit carcass depth as per combination table measurements in mm

measurements in mm  
Combination table for 90 cm telescopic hood with lowering frame

Design of the appliance in the cupboard	Appliance installation depth with lowering frame	Depth of the handle strip (X)	Overall installation depth	Kitchen unit carcass depth
Design A	301	17	318	≥ 320
	301	20	321	≥ 323
	301	31	332	≥ 334
Design B	301	31	332	≥ 334

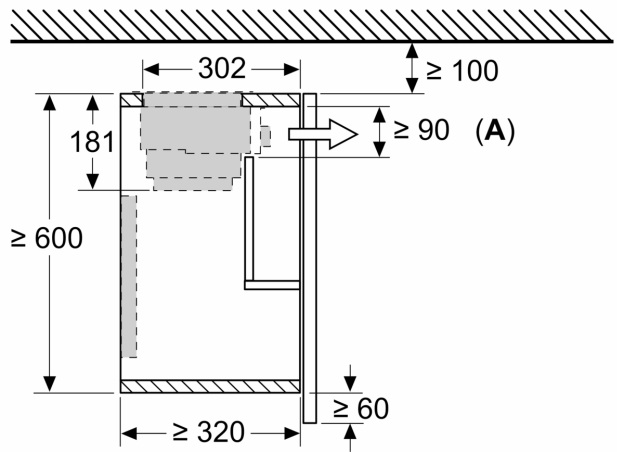
When using recess panelling of >5 mm, the lowering frame must be supported from below. The kitchen unit carcass depth must be adjusted accordingly.

measurements in mm  
Fitting the telescopic hood with lowering frame



A: See combination table

Measurements in mm  
Installation of telescopic hood with circulated air kit and lowering frame



A: Filter change