



Lowering frame LZ49600



Features

Technical Data

Dimensions of the packed product (HxWxD) : 90 x 530 x 630

Pallet dimensions : 150.0 x 80.0 x 120.0

Standard number of units per pallet : 30

Net weight : 3.9

Gross weight : 6.0

EAN code : 4242003730881



4 242003 730881



Lowering frame LZ49600

Features

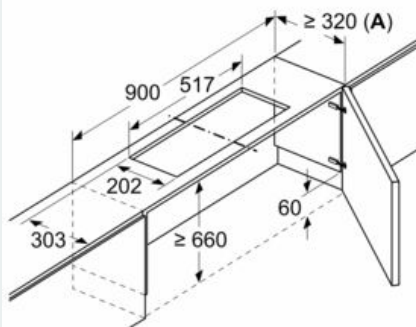
Optional accessories

- # Can be combined with slimline hood
- # The lowering frame allows the slimline hood to disappear completely into the upper cabinet
- # For assembly directly on the kitchen wall
- # Suitable for 90 cm wide slimline cooker hood

Lowering frame LZ49600

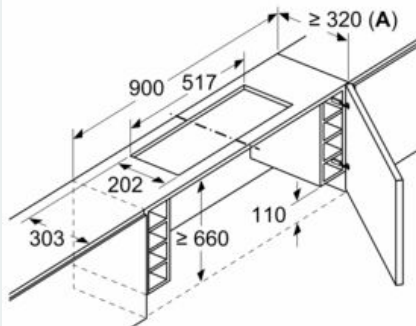
Dimensioned drawings

Measurements in mm
Installation of telescopic hood with
circulated air kit and lowering frame



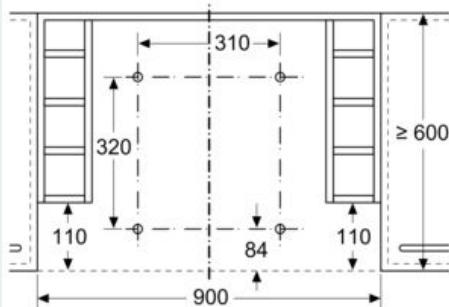
A: See combination table

Measurements in mm
Installation of telescopic hood with
circulated air kit and lowering frame

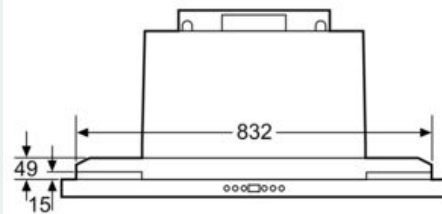


A: See combination table

measurements in mm

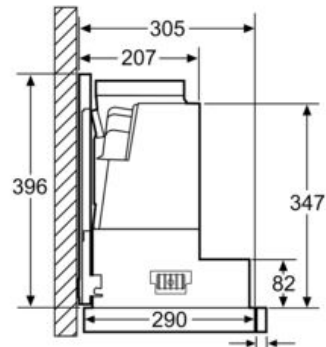


Fitting the telescopic hood with lowering frame
Kitchen units with side shelving units
Fitting directly to the kitchen wall



measurements in mm

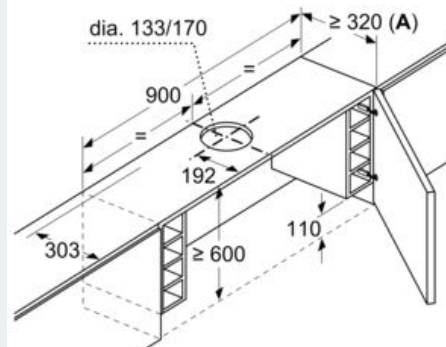
Design A



Fitting the appliance with
lowering frame – kitchen unit carcass depth
as per combination table measurements in mm

measurements in mm

Fitting the telescopic hood with lowering frame



A: See combination table

Lowering frame LZ49600

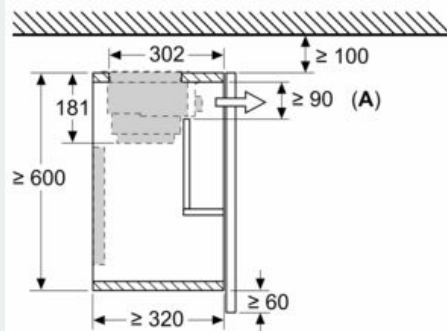
Dimensioned drawings

measurements in mm
Combination table for 90 cm telescopic hood with lowering frame

Design of the appliance in the cupboard	Appliance installation depth with lowering frame	Depth of the handle strip (X)	Overall installation depth	Kitchen unit carcass depth
Design A	301	17	318	≥ 320
	301	20	321	≥ 323
	301	31	332	≥ 334
Design B	301	31	332	≥ 334

When using recess panelling of >5 mm, the lowering frame must be supported from below.
The kitchen unit carcass depth must be adjusted accordingly.

Measurements in mm
Installation of telescopic hood with circulated air kit and lowering frame



A: Filter change