

**Recirculation module  
LZ46830**



**Features**

**Technical Data**

Dimensions of the packed product (HxWxD) (mm) : 280 x 290 x 690  
Pallet dimensions : 130.0 x 80.0 x 120.0  
Standard number of units per pallet : 24  
Net weight (kg) : 5.206  
Gross weight (kg) : 6.1  
EAN code : 4242003774588



## Recirculation module LZ46830

### Features

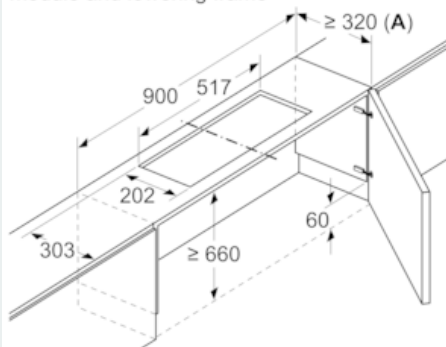
#### Optional accessories

- # For recirculation operation
- # Can be combined with slimline hoods and selected canopy hoods.
- # Improved reduction of odour compared to standard recirculation systems
- # Reduction of Noise
- # Extended replacement cycle of cleanAir active carbon filter
- # For assembly in the upper cabinet
- # Consisting of filter housing with design panel and CleanAir charcoal filter.

# Recirculation module LZ46830

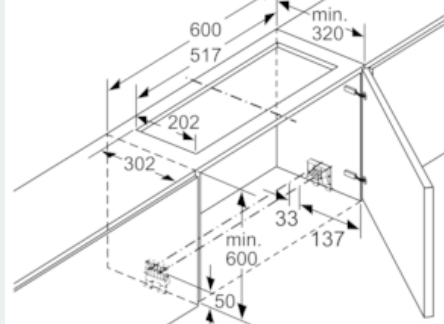
## Dimensioned drawings

measurements in mm  
Fitting the telescopic hood with CleanAir module and lowering frame



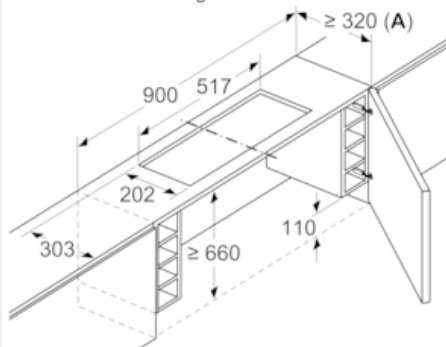
A: See combination table

Fitting telescopic hood with CleanAir module



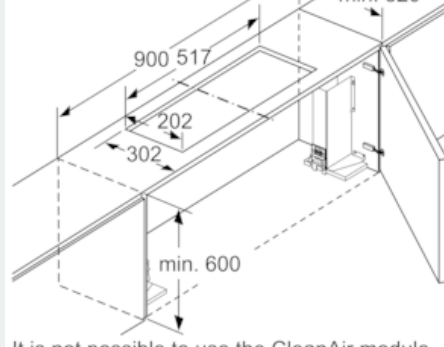
It is not possible to use the CleanAir module for cupboards with transverse cross-members (lifting doors).  
measurements in mm

measurements in mm  
Fitting the telescopic hood with CleanAir module and lowering frame

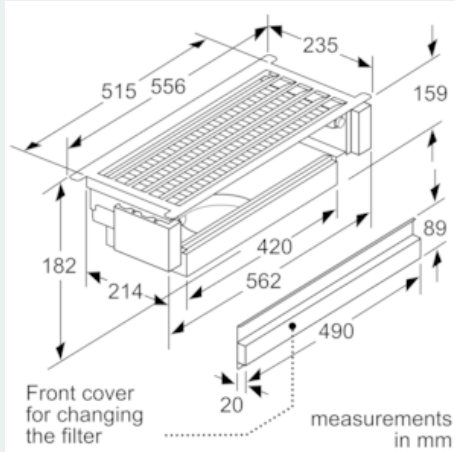
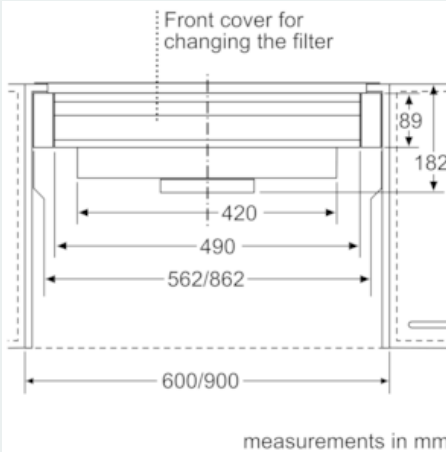


A: See combination table

Fitting telescopic hood with CleanAir module



It is not possible to use the CleanAir module for cupboards with transverse cross-members (lifting doors).  
measurements in mm



# Recirculation module LZ46830

Dimensioned drawings

