

**IQ500, Ceiling cooker hood, 90 cm, Stainless steel  
LR97CAP21B**



The high-performance ceiling hood with specially designed motor housing for installation between UK ceiling joists. Also can save creating a bulk-head.

- ✓ LED lights: for optimal visibility and ambience while cooking.
- ✓ The 680 m3/h extraction rate supplies clean air when cooking.

**Optional accessories**

LZ21JCB11	Clean Air Standard odor filter (repl.)
LZ21JXC21	Clean Air Stand. recirc. kit ext. white
LZ21JXC51	Clean Air Standard recirc. kit ext. inox

**Features**

**Technical Data**

Typology: ..... Island/Ceiling  
 Length electrical supply cord: ..... 130.0 cm  
 Min. required niche size for installation (HxWxD): ..... 195mm x 410.0mm x 410mm mm  
 Minimum distance above an electric hob: .....650 mm  
 Minimum distance above a gas hob: ..... 900 mm  
 Weight: ..... 19.6 kg  
 Type of control: ..... Electronic  
 Number of speed settings: .....3-stages + intensive setting  
 Maximum output air extraction: .....400 m³/h  
 Boost position output recirculating: .....588.0 m³/h  
 Maximum output recirculating air: ..... 423 m³/h  
 Boost position air extraction: .....690 m³/h  
 Maximum Air flow: ..... 400 m³/h  
 Number of lights: .....4  
 Noise level: .....65 dB(A) re 1 pW  
 Diameter of air outlet: ..... 150 mm  
 Grease filter material: .....Washable aluminium  
 EAN code: .....4242003866061  
 Connection Rating: ..... 284 W  
 Fuse protection: .....KSA A  
 Nominal power: .....220-240 V  
 Frequency: .....50 Hz  
 Plug type: ..... GB plug  
 Installation type: ..... Island  
 Delay Shut off modes: ..... 10 min



## IQ500, Ceiling cooker hood, 90 cm, Stainless steel LR97CAP21B

### Features

#### Key performance features:

- Energy Efficiency Class: B (at a range of energy efficiency classes from A+++ to D)
- Extraction rate according to EN 61591 ø 15 cm:
- max. Normal use 400 m<sup>3</sup>/h
- Intensive 690 m<sup>3</sup>/h
- Noise max. Normal Level: 65 dB\*

#### Features

- 3 x power levels plus intensive setting
- Automatic intensive revert
- 4 x LED 2,2W
- softLight with dimmer function
- Infrared remote control
- Steel filter cover
- 2 x metal grease filter cassettes
- Grease and charcoal filter saturation indicators
- Rim ventilation

#### Design

- Filter cover stainless steel, perforated and dishwasher safe
- Easy to clean inner frame in stainless steel
- For ceiling mounted installation

#### Performance/technical information

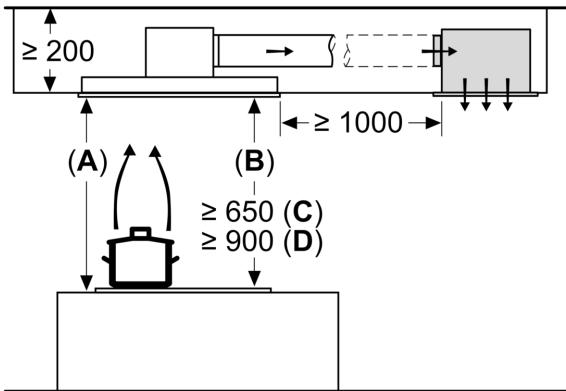
- Suitable for ducted and re-circulating operation
- For recirculated extraction CleanAir recirculating kit (accessory) needed
- Max. extraction rate: 680 m<sup>3</sup>/h
- Noise level according to EN 60704-3 and EN 60704-2-13 exhaust air:
- Max. normal use: 65 dB(A) re 1 pW
- Intensive: 73 dB(A) re 1 pW
- With the Clean Air Standard recirculation kit (available as optional accessory) your appliances reaches:
- Extraction rate in recirculation mode: Max. normal use: 423 m<sup>3</sup>/h
- Intensive: 588 m<sup>3</sup>/h
- Noise level in recirculation mode with Clean Air Standard odor filter :  
Max. normal use: 69 dB(A) re 1 pW
- Intensive: 74 dB(A) re 1 pW
- Power rating: 284 W
- Light Intensity: 366 lux
- Colour Temperature: 4000 K
- Electrical cable length 1.3 m
- Blower Efficiency Class: B\*
- Lighting Efficiency Class: A\*
- Grease Filtering Efficiency Class: C\*
- Average Energy Consumption: 62.6 kWh/year\*
- Rotatable motor: possible to position the air outlet on all four sides
- Extractor hose 150 mm
- Dimensions (WxD): 900 x 440 mm

- Built-in dimensions (HxWxD): 195 x 410 x 410 mm

**IQ500, Ceiling cooker hood, 90 cm, Stainless steel  
LR97CAP21B**

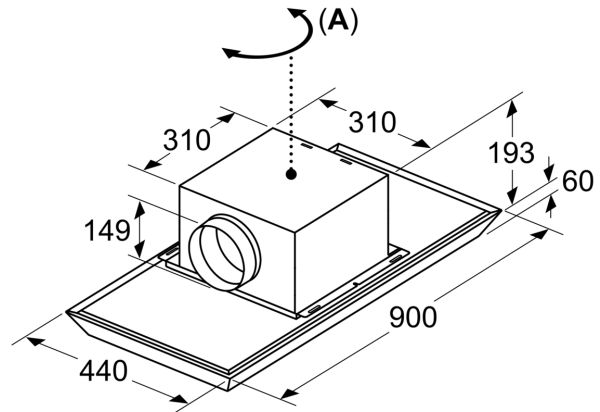
**Dimensioned drawings**

measurements in mm  
Circulated air



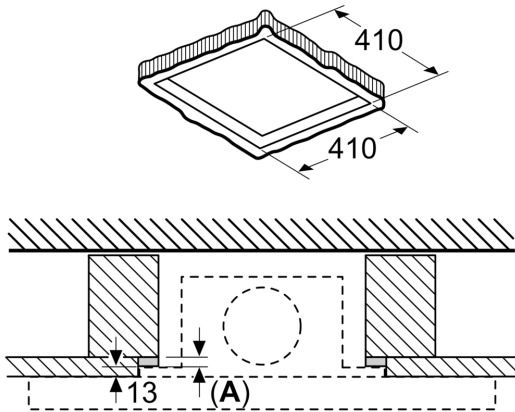
- A:** Optimum performance 700-1500
- B:** From upper edge of pan support
- C:** Electric
- D:** Gas

measurements in mm



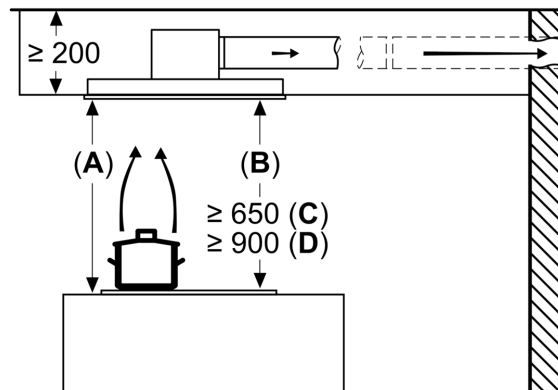
- A:** The fan outlet can be turned in all four directions

measurements in mm



- A:** If required, even out the ceiling thickness to 13 mm using wooden spacers.

measurements in mm  
Exhaust air



- A:** Optimum performance 700-1500
- B:** From upper edge of pan support
- C:** Electric
- D:** Gas