

## IQ500, Telescopic cooker hood, 90 cm, Stainless steel LI97SA561B



### Optional accessories

HZG9AS00S	Adapter
LZ10ITP00	Long Life odor filter (replacement)
LZ11ITD11	Long Life recirculation kit external
LZ11IXB16	Clean Air Plus odor filter (replacement)
LZ11IXC16	Clean Air Plus recirc. kit external
LZ12ITB14	Clean Air Standard odor filter (repl.)
LZ12ITI14	Clean Air Standard recirculation kit
LZ45610	Standard odor filter (replacement)
LZ45650	Standard recirculation kit
LZ49200	Installation kit for 90cm wide wall unit
LZ49601	Lowering frame

For clean lines the powerful telescopic cooker hood disappears into an upper cabinet, perfect for modern kitchens.

- ✓ iQdrive motor - The quiet, high-performance motor ensures efficient removal of odours and steam.
- ✓ LED lights: for optimal visibility and ambience while cooking.

### Features

#### Technical Data

Typology: .....	Pull-out
Length electrical supply cord: .....	175.0 cm
Min. required niche size for installation (HxWxD): .....	385mm x 524.0mm x 290mm mm
Minimum distance above an electric hob: .....	430 mm
Minimum distance above a gas hob: .....	650 mm
Weight: .....	14.5 kg
Type of control: .....	Electronic
Number of speed settings: .....	3-stage + 2 intensive
Maximum output air extraction: .....	395 m <sup>3</sup> /h
Boost position output recirculating: .....	628 m <sup>3</sup> /h
Maximum output recirculating air: .....	358 m <sup>3</sup> /h
Boost position air extraction: .....	700 m <sup>3</sup> /h
Maximum Air flow: .....	395 m <sup>3</sup> /h
Number of lights: .....	3
Noise level: .....	53 dB(A) re 1 pW
Diameter of air outlet: .....	120 / 150 mm
Grease filter material: .....	Washable stainless steel
EAN code: .....	4242003880289
Connection Rating: .....	146 W
Fuse protection: .....	10 A
Nominal power: .....	220-240 V
Frequency: .....	50; 60 Hz
Plug type: .....	GB plug
Installation type: .....	Built-in
Delay Shut off modes: .....	10 min



## IQ500, Telescopic cooker hood, 90 cm, Stainless steel LI97SA561B

### Features

#### Features

- Soft touch button control with 7-segment display
- 3 power levels and 2 intensive settings
- softLight with dimmer function
- 3 x 1,5W LED
- Efficient BLDC motor
- Automatic intensive revert (6mins)
- Automatic after running (10 minutes)
- 3 x metal grease filter cassettes - dishwasher safe
- Grease and charcoal filter saturation indicators

#### Design

- 90 cm wide
- Stainless Steel
- Handle strip specification: stainless steel with logo
- Steel filter cover

#### Performance

- Suitable for ducted and re-circulating operation
- For recirculated extraction recirculating kit or CleanAir recirculating kit (accessory) needed
- Energy Efficiency Class: B (at a range of energy efficiency classes from A+++ to D)
- Extraction rate according to EN 61591 ø 15 cm:
- max. Normal use: 395 m<sup>3</sup>/h
- Intensive: 700 m<sup>3</sup>/h
- Noise level according to EN 60704-3 and EN 60704-2-13 at max. normal use exhaust air: 53 dB(A) re 1 pW
- Noise level according to EN 60704-3 and EN 60704-2-13 exhaust air:
- Max. normal use: 53 dB(A) re 1 pW
- Intensive: 69 dB(A) re 1 pW
- With the Clean Air Plus recirculation kit (available as optional accessory) your appliances reaches:
- Extraction rate in recirculation mode: Max. normal use: 358 m<sup>3</sup>/h
- Intensive: 628 m<sup>3</sup>/h
- Noise level in recirculation mode: Max. normal use: 60 dB(A) re 1 pW
- Intensive: 71 dB(A) re 1 pW
- Colour Temperature: 3500 K
- Light Intensity: 355 lux
- Power rating: 146 W
- Average Energy Consumption: 38.8 kWh/year\*
- Blower Efficiency Class: B\*
- Lighting Efficiency Class: A\*
- Grease Filtering Efficiency Class: B\*

#### Planning and installation information

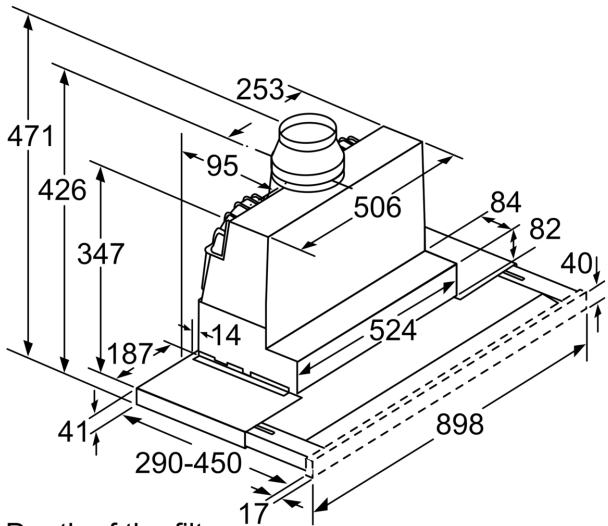
- Installation system: Telescopic comfort installat.
- Dimensions (HxWxD): 426 x 898 x 290 mm
- Built-in dimensions (HxWxD): 385 x 524 x 290 mm
- Diameter pipe Ø 150 mm (Ø 120 mm enclosed)

- Electrical cable length 1.75 m

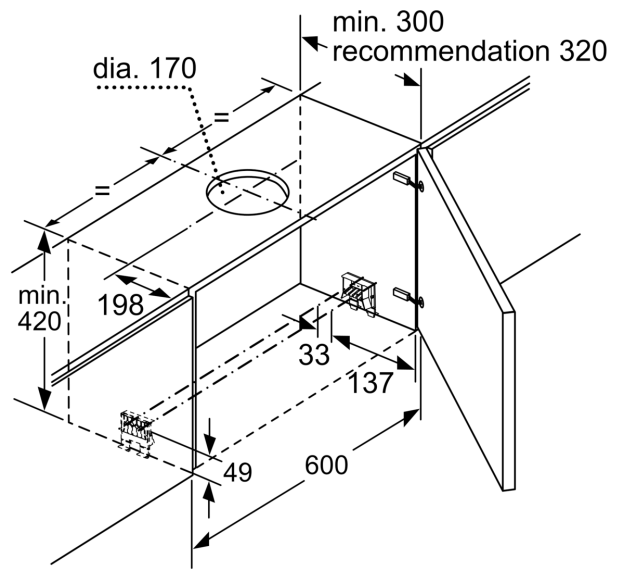
\* In accordance with the EU-Regulation No 65/2014

**IQ500, Telescopic cooker hood, 90 cm, Stainless steel  
LI97SA561B**

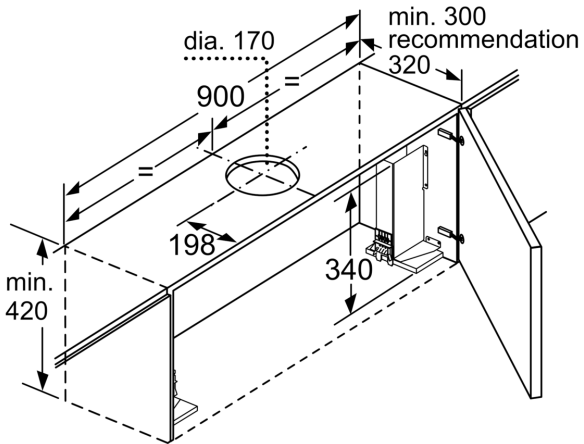
**Dimensioned drawings**



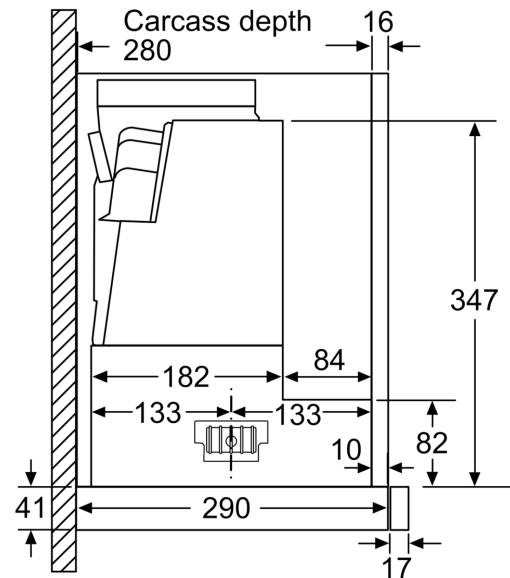
Depth of the filter drawer can be adjusted by up to 29 mm  
measurements in mm



measurements in mm



When installing the 90 cm telescopic hood in a 90 cm wide wall-hanging cupboard, a mounting kit is required. The two mounting brackets are screwed onto the left and right of the kitchen unit. Installation in accordance with template.  
measurements in mm



measurements in mm

Dimensioned drawings

