

iQ300, telescopic cooker hood, 90 cm, Silver metallic LI94MA530B

A



For clean lines the powerful telescopic cooker hood disappears into an upper cabinet, perfect for modern kitchens.

- ✓ iQdrive motor - The quiet, high-performance motor ensures efficient removal of odours and steam.
- ✓ LED lights: for optimal visibility and ambience while cooking.

Features

Technical Data

Typology : Pull-out
 Approval certificates : CE, VDE
 Length electrical supply cord : 175 cm
 Required niche size for installation (HxWxD) : 162mm x 526.0mm x 290mm mm
 Minimum distance above an electric hob : 430 mm
 Minimum distance above a gas hob : 650 mm
 Net weight : 11.1 kg
 Type of control : Electronic
 Maximum output air extraction : 266 m³/h
 Boost position output recirculating : 178.0 m³/h
 Maximum output recirculating air : 166 m³/h
 Boost position air extraction : 412 m³/h
 Number of lights : 2
 Noise level : 63 dB(A) re 1 pW
 Diameter of air outlet : 150 / 120 mm
 Grease filter material : Washable aluminium
 EAN code : 4242003754139
 Connection Rating : 76 W
 Fuse protection : 10 A
 Voltage : 220-240 V
 Frequency : 60; 50 Hz
 Plug type : GB plug
 Installation typology : Built-in

Optional accessories

LZ49560	Handle strip black
LZ45510	Standard odor filter (replacement)
LZ45450	Standard recirculation kit



4 242003 754139

iQ300, telescopic cooker hood, 90 cm, Silver metallic LI94MA530B

Features

Design

- 90 cm wide
- Silver metallic lacquer
- Electronic control via Soft touch button control
- Neutral white lights
- For installation into 90cm wide cupboard

Key Information

- Soft touch button control for extractor speeds and light
- 2 x LED lights
- 3 x metal grease filter cassettes - dishwasher safe
- Steel filter cover
- Pyramid filter
- 1 single inlet horizontal, Efficient BLDC motor

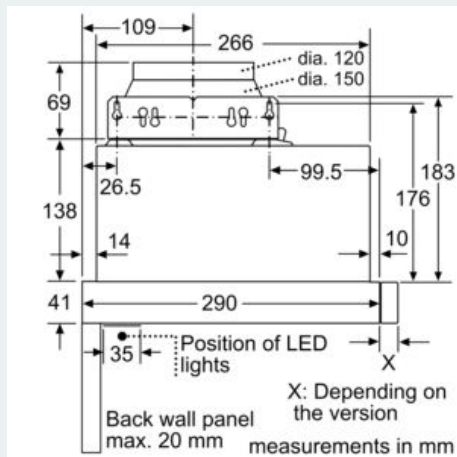
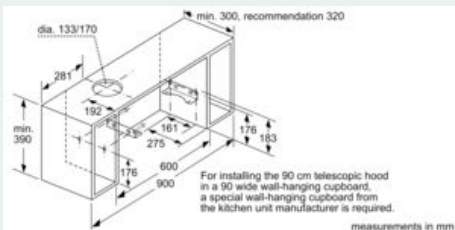
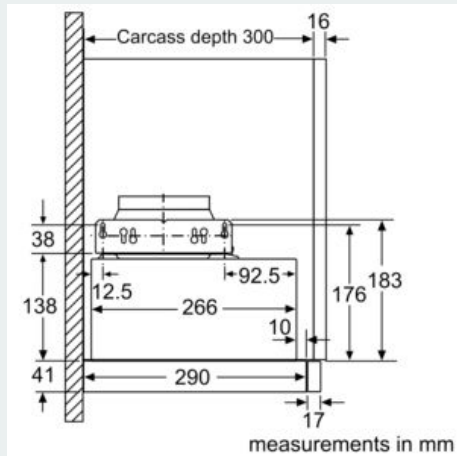
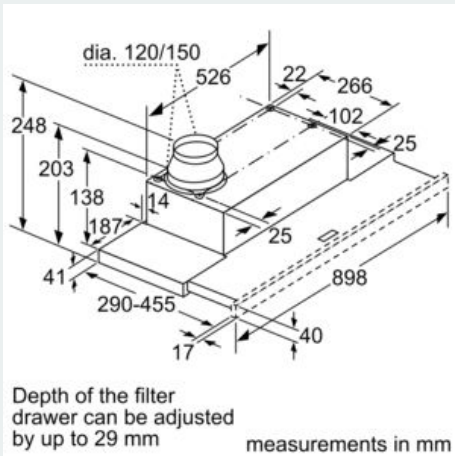
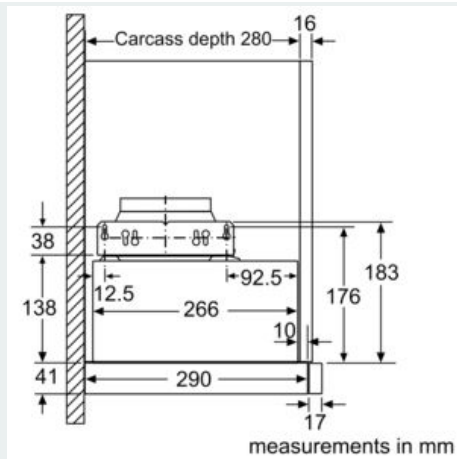
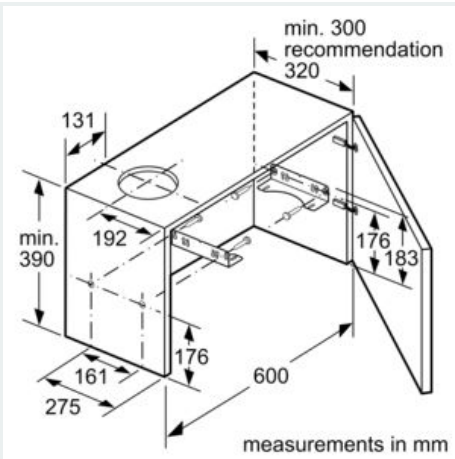
Performance/technical information

- Suitable for ducted and re-circulating operation
- For recirculated extraction recirculating kit (accessory) needed
- Extraction rate according to EN 61591 ø 15 cm:
 - max. Normal use 265 m³/h
 - Intensive 412 m³/h
- Noise level according to EN 60704-3 and EN 60704-2-13 exhaust air:
 - Max. normal use: 63 dB(A) re 1 pW
 - Intensive: 70 dB(A) re 1 pW
- 3 x power levels plus intensive setting
- Power rating: 76 W
- Automatic intensive revert
- Noise max. Normal Level: 63 dB*
- Extractor hose 150 mm
- Dimensions (WxD): 898 x 290 mm
- Built-in dimensions (HxWxD): 162 x 526 x 290 mm
- Dimensions exhaust air (HxWxD): 203-203 x 898 x 290 mm
- Diameter pipe Ø 150 mm (Ø 120 mm enclosed)
- Light Intensity: 593 lux
- Colour Temperature: 3500 K
- Average Energy Consumption: 22.6 kWh/year*
- Energy Efficiency Class: A (at a range of energy efficiency classes from A+++ to D)
- Blower Efficiency Class: B*
- Lighting Efficiency Class: A*
- Grease Filtering Efficiency Class: C*

* In accordance with the EU-Regulation No 65/2014

**iQ300, telescopic cooker hood, 90 cm,
Silver metallic
LI94MA530B**

Dimensioned drawings



iQ300, telescopic cooker hood, 90 cm,
Silver metallic
LI94MA530B

Dimensioned drawings

