

iQ500, telescopic cooker hood, 60 cm, Stainless steel LI67SA560B

B



For clean lines the powerful telescopic cooker hood disappears into an upper cabinet, perfect for modern kitchens.

- ✓ iQdrive motor - The quiet, high-performance motor ensures efficient removal of odours and steam.
- ✓ LED lights: for optimal visibility and ambience while cooking.
- ✓ Extremely quiet – The quiet hood that keeps the calm your kitchen.

Features

Technical Data

Typology : Pull-out
 Approval certificates : CE, VDE
 Length electrical supply cord : 175 cm
 Required niche size for installation (HxWxD) : 385mm x 524.0mm x 290mm mm
 Minimum distance above an electric hob : 430 mm
 Minimum distance above a gas hob : 650 mm
 Net weight : 12.166 kg
 Type of control : Electronic
 Number of speed settings : 3-stage + 2 intensive
 Maximum output air extraction : 381 m³/h
 Boost position output recirculating : 628 m³/h
 Maximum output recirculating air : 358 m³/h
 Boost position air extraction : 677 m³/h
 Number of lights : 2
 Noise level : 56 dB(A) re 1 pW
 Diameter of air outlet : 150 / 120 mm
 Grease filter material : Washable stainless steel
 EAN code : 4242003745748
 Connection Rating : 146 W
 Fuse protection : 10 A
 Voltage : 220-240 V
 Frequency : 60; 50 Hz
 Plug type : GB plug
 Installation typology : Built-in

Optional accessories

LZ46600	Lowering frame
LZ45650	Standard recirculation kit
LZ45610	Standard odor filter (replacement)
LZ10ITP00	Long Life odor filter (replacement)



4 242003 745748

iQ500, telescopic cooker hood, 60 cm, Stainless steel LI67SA560B

Features

Key Information

- Soft touch button control for extractor speeds and light
- Blue indicator lights
- 3 power levels and 2 intensive settings
- Automatic intensive revert
- softLight with dimmer function
- 2 x LED lights
- Efficient BLDC motor
- Automatic after running (10 minutes)
- Grease and charcoal filter saturation indicators
- 2 x metal grease filter cassettes
- Steel filter cover
- Silence kit
- Additional noise reduction insulation

Design

- 60 cm wide
- Stainless Steel
- Electronic control via Soft touch button control
- Neutral white lights
- For installation into a 60cm wide cupboard

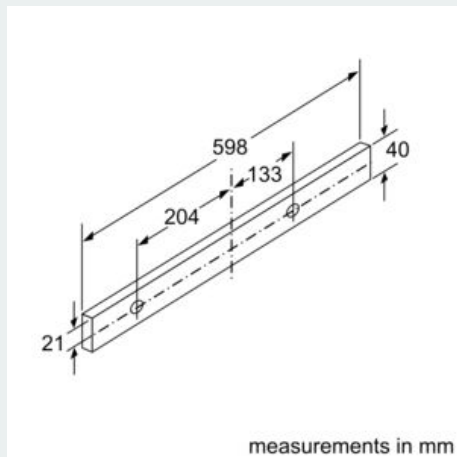
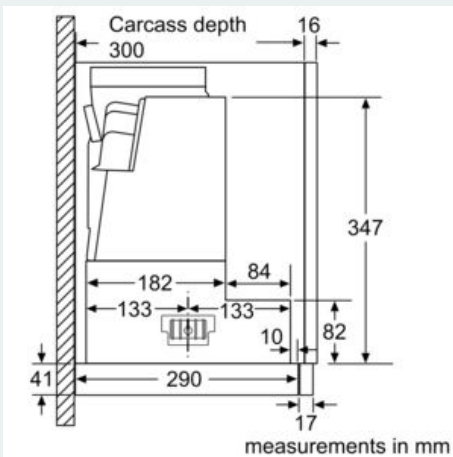
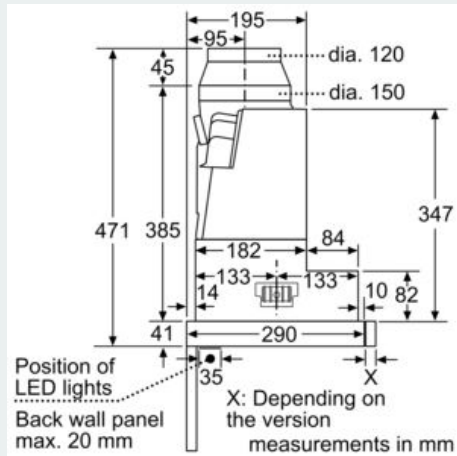
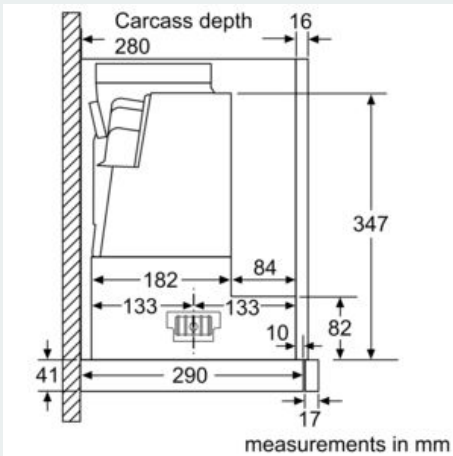
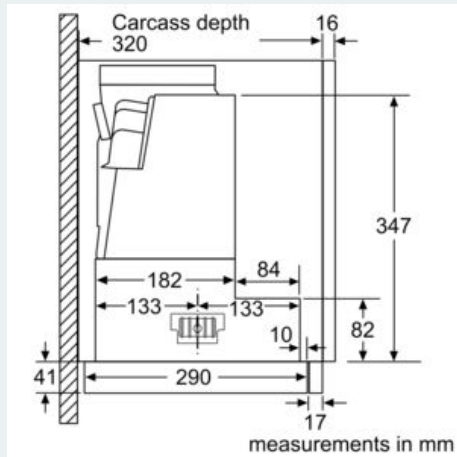
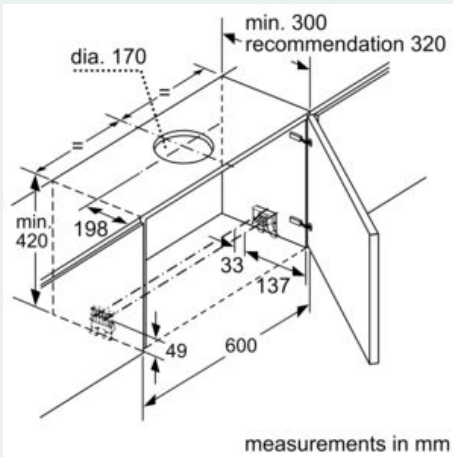
Performance/technical information

- Suitable for ducted and re-circulating operation
- For recirculated extraction recirculating kit or CleanAir recirculating kit (accessory) needed
- Extraction rate according to EN 61591 ø 15 cm:
- max. Normal use 381 m³/h
- Intensive 677 m³/h
- Noise level according to EN 60704-3 and EN 60704-2-13 exhaust air:
- Max. normal use: 56 dB(A) re 1 pW
- Intensive: 67 dB(A) re 1 pW
- Noise max. Normal Level: 56 dB*
- With the Clean Air Plus recirculation kit (available as optional accessory) your appliances reaches:
- Extraction rate in recirculation mode:
- Max. normal use: 358 m³/h
- Intensive: 628 m³/h
- Noise level in recirculation mode:
- Max. normal use: 60 dB(A) re 1 pW
- Intensive: 71 dB(A) re 1 pW
- Power rating: 146 W
- Extractor hose 150 mm
- Dimensions (WxD): 598 x 290 mm
- Built-in dimensions (HxWxD): 385 x 524 x 290 mm
- Dimensions exhaust air (HxWxD): 426-426 x 598 x 290 mm
- Diameter pipe ø 150 mm (ø 120 mm enclosed)
- Light Intensity: 711 lux
- Colour Temperature: 3500 K
- Average Energy Consumption: 41.3 kWh/year*
- Energy Efficiency Class: B (at a range of energy efficiency classes from A+++ to D)
- Blower Efficiency Class: B*
- Lighting Efficiency Class: A*
- Grease Filtering Efficiency Class: B*

* In accordance with the EU-Regulation No 65/2014

**iQ500, telescopic cooker hood, 60 cm,
Stainless steel
LI67SA560B**

Dimensioned drawings



iQ500, telescopic cooker hood, 60 cm,
Stainless steel
LI67SA560B

Dimensioned drawings

