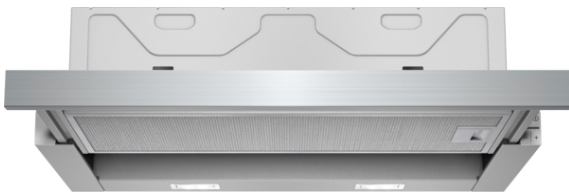


## iQ300, telescopic cooker hood, 60 cm, Silver metallic LI64MA530B

A



For clean lines the powerful telescopic cooker hood disappears into an upper cabinet, perfect for modern kitchens.

- ✓ iQdrive motor - The quiet, high-performance motor ensures efficient removal of odours and steam.
- ✓ LED lights: for optimal visibility and ambience while cooking.

### Features

#### Technical Data

Typology : Pull-out  
 Approval certificates : CE, VDE  
 Length electrical supply cord : 175 cm  
 Required niche size for installation (HxWxD) : 162mm x 526.0mm x 290mm mm  
 Minimum distance above an electric hob : 430 mm  
 Minimum distance above a gas hob : 650 mm  
 Net weight : 8.5 kg  
 Type of control : Electronic  
 Maximum output air extraction : 270 m<sup>3</sup>/h  
 Boost position output recirculating : 171.0 m<sup>3</sup>/h  
 Maximum output recirculating air : 159 m<sup>3</sup>/h  
 Boost position air extraction : 404 m<sup>3</sup>/h  
 Number of lights : 2  
 Noise level : 62 dB(A) re 1 pW  
 Diameter of air outlet : 150 / 120 mm  
 Grease filter material : Washable aluminium  
 EAN code : 4242003745335  
 Connection Rating : 76 W  
 Fuse protection : 10 A  
 Voltage : 220-240 V  
 Frequency : 60; 50 Hz  
 Plug type : GB plug  
 Installation typology : Built-in

### Optional accessories

LZ45510	Standard odor filter (replacement)
LZ45450	Standard recirculation kit



4 242003 745335

## iQ300, telescopic cooker hood, 60 cm, Silver metallic LI64MA530B

### Features

#### Key Information

- Soft touch button control for extractor speeds and light
- 2 x LED lights
- 2 x metal grease filter cassettes
- Steel filter cover
- Pyramid filter
- Automatic intensive revert (6mins)
- Automatic after running (10 minutes)

#### Design

- 60 cm wide
- Silver metallic lacquer
- Electronic control via Soft touch button control
- Neutral white lights
- For installation into a 60cm wide cupboard

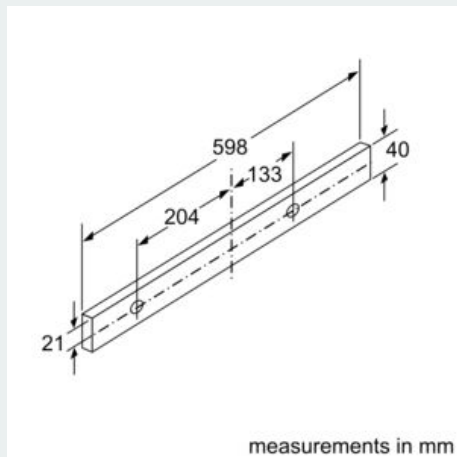
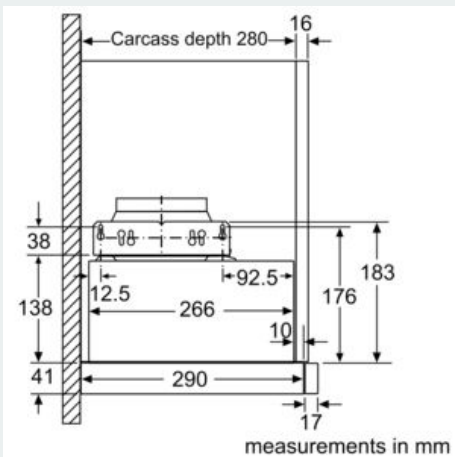
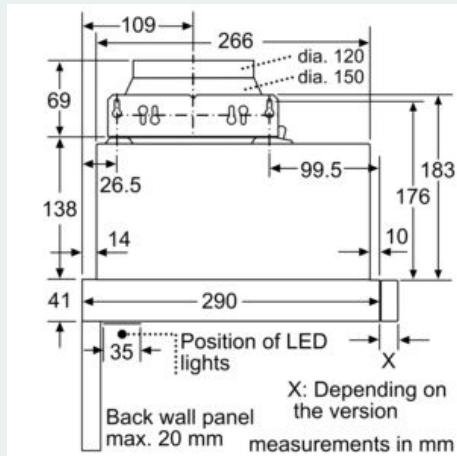
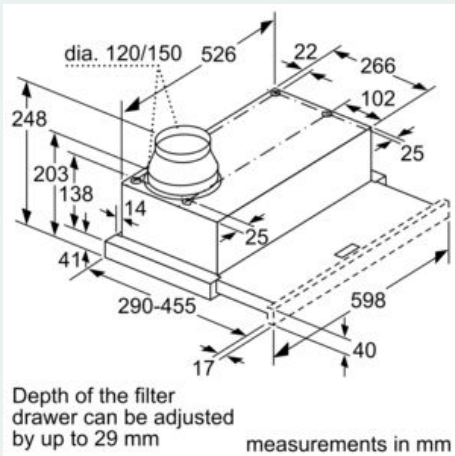
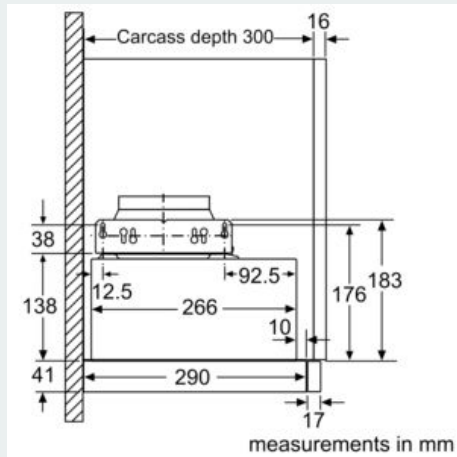
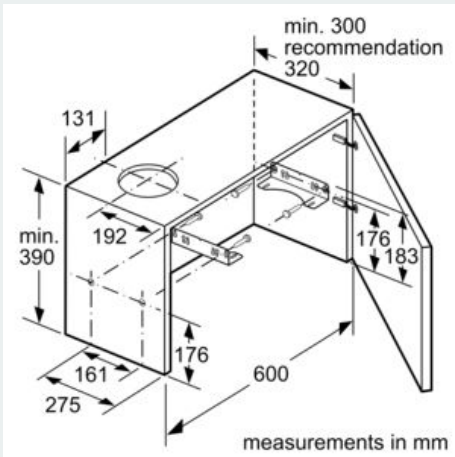
#### Performance/technical information

- Suitable for ducted and re-circulating operation
- For recirculated extraction recirculating kit (accessory) needed
- Extraction rate according to EN 61591  $\varnothing$  15 cm:
- max. Normal use 270 m<sup>3</sup>/h
- Intensive 404 m<sup>3</sup>/h
- Noise level according to EN 60704-3 and EN 60704-2-13 exhaust air:
- Max. normal use: 62 dB(A) re 1 pW
- Intensive: 69 dB(A) re 1 pW
- 3 x power levels plus intensive setting
- Power rating: 76 W
- Automatic intensive revert
- Noise max. Normal Level: 62 dB\*
- Extractor hose 150 mm
- Dimensions (WxD): 598 x 290 mm
- Built-in dimensions (HxWxD): 162 x 526 x 290 mm
- Dimensions exhaust air (HxWxD): 203-203 x 598 x 290 mm
- Diameter pipe  $\varnothing$  150 mm ( $\varnothing$  120 mm enclosed)
- Light Intensity: 766 lux
- Colour Temperature: 3500 K
- Average Energy Consumption: 23.6 kWh/year\*
- Energy Efficiency Class: A (at a range of energy efficiency classes from A+++ to D)
- Blower Efficiency Class: B\*
- Lighting Efficiency Class: A\*
- Grease Filtering Efficiency Class: C\*

\* In accordance with the EU-Regulation No 65/2014

**iQ300, telescopic cooker hood, 60 cm,  
Silver metallic  
LI64MA530B**

Dimensioned drawings



**iQ300, telescopic cooker hood, 60 cm,  
Silver metallic  
LI64MA530B**

Dimensioned drawings

