

iQ700
Chimney hood
LC97BF532B
Box slimline design

A+



Perfect for smaller spaces the wall-mounted chimney hood features a high extraction rate.

- ✓ The 730 m³/h extraction rate supplies clean air when cooking.
- ✓ The energy-saving LED lighting ensures optimal visibility when cooking.
- ✓ When required the intensive setting temporarily increases the extraction rate, with automatic revert after 6 min.
- ✓ At 41 dB the hood is extremely quiet when being used.

Features

Technical Data

Color chimney : Stainless steel
 Typology : Chimney
 Approval certificates : CE, VDE
 Length electrical supply cord (cm) : 130
 Height of the chimney (mm) : 582-908/582-1018
 Height of product, without chimney (mm) : 46
 Minimum distance above an electric hob : 550
 Minimum distance above a gas hob : 650
 Net weight (kg) : 18.501
 Type of control : Electronic
 Maximum output air extraction (m³/h) : 460
 Boost position output recirculating (m³/h) : 430
 Maximum output recirculating air (m³/h) : 350
 Boost position air extraction (m³/h) : 730
 Number of lights : 3
 Noise level (dB(A) re 1 pW) : 55
 Diameter of air outlet (mm) : 150 / 120
 Grease filter material : Washable aluminium
 EAN code : 4242003706923
 Connection Rating (W) : 139
 Current (A) : 10
 Voltage (V) : 220-240
 Frequency (Hz) : 50; 60
 Plug type : GB plug
 Installation typology : Wall-mounted

Optional accessories

LZ57300	cleanAir Recirculation Kit
LZ56200	CleanAir active carbon filter spare part
LZ53451	Active carbon filter
LZ53450	Recirculating kit
LZ50960	Backboard 90x65cm
LZ12365	Chimney extension 1500 mm
LZ12265	Chimney extension 1000 mm
LZ00XP00	CleanAir act.carbon filter regenerative



4 242003 706923

iQ700

Chimney hood

LC97BF532B

Box slimline design

Features

Design

- 90 cm wide
- Stainless Steel
- Electronic control via Soft touch button control
- For wall mounted installation

Key Information

- Soft touch button control for extractor speeds and light
- 3 x LED lights
- 3 x metal grease filter cassettes - dishwasher safe
- Steel filter cover
- Inner frame

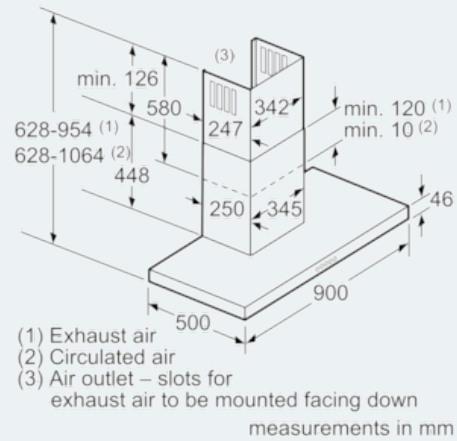
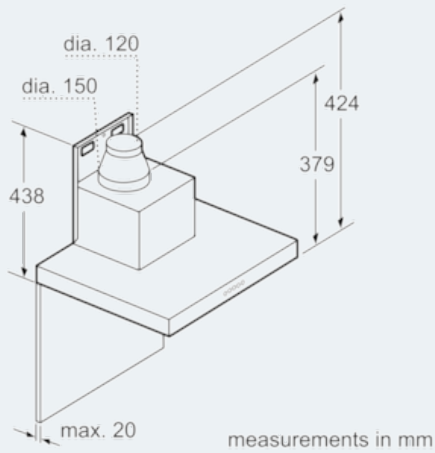
Performance/technical information

- Suitable for ducted and re-circulating operation
- For recirculated extraction recirculating kit or CleanAir recirculating kit (accessory) needed
- Extraction rate according to EN 61591 ø 15 cm:
 - max. Normal use 460 m³/h
 - Intensive 730 m³/h
- Noise level according to EN 60704-3 and EN 60704-2-13 exhaust air:
 - Max. normal use: 55 dB(A) re 1 pW (41 dB(A) re 20 µPa sound pressure)
 - Intensive: 65 dB(A) re 1 pW (51 dB(A) re 20 µPa sound pressure)
- Additional noise reduction insulation
- 3 x power levels plus intensive setting
-
-
- Automatic intensive revert
- Noise max. Normal Level: 55 dB*
- Extractor hose 150 mm
- Dimensions (WxD): 900 x 500 mm
- Dimensions exhaust air (HxWxD): 628-954 x 900 x 500 mm
- Dimensions recirculating with cleanAir module (HxWxD): 809-1139 x 900 x 500 mm
- Diameter pipe Ø 150 mm (Ø 120 mm enclosed)
- Light Intensity: 897 lux
- Colour Temperature: 3500 K
- Average Energy Consumption: 32.5 kWh/year*
- Energy Efficiency Class: A+ (at a range of energy efficiency classes from A++ to E)*
- Blower Efficiency Class: A*
- Lighting Efficiency Class: A*
- Grease Filtering Efficiency Class: C*

* In accordance with the EU-Regulation No 65/2014

iQ700
Chimney hood
LC97BF532B
Box slimline design

Dimensioned drawings



- (1) Exhaust air
- (2) Circulated air
- (3) Air outlet – slots for exhaust air to be mounted facing down

