

## IQ300, Wall-mounted cooker hood, 90 cm, Clear glass LC97AFM50B



**B**



### Optional accessories

LZ12250 Chimney extension 1000 mm, LZ12350 Chimney extension 1500 mm, LZ31XXB16 Clean Air Plus odor filter (replacement), LZ50960 Backboard 90x65cm, LZ50961 Backboard 90 x 72 cm, LZ10FXJ00 Long Life recirculation kit, LZ11DXB14 Clean Air Standard odor filter (repl.), LZ11DXI14 Clean Air Standard recirculation kit, LZ11DXI16 Clean Air Plus recirculation kit, LZ11FXC56 Clean Air Plus recirc. kit external, LZ11FXD51 Long Life recirculation kit external, LZ00XXP00 Long Life odor filter (replacement), LZ10DXA00 Standard odor filter (replacement), LZ10DXU00 Standard recirculation kit

Glass design extractor hood with a high extraction rate.

- ✓ LED lights: for optimal visibility and ambience while cooking.
- ✓ touchControl: quickly and easily manage the power levels and the LED light

### Features

#### Technical Data

Typology: .....	Wall-mounted
Length electrical supply cord: .....	130.0 cm
Height of the chimney: .....	576-897/576-1007 mm
Height of the appliance: .....	50 mm
Minimum distance above an electric hob: .....	550 mm
Minimum distance above a gas hob: .....	650 mm
Weight: .....	16.0 kg
Type of control: .....	Electronic
Number of speed settings: .....	3-stages + intensive setting
Maximum output air extraction: .....	464 m <sup>3</sup> /h
Boost position output recirculating: .....	499 m <sup>3</sup> /h
Maximum output recirculating air: .....	404 m <sup>3</sup> /h
Boost position air extraction: .....	702 m <sup>3</sup> /h
Maximum Air flow: .....	464 m <sup>3</sup> /h
Number of lights: .....	2
Noise level: .....	67 dB(A) re 1 pW
Diameter of air outlet: .....	120 / 150 mm
Grease filter material: .....	Washable stainless steel
EAN code: .....	4242003811245
Connection Rating: .....	255 W
Fuse protection: .....	10 A
Nominal power: .....	220-240 V
Frequency: .....	50; 60 Hz
Plug type: .....	GB plug
Installation type: .....	Wall-mounted



## IQ300, Wall-mounted cooker hood, 90 cm, Clear glass LC97AFM50B

### Features

#### Key performance features:

- Energy Efficiency Class: B (at a range of energy efficiency classes from A+++ to D)
- Extraction rate according to EN 61591  $\varnothing$  15 cm:
- max. Normal use 463 m<sup>3</sup>/h
- Intensive 702 m<sup>3</sup>/h
- Noise max. Normal Level: 67 dB\*

#### Features

- touchControl for extractor speeds and light
- touchControl with Electronic display
- 3 x power levels plus intensive setting
- Twin channel high performance fan motor
- 2 x 1.5W LED
- Colour Temperature: 3500 K
- Automatic intensive revert (6mins)
- 1 x metal grease filter cassette
- Steel filter cover
- For wall mounted installation

#### Design

- Chimney hood
- Electronic control

#### Performance/technical information

- Suitable for ducted and re-circulating operation
- For recirculated extraction a recirculating kit or a CleanAir recirculation kit (accessory) is needed
- Max. extraction rate: 702 m<sup>3</sup>/h
- Noise level according to EN 60704-3 and EN 60704-2-13 exhaust air:
- Max. normal use: 67 dB(A) re 1 pW
- Intensive: 74 dB(A) re 1 pW
- With the Clean Air Plus recirculation kit (available as optional accessory) your appliances reaches:
- Extraction rate in recirculation mode: Max. normal use: 404 m<sup>3</sup>/h
- Intensive: 499 m<sup>3</sup>/h
- Noise level in recirculation mode: Max. normal use: 72 dB(A) re 1 pW
- Intensive: 76 dB(A) re 1 pW
- Power rating: 255 W
- Light Intensity: 232 lux
- Electrical cable length 1.3 m
- Diameter pipe  $\varnothing$  150 mm ( $\varnothing$  120 mm enclosed)
- Dimensions exhaust air (HxWxD): 617-947 x 900 x 488 mm
- Dimensions recirculating, chimney (HxWxD): 617-1057 x 900 x 488 mm
- Dimensions recirculating with CleanAir module (HxWxD):
- 686 x 900 x 488 mm - mounting with outer chimney
- 815-1145 x 900 x 488 mm - mounting with telescopic chimney
- Blower Efficiency Class: B\*
- Lighting Efficiency Class: A\*

- Grease Filtering Efficiency Class: B\*
- Average Energy Consumption: 58 kWh/year\*

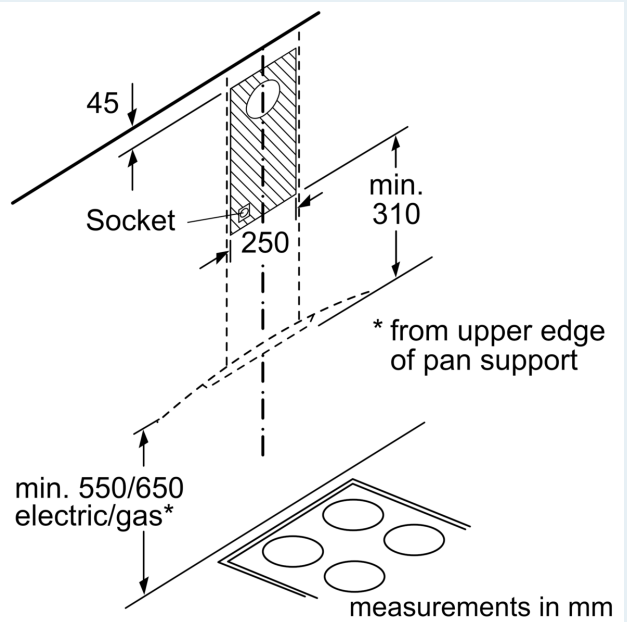
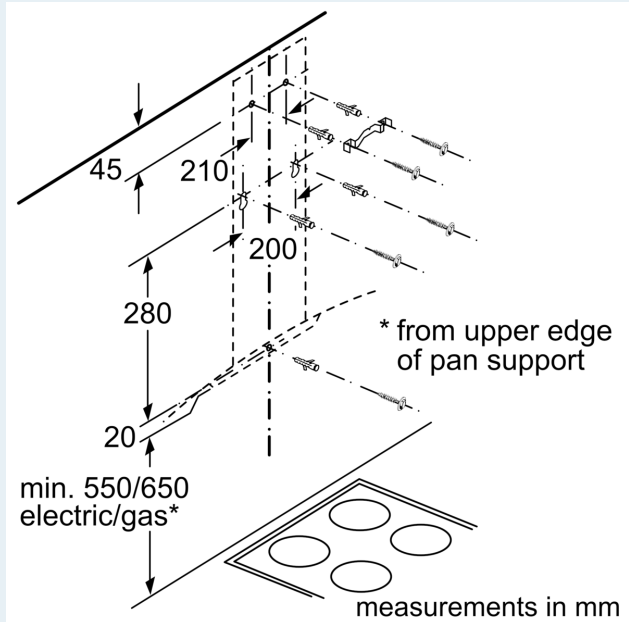
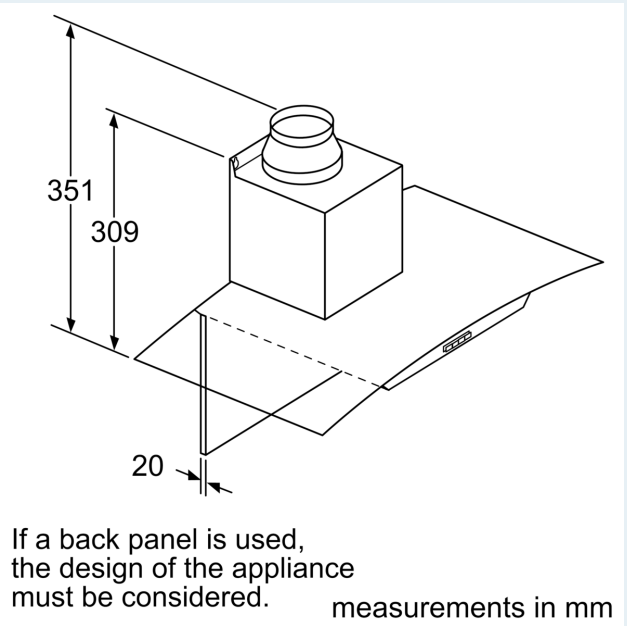
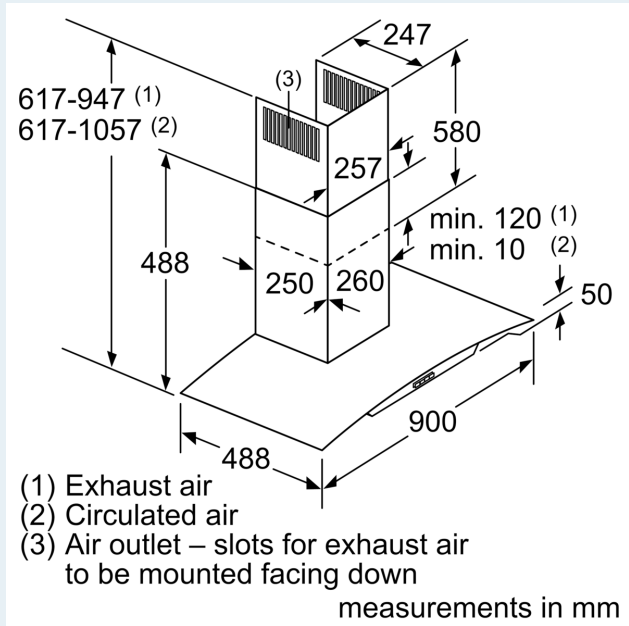
#### Optional accessories

- Recirculating kit LZ12250

\* In accordance with the EU-Regulation No 65/2014

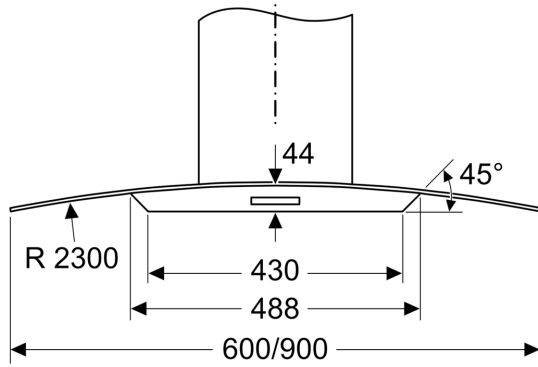
**IQ300, Wall-mounted cooker hood, 90 cm, Clear glass LC97AFM50B**

Dimensioned drawings



## Dimensioned drawings

measurements in mm



Dimensions for designing rear wall panels.  
Please ensure that all dimensions are within  
the tolerances. The actual dimensions must  
be checked on the appliance in question.