

IQ700, Wall-mounted cooker hood, 90 cm, Clear glass black printed LC91KWW60B



Optional accessories

LZ00XP00	Long Life odor filter (replacement)
LZ10AKR00	Long Life recirculation kit (chimless)
LZ10AKS00	Long Life recirculation kit
LZ10AXK50	Chimney extension 1000 mm
LZ10AXL50	Chimney extension 1500 mm
LZ11AKB16	Clean Air Plus odor filter (replacement)
LZ11AKI16	Clean Air Plus recirculation kit
LZ11AKV16	Clean Air Plus recirc. kit (chimless)
LZ11AXC56	Clean Air Plus recirc. kit external
LZ11AXE61	Chimney standard black
LZ31XXB16	Clean Air Plus odor filter (replacement)

Angled extractor hood with outstanding design and high extraction rate for a powerful performance.

- ✓ iQdrive motor - The quiet, high-performance motor ensures efficient removal of odours and steam.
- ✓ cookConnect system and climate control sensor: Perfect cooperation
- ✓ emotionLight Pro: Adapt your extractor hood to your style.
- ✓ voiceControl – Control hood functions and lighting using your voice.
- ✓ Home Connect – The app that makes your hood work smarter.

Features

Technical Data

Typology:	Wall-mounted
Length electrical supply cord:	130.0 cm
Height of the appliance:	323 mm
Minimum distance above an electric hob:	450 mm
Minimum distance above a gas hob:	650 mm
Weight:	24.5 kg
Type of control:	Electronic
Number of speed settings:	3-stage + 2 intensive
Maximum output air extraction:	525 m³/h
Boost position output recirculating:	512 m³/h
Maximum output recirculating air:	402 m³/h
Boost position air extraction:	991 m³/h
Maximum Air flow:	525 m³/h
Number of lights:	2
Noise level:	58 dB(A) re 1 pW
Diameter of air outlet:	120 / 150 mm
Grease filter material:	Washable aluminium
EAN code:	4242003761113
Connection Rating:	270 W
Fuse protection:	10 A
Nominal power:	220-240 V
Frequency:	50; 60 Hz
Plug type:	GB plug
Installation type:	Wall-mounted
Delay Shut off modes:	10 min



IQ700, Wall-mounted cooker hood, 90 cm, Clear glass black printed LC91KWW60B

Features

Key performance features:

- Energy Efficiency Class: A+ (at a range of energy efficiency classes from A+++ to D)
- Extraction rate according to EN 61591 ϕ 15 cm:
- max. Normal use: 525 m³/h
- Intensive: 991 m³/h
- Noise max. Normal Level: 58 dB*

Features

- climateControl sensor
- emotionLight pro: Ambient light
- Boost function
- cookConnect hob based hood control

Home Connect: Remote Monitoring and Control

- 3 power levels and 2 intensive settings
- softLight with dimmer function
- SoftLight with dimmer function
- 2 x 3w LED Light
- Colour Temperature: 3500 K
- Efficient BLDC motor
- Twin channel high performance fan motor
- Automatic after running (10 minutes)
- Automatic intensive revert (6mins)
- 2 x metal grease filter cassettes
- Grease and charcoal filter saturation indicators
- easy to clean Inner frame
- For wall mounted installation
- Rim ventilation

Design

- Black glass
- Chimney hood
- Installation system: Wall fixing inclined/flat/cube
- touchControl for extractor speeds and light
- Electronic control

Performance/technical information

- Suitable for ducted and re-circulating operation
- In recirculation operation chimless use possible
- For recirculated extraction a recirculating kit or a CleanAir recirculation kit (accessory) is needed
- Max. extraction rate: 991 m³/h
- Noise level according to EN 60704-3 and EN 60704-2-13 exhaust air:
- Max. normal use: 58dB(A) re 1 pW
- Intensive: 71 dB(A) re 1 pW
- Power rating: 270 W
- Light Intensity: 519 lux
- Electrical cable length 1.3 m

- Diameter pipe ϕ 150 mm (ϕ 120 mm enclosed)
- Dimensions exhaust air (HxWxD): 930-1200 x 890 x 499 mm
- Dimensions recirculating, chimney (HxWxD): 990-1260 x 890 x 499mm
- Dimensions recirculating, chimless (HxWxD): 454 mm x 890 x 499 mm
- Dimensions recirculating with CleanAir module (HxWxD):
- 1120 x 890 x 499mm - mounting with outer chimney
- 1190-1460 x 890 x 499 mm - mounting with telescopic chimney
- Blower Efficiency Class: A*
- Lighting Efficiency Class: A*
- Grease Filtering Efficiency Class: B*
- Average Energy Consumption: 38.5 kWh/year*

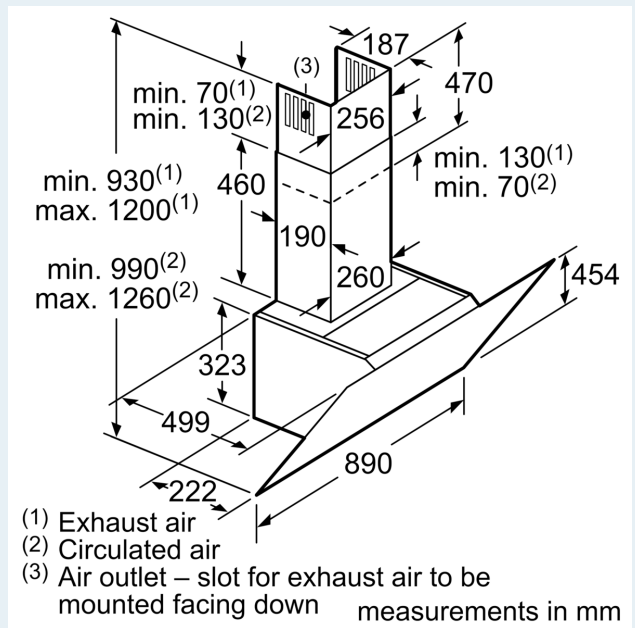
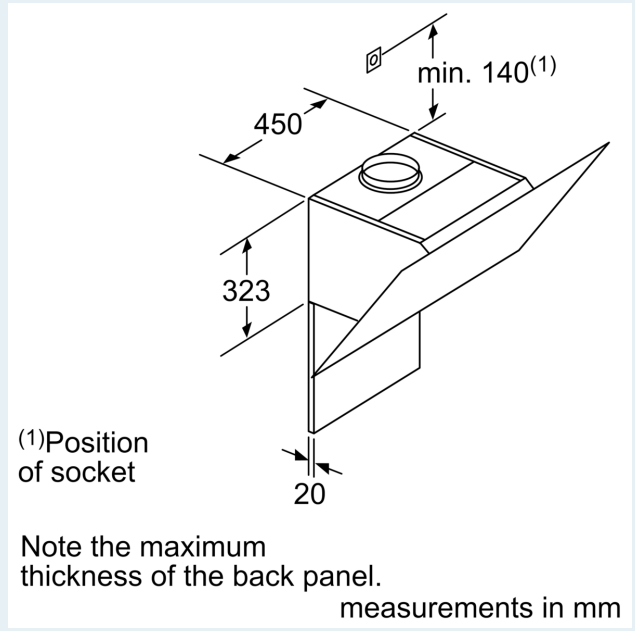
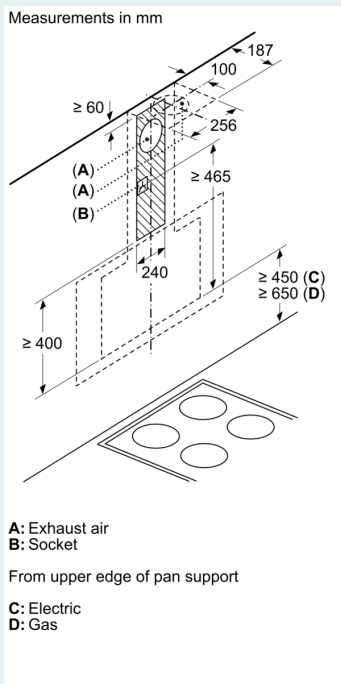
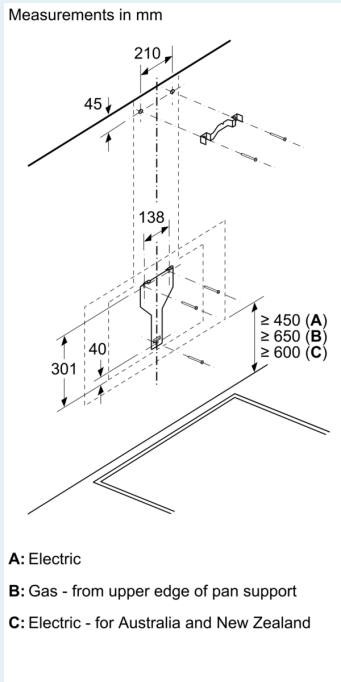
Optional accessories

- Recirculating kit LZ00XXP00

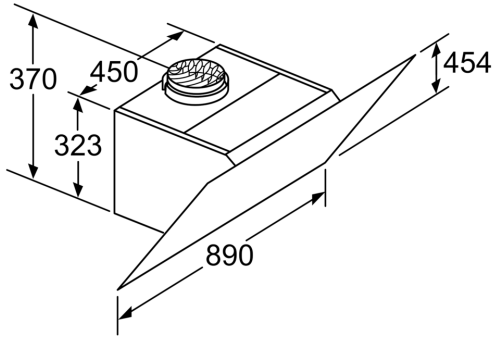
* In accordance with the EU-Regulation No 65/2014

IQ700, Wall-mounted cooker hood, 90 cm, Clear glass black printed LC91KWW60B

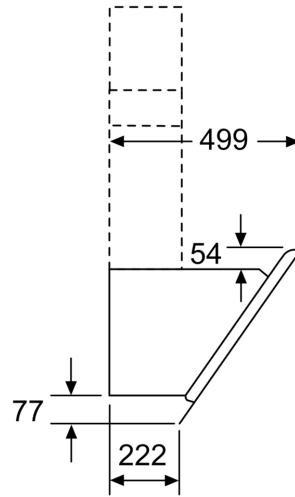
Dimensioned drawings



Dimensioned drawings



Appliance in circulated air mode
without duct
Circulated air set required
measurements in mm



measurements in mm