

IQ300, Wall-mounted cooker hood, 75 cm, Stainless steel LC77BHM50B



B



Optional accessories

- LZ00XP00 Long Life odor filter (replacement)
- LZ10DXA00 Standard odor filter (replacement)
- LZ10DXU00 Standard recirculation kit
- LZ10FXJ00 Long Life recirculation kit
- LZ11DXB14 Clean Air Standard odor filter (repl.)
- LZ11DXI14 Clean Air Standard recirculation kit
- LZ11DXI16 Clean Air Plus recirculation kit
- LZ11FXC56 Clean Air Plus recirc. kit external
- LZ11FXD51 Long Life recirculation kit external
- LZ12250 Chimney extension 1000 mm
- LZ12350 Chimney extension 1500 mm
- LZ31XXB16 Clean Air Plus odor filter (replacement)

Box design extractor hood with high extraction rate.

- ✓ LED lights: for optimal visibility and ambience while cooking.
- ✓ touchControl: quickly and easily manage the power levels and the LED light

Features

Technical Data

Typology: Wall-mounted
 Length electrical supply cord: 130.0 cm
 Height of the chimney: 583-912/583-1022 mm
 Height of the appliance: 53 mm
 Minimum distance above an electric hob: 550 mm
 Minimum distance above a gas hob: 650 mm
 Weight: 13.5 kg
 Type of control: Electronic
 Number of speed settings: 3-stages + intensive setting
 Maximum output air extraction: 454 m³/h
 Boost position output recirculating: 499 m³/h
 Maximum output recirculating air: 404 m³/h
 Boost position air extraction: 739 m³/h
 Maximum Air flow: 454 m³/h
 Number of lights: 2
 Noise level: 65 dB(A) re 1 pW
 Diameter of air outlet: 120 / 150 mm
 Grease filter material: Washable stainless steel
 EAN code: 4242003824184
 Connection Rating: 255 W
 Fuse protection: 10 A
 Nominal power: 220-240 V
 Frequency: 50; 60 Hz
 Plug type: GB plug
 Installation type: Wall-mounted



IQ300, Wall-mounted cooker hood, 75 cm, Stainless steel LC77BHM50B

Features

Key performance features:

- Energy Efficiency Class: B (at a range of energy efficiency classes from A+++ to D)
- Extraction rate according to EN 61591 ø 15 cm:
- max. Normal use: 453 m³/h
- Intensive: 739 m³/h
- Noise max. Normal Level: 65 dB*

Features

- touchControl for extractor speeds and light
- touchControl with Electronic display
- 3 x power levels plus intensive setting
- Twin channel high performance fan motor
- 2 x 1.5W LED
- Colour Temperature: 3500 K
- Automatic intensive revert (6mins)
- 2 x metal grease filter cassettes
- Steel filter cover
- For wall mounted installation

Design

- Chimney hood
- Electronic control

Performance/technical information

- Suitable for ducted and re-circulating operation
- For recirculated extraction a recirculating kit or a CleanAir recirculation kit (accessory) is needed
- Max. extraction rate: 739 m³/h
- Noise level according to EN 60704-3 and EN 60704-2-13 exhaust air:
- Max. normal use: 65dB(A) re 1 pW
- Intensive: 74 dB(A) re 1 pW
- With the Clean Air Plus recirculation kit (available as optional accessory) your appliances reaches:
- Extraction rate in recirculation mode: Max. normal use: 404 m³/h
- Intensive: 499 m³/h
- Noise level in recirculation mode: Max. normal use: 72dB(A) re 1 pW
- Intensive: 76 dB(A) re 1 pW
- Power rating: 255 W
- Light Intensity: 214 lux
- Electrical cable length 1.3 m
- Diameter pipe Ø 150 mm (Ø 120 mm enclosed)
- Dimensions exhaust air (HxWxD): 635-965 x 750 x 500 mm
- Dimensions recirculating, chimney (HxWxD): 635-1075 x 750 x 500mm
- Dimensions recirculating with CleanAir module (HxWxD):
- 703 x 750 x 500mm - mounting with outer chimney
- 833-1163 x 750 x 500 mm - mounting with telescopic chimney
- Blower Efficiency Class: B*
- Lighting Efficiency Class: A*
- Grease Filtering Efficiency Class: B*
- Average Energy Consumption: 62.5 kWh/year*

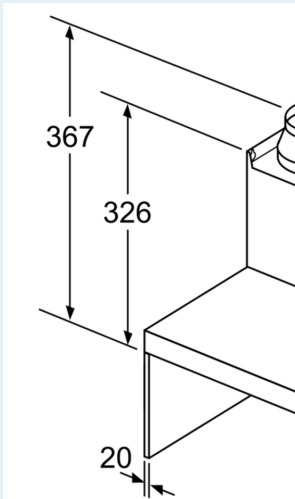
Optional accessories

- Recirculating kit LZ00XXP00

* In accordance with the EU-Regulation No 65/2014

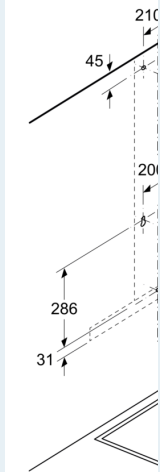
IQ300, Wall-mounted cooker hood, 75 cm, Stainless steel LC77BHM50B

Dimensioned drawings



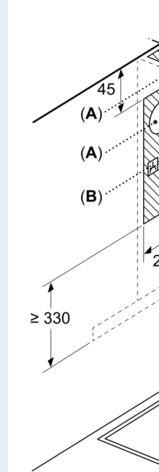
If a back panel is used the design of the appliance must be considered.

Measurements in mm

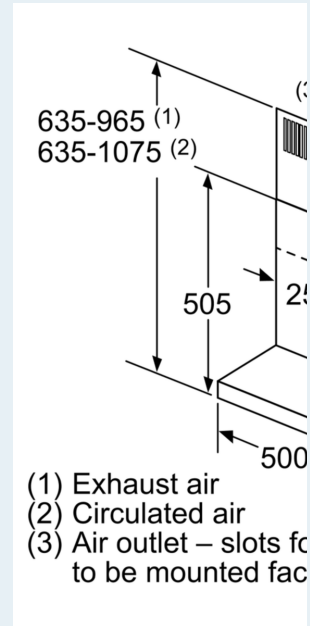


- A: Electric
- B: Gas - from upper cabinet
- C: Electric - for Australia

Measurements in mm



- A: Exhaust air outlet
- B: Socket
- C: Electric
- D: Gas - from upper cabinet
- E: Electric - for Australia



- (1) Exhaust air
- (2) Circulated air
- (3) Air outlet – slots for to be mounted face