

## IQ100, Wall-mounted cooker hood, 60 cm, Stainless steel LC64BBC50B



Box design extractor hood with high extraction rate.

✓ LED lights: for optimal visibility and ambience while cooking.

### Features

#### Technical Data

Typology: ..... Wall-mounted  
 Length electrical supply cord: ..... 130.0 cm  
 Height of the chimney: ..... 583-912/583-1022 mm  
 Height of the appliance: ..... 53 mm  
 Minimum distance above an electric hob: ..... 550 mm  
 Minimum distance above a gas hob: ..... 650 mm  
 Weight: ..... 11.6 kg  
 Type of control: ..... mechanical  
 Number of speed settings: ..... 3  
 Maximum output air extraction: ..... 365 m<sup>3</sup>/h  
 Maximum output recirculating air: ..... 240 m<sup>3</sup>/h  
 Maximum Air flow: ..... 365 m<sup>3</sup>/h  
 Number of lights: ..... 2  
 Noise level: ..... 63 dB(A) re 1 pW  
 Diameter of air outlet: ..... 120 / 150 mm  
 Grease filter material: ..... Washable aluminium  
 EAN code: ..... 4242003811047  
 Connection Rating: ..... 100 W  
 Fuse protection: ..... 10 A  
 Nominal power: ..... 220-240 V  
 Frequency: ..... 50; 60 Hz  
 Plug type: ..... GB plug  
 Installation type: ..... Wall-mounted



### Optional accessories

LZ00XXP00 Long Life odor filter (replacement), LZ10DXA00 Standard odor filter (replacement), LZ10DXU00 Standard recirculation kit, LZ10FXJ00 Long Life recirculation kit, LZ11DXB14 Clean Air Standard odor filter (repl.), LZ11DXI14 Clean Air Standard recirculation kit, LZ11DXI16 Clean Air Plus recirculation kit, LZ11FXC56 Clean Air Plus recirc. kit external, LZ50660 Backboard 60 x 65 cm, LZ50661 Backboard 60 x 72 cm, LZ12350 Chimney extension 1500 mm, LZ31XXB16 Clean Air Plus odor filter (replacement), LZ11FXD51 Long Life recirculation kit external, LZ12250 Chimney extension 1000 mm

## IQ100, Wall-mounted cooker hood, 60 cm, Stainless steel LC64BBC50B

### Features

#### Key performance features:

- Energy Efficiency Class: D (at a range of energy efficiency classes from A+++ to D)
- Max. extraction rate: 365 m<sup>3</sup>/h
- Noise max. Normal Level: 63 dB\*

#### Features

- Push button control for extractor speeds and light
- 3 x power levels
- Twin channel high performance fan motor
- 2 x 1.5W LED
- Colour Temperature: 3500 K
- 2 x metal grease filter cassettes
- For wall mounted installation

#### Design

- Chimney hood
- Mechanical

#### Performance/technical information

- Suitable for ducted and re-circulating operation
- For recirculated extraction a recirculating kit or a CleanAir recirculation kit (accessory) is needed
- Maximum extraction rate exhaust air 365 m<sup>3</sup>/h according to EN 61591
- Noise level according to EN 60704-3 and EN 60704-2-13 at max. normal use exhaust air: 63 dB(A) re 1 pW
- With the Clean Air Plus recirculation kit (available as optional accessory) your appliances reaches:
- Extraction rate in recirculation mode: Max. normal use:240m<sup>3</sup>/h
- Noise level in recirculation mode: Max. normal use:65 dB(A) re 1 pW
- Power rating: 100 W
- Light Intensity: 99 lux
- Electrical cable length 1.3 m
- Diameter pipe Ø 150 mm (Ø 120 mm enclosed)
- Dimensions exhaust air (HxWxD): 635-965 x 600 x 500 mm
- Dimensions recirculating, chimney (HxWxD): 635-1075 x 600 x 500mm
- Dimensions recirculating with CleanAir module (HxWxD):
- 703 x 600 x 500mm - mounting with outer chimney
- 833-1163 x 600 x 500 mm - mounting with telescopic chimney
- Blower Efficiency Class: E\*
- Lighting Efficiency Class: A\*
- Grease Filtering Efficiency Class: C\*
- Average Energy Consumption: 53.1 kWh/year\*

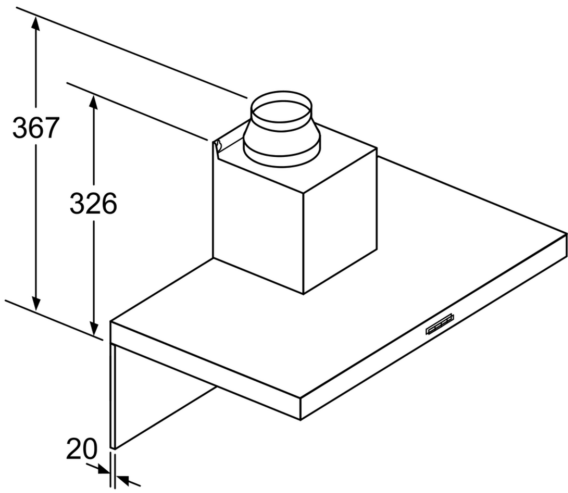
#### Optional accessories

- Recirculating kit LZ00XXP00

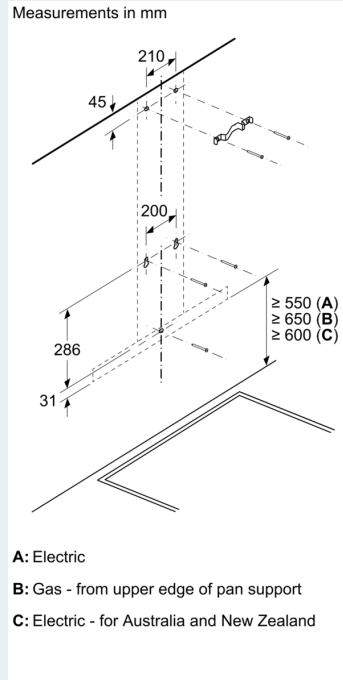
\* In accordance with the EU-Regulation No 65/2014

**IQ100, Wall-mounted cooker hood, 60 cm, Stainless steel LC64BBC50B**

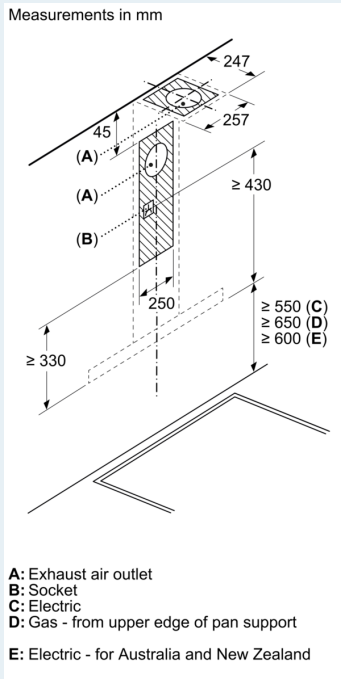
Dimensioned drawings



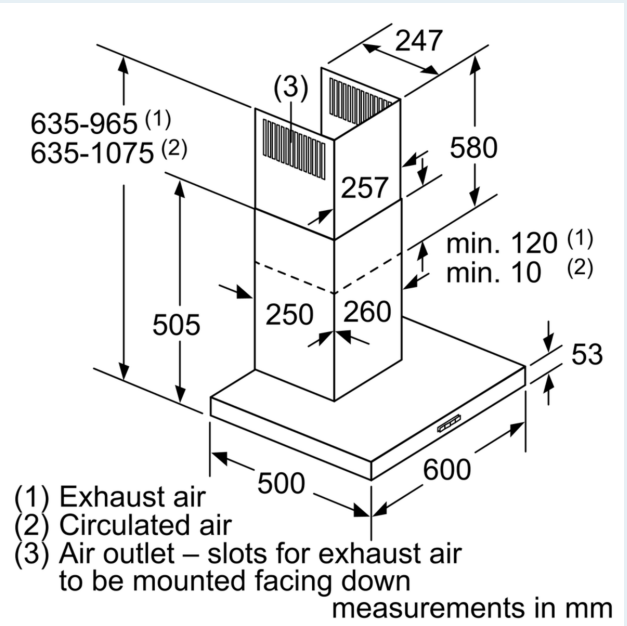
If a back panel is used, the design of the appliance must be considered. measurements in mm



A: Electric  
 B: Gas - from upper edge of pan support  
 C: Electric - for Australia and New Zealand



A: Exhaust air outlet  
 B: Socket  
 C: Electric  
 D: Gas - from upper edge of pan support  
 E: Electric - for Australia and New Zealand



(1) Exhaust air  
 (2) Circulated air  
 (3) Air outlet – slots for exhaust air to be mounted facing down  
 measurements in mm