

IQ700, Canopy cooker hood, 70 cm, Clear glass black printed LB79585MGB



A++

Optional accessories

LZ10ITP00	Long Life odor filter (replacement)
LZ11ITD11	Long Life recirculation kit external
LZ11IXB16	Clean Air Plus odor filter (replacement)
LZ11IXC16	Clean Air Plus recirc. kit external
LZ55651	Standard odor filter (replacement)
LZ55750	Standard recirculation kit
LZ75956	Remote control

The powerful canopy cooker hood is concealed in a unit above the hob.

- ✓ iQdrive motor - The quiet, high-performance motor ensures efficient removal of odours and steam.
- ✓ LED lights: for optimal visibility and ambience while cooking.

Features

Technical Data

Typology:	Built-in/Built-under
Length electrical supply cord:	150.0 cm
Min. required niche size for installation (HxWxD):	418mm x 676.0mm x 264mm mm
Minimum distance above an electric hob:	500 mm
Minimum distance above a gas hob:	650 mm
Weight:	9.6 kg
Type of control:	Electronic
Number of speed settings:	3-stages + intensive setting
Maximum output air extraction:	575 m ³ /h
Boost position output recirculating:	722 m ³ /h
Maximum output recirculating air:	533 m ³ /h
Boost position air extraction:	775 m ³ /h
Maximum Air flow:	575 m ³ /h
Number of lights:	2
Noise level:	64 dB(A) re 1 pW
Diameter of air outlet:	120 / 150 mm
Grease filter material:	Washable aluminium
EAN code:	4242003845530
Connection Rating:	172 W
Fuse protection:	3 A
Nominal power:	220-240 V
Frequency:	50 Hz
Plug type:	GB plug
Installation type:	Built-in
Delay Shut off modes:	30 min



4 242003 845530

IQ700, Canopy cooker hood, 70 cm, Clear glass black printed LB79585MGB

Features

Key performance features:

- Energy Efficiency Class: A++ (at a range of energy efficiency classes from A+++ to D)
- Extraction rate according to EN 61591 ø 15 cm:
 - max. Normal use: 575 m³/h
 - Intensive: 775 m³/h
- Noise max. Normal Level: 64 dB*

Features

- 3 x power levels plus intensive setting
- softLight with dimmer function
- 2 x 1W LED lights
- Colour Temperature: 4000 K
- iQDrive motor - efficient BLDC technology
- Interval operation
- 30 minutes
- Automatic intensive revert (6mins)
- 2 x metal grease filter cassettes
- Saturation indicator for grease filter
- For installation in a kitchen cabinet
- Rim ventilation

Design

- Canopy hood
- Glass filter cover, Steel filter cover
- Black glass canopy
- Soft touch button control for extractor speeds and light
- Electronic control

Performance/technical information

- Suitable for ducted and re-circulating operation
- For recirculated extraction a recirculating kit or a CleanAir recirculation kit (accessory) is needed
- Max. extraction rate: 775 m³/h
- Noise level according to EN 60704-3 and EN 60704-2-13 exhaust air:
 - Max. normal use: 64dB(A) re 1 pW
 - Intensive: 70 dB(A) re 1 pW
- With the Clean Air Plus recirculation kit (available as optional accessory) your appliances reaches:
 - Extraction rate in recirculation mode: Max. normal use: 533m³/h
 - Intensive: 722m³/h
 - Noise level in recirculation mode: Max. normal use: 71dB(A) re 1 pW
 - Intensive: 77 dB(A) re 1 pW
- Power rating: 172 W
- Light Intensity: 244 lux
- Electrical cable length 1.5 m
- Diameter pipe Ø 150 mm (Ø 120 mm enclosed)
- Dimensions exhaust air (HxWxD): 418-418 x 700 x 300 mm
- Built-in dimensions (HxWxD): 418 x 676 x 264 mm
- Blower Efficiency Class: A*

- Lighting Efficiency Class: A*
- Grease Filtering Efficiency Class: D*
- Average Energy Consumption: 30.3 kWh/year*

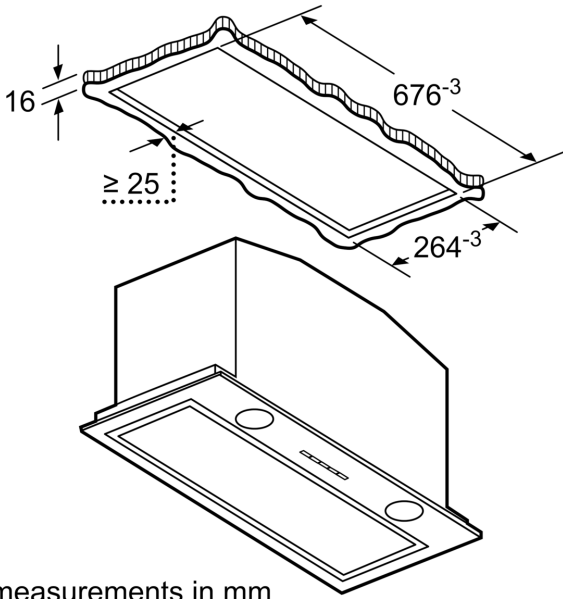
Optional accessories

- Recirculating kit LZ10ITP00

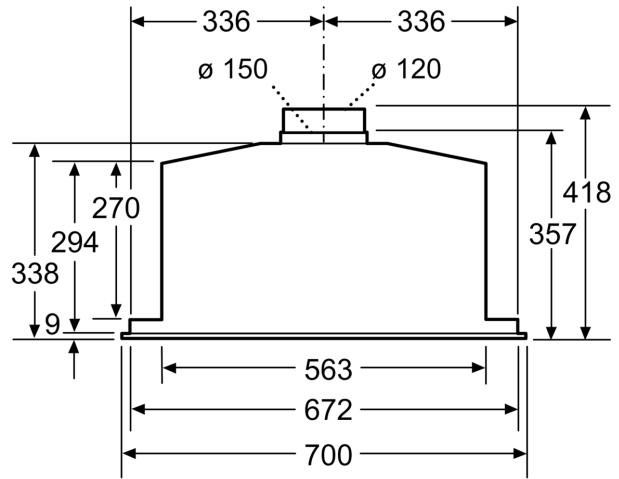
* In accordance with the EU-Regulation No 65/2014

IQ700, Canopy cooker hood, 70 cm, Clear glass black printed LB79585MGB

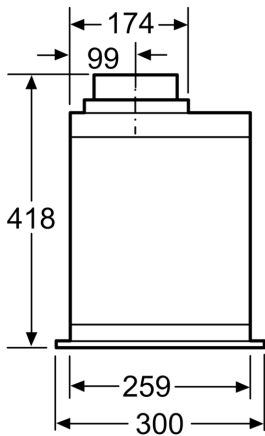
Dimensioned drawings



measurements in mm

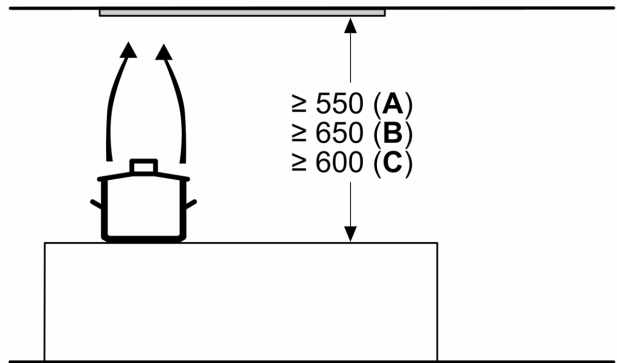


measurements in mm



measurements in mm

Measurements in mm



A: Electric

B: Gas - from upper edge of pan support

C: Electric - for Australia and New Zealand