

**IQ500, Canopy cooker hood, 52 cm, Stainless steel
LB57574GB**



The powerful canopy cooker hood is concealed in a unit above the hob.

✓ LED lights: for optimal visibility and ambience while cooking.

Features

Technical Data

Typology: Built-in/Built-under
 Length electrical supply cord: 150.0 cm
 Min. required niche size for installation (HxWxD): 418mm x 496.0mm x 264mm mm
 Minimum distance above an electric hob: 500 mm
 Minimum distance above a gas hob: 650 mm
 Weight: 7.3 kg
 Type of control: Electronic
 Number of speed settings: 3-stages + intensive setting
 Maximum output air extraction: 560 m³/h
 Boost position output recirculating: 581 m³/h
 Maximum output recirculating air: 533 m³/h
 Boost position air extraction: 615 m³/h
 Maximum Air flow: 560 m³/h
 Number of lights: 2
 Noise level: 67 dB(A) re 1 pW
 Diameter of air outlet: 120 / 150 mm
 Grease filter material: Washable aluminium
 EAN code: 4242003686249
 Connection Rating: 252 W
 Fuse protection: 3 A
 Nominal power: 220-240 V
 Frequency: 50 Hz
 Plug type: GB plug
 Installation type: Built-in



Optional accessories

LZ10ITP00	Long Life odor filter (replacement)
LZ11ITD11	Long Life recirculation kit external
LZ11IXB16	Clean Air Plus odor filter (replacement)
LZ11IXC16	Clean Air Plus recirc. kit external
LZ55651	Standard odor filter (replacement)
LZ55750	Standard recirculation kit

IQ500, Canopy cooker hood, 52 cm, Stainless steel LB57574GB

Features

Key Information

- Soft touch button control for extractor speeds and light
- 3 x power levels plus intensive setting
- Automatic intensive revert
- 2 x 1W LED lights
- 1 x metal grease filter cassette
- Steel filter cover, Steel filter cover
- Rim ventilation

Design

- 52 cm wide
- Stainless Steel
- For installation in a kitchen cabinet
- Electronic control via Soft touch button control

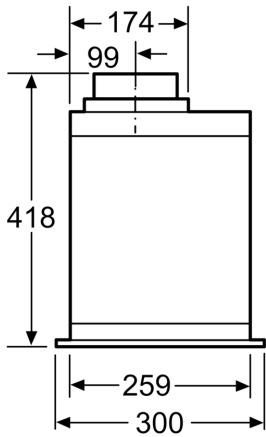
Performance/technical information

- Suitable for ducted and re-circulating operation
- For recirculated extraction recirculating kit or CleanAir recirculating kit (accessory) needed
- Extraction rate according to EN 61591 ø 15 cm:
- max. Normal use: 560 m³/h
- Intensive: 615 m³/h
- Noise level according to EN 60704-3 and EN 60704-2-13 exhaust air:
- Max. normal use: 67 dB(A) re 1 pW
- Intensive: 70 dB(A) re 1 pW
- With the Clean Air Plus recirculation kit (available as optional accessory) your appliances reaches:
- Extraction rate in recirculation mode: Max. normal use: 533 m³/h
- Intensive: 581 m³/h
- Noise level in recirculation mode: Max. normal use: 72 dB(A) re 1 pW
- Intensive: 74 dB(A) re 1 pW
- Power rating: 252 W
- Light Intensity: 244 lux
- Colour Temperature: 4000 K
- Dimensions (WxD): 520 x 300 mm
- Built-in dimensions (HxWxD): 418 x 496 x 264 mm
- Dimensions exhaust air (HxWxD): 418-418 x 520 x 300 mm
- Diameter pipe Ø 150 mm (Ø 120 mm enclosed)
- Average Energy Consumption: 90.2 kWh/year*
- Energy Efficiency Class: C (at a range of energy efficiency classes from A+++ to D)
- Blower Efficiency Class: C*
- Lighting Efficiency Class: A*
- Grease Filtering Efficiency Class: D*

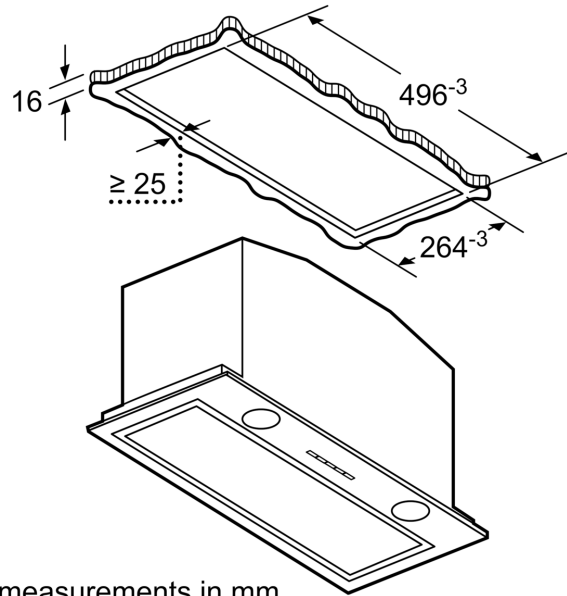
* In accordance with the EU-Regulation No 65/2014

**IQ500, Canopy cooker hood, 52 cm, Stainless steel
LB57574GB**

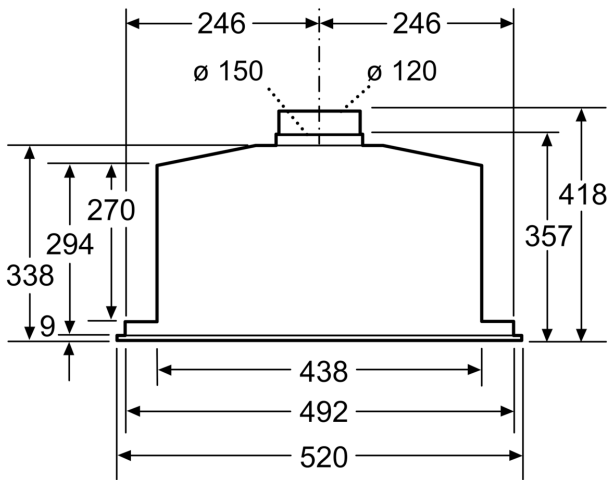
Dimensioned drawings



measurements in mm

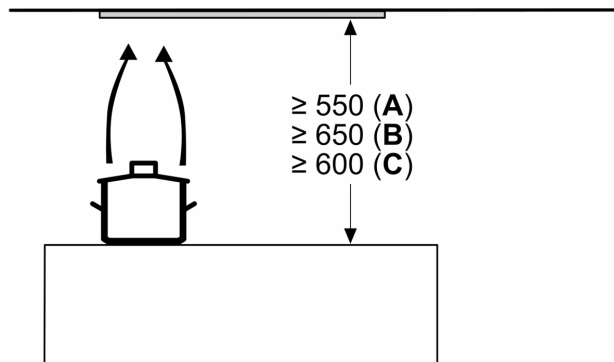


measurements in mm



measurements in mm

Measurements in mm



A: Electric

B: Gas - from upper edge of pan support

C: Electric - for Australia and New Zealand