

**IQ100, Canopy cooker hood, 53 cm, Anthracite
LB53NAA30B**



The powerful canopy cooker hood is concealed in a unit above the hob.

✓ LED lights: for optimal visibility and ambience while cooking.

Optional accessories	
LZ10INA00	Standard odor filter (replacement)
LZ10INT00	Standard recirculation kit

Features

Technical Data	
Typology:	Built-in/Built-under
Length electrical supply cord:	150.0 cm
Min. required niche size for installation (HxWxD):	208mm x 493.0mm x 257mm mm
Minimum distance above an electric hob:	550 mm
Minimum distance above a gas hob:	650 mm
Weight:	4.5 kg
Type of control:	mechanical
Number of speed settings:	3
Maximum output air extraction:	302 m³/h
Maximum output recirculating air:	300 m³/h
Maximum Air flow:	302 m³/h
Number of lights:	2
Noise level:	62 dB(A) re 1 pW
Diameter of air outlet:	120 mm
Grease filter material:	Washable aluminium
EAN code:	4242003831717
Connection Rating:	121 W
Fuse protection:	5 A
Nominal power:	220-240 V
Frequency:	50 Hz
Plug type:	GB plug
Installation type:	Built-in



IQ100, Canopy cooker hood, 53 cm, Anthracite LB53NAA30B

Features

Key performance features:

- Energy Efficiency Class: D (at a range of energy efficiency classes from A+++ to D)
- Max. extraction rate: 302 m³/h
- Noise max. Normal Level: 62 dB*

Features

- Push button control for extractor speeds and light
- 3 x power levels
- 2 x 3W LED
- Colour Temperature: 2700 K
- 1 x metal grease filter cassette
- For installation in a kitchen cabinet, Integrated

Design

- Canopy hood
- Mechanical

Performance/technical information

- Suitable for ducted and re-circulating operation
- For recirculated extraction a recirculating kit or a CleanAir recirculation kit (accessory) is needed
- Extraction rate according to EN 61591: max. 302 m³/h
- Noise level according to EN 60704-3 and EN 60704-2-13 at maximum normal setting: extraction rate: 62 dB(A) re 1 pW (48 dB(A) re 20 µPa sound pressure)
- Power rating: 121 W
- Light Intensity: 78 lux
- Electrical cable length 1.5 m
- Diameter pipe Ø 120 mm (Ø 120 mm enclosed)
- Dimensions exhaust air (HxWxD): 208-208 x 534 x 300 mm
- Dimensions recirculating, chimney (HxWxD): 208-208 x 534 x 300mm
- Built-in dimensions (HxWxD): 208 x 493 x 257 mm
- Blower Efficiency Class: E*
- Lighting Efficiency Class: D*
- Grease Filtering Efficiency Class: D*
- Average Energy Consumption: 67.7 kWh/year*

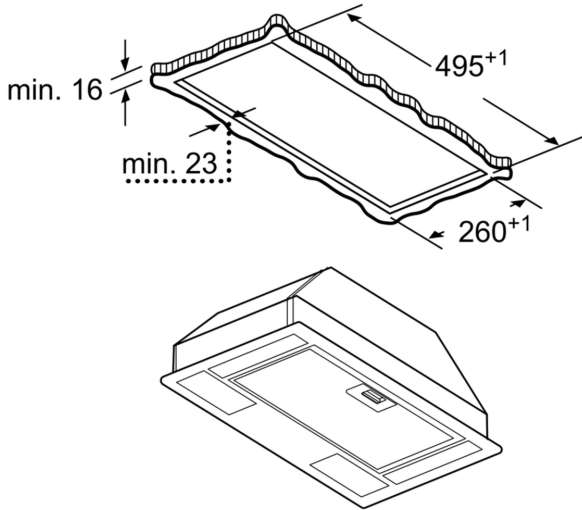
Optional accessories

- Recirculating kit LZ10INA00

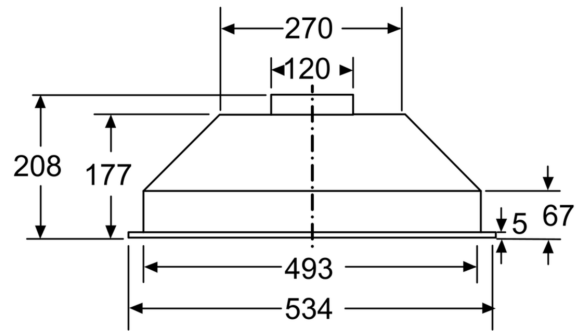
* In accordance with the EU-Regulation No 65/2014

**IQ100, Canopy cooker hood, 53 cm, Anthracite
LB53NAA30B**

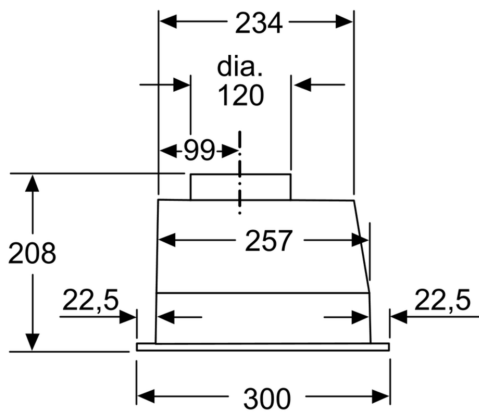
Dimensioned drawings



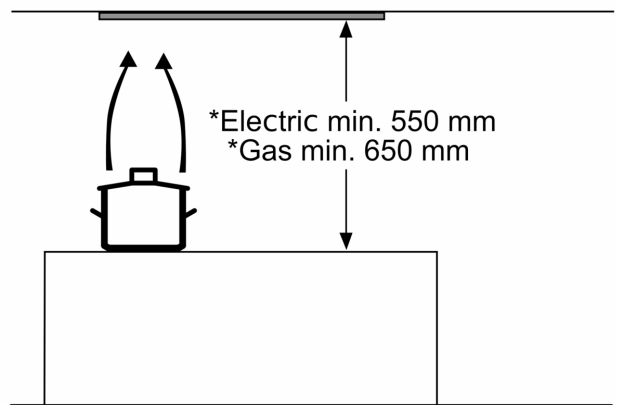
measurements in mm



measurements in mm



measurements in mm



* from upper edge of pan support

measurements in mm