

**IQ500, Wine cooler with glass door, 186 x 60 cm
KW36KATGA**



Premium design freestanding wine cabinet with two temperature zones for perfect wine storage within a range from 7°C to 19°C.

- ✓ Oak shelves: unique and premium presentation of your wines.
- ✓ The glassDoor series brings effortless elegance to your kitchen.
- ✓ Two separately controlled temperature zones for optimal wine storage – dual temperature zones.
- ✓ Elegant and premium presentation of your wines – oak shelves with metal.
- ✓ Exclusive presentation of your wine collection – oak shelves with telescopic rails.

Features

Technical Data

Energy Efficiency Class: G
 Average annual energy consumption in kilowatt hour per year (kWh/a): 155 kWh/annum
 Capacity of 75 cl bottles: 199
 Airborne acoustical noise emissions : 38 dB(A) re 1 pW
 Airborne acoustical noise emission class: C
 Built-in / Free-standing: Freestanding
 Door panel options: Not possible
 Height: 1860 mm
 Width of the appliance: 600 mm
 Dimensions: 610 mm
 Weight: 92.4 kg
 Fuse protection: 10 A
 Interior ventilator: Yes
 Nominal power: 220-240 V
 Frequency: 50-60 Hz
 Length electrical supply cord: 230.0 cm
 Plug type: GARDY plug w/ earthing
 Number of compressors: 1
 Number of independent cooling systems: 2
 Reversible Door Hinge: Yes
 Interior light switch: No
 EAN code: 4242003869635
 Brand: Siemens
 Product name / Commercial code: KW36KATGA



IQ500, Wine cooler with glass door, 186 x 60 cm KW36KATGA

Features

Performance and Consumption

Functions

- Upright fridge

Design features

- Optical and acoustical door open warning system
- Active cooling - quick and even temperature distribution on all shelf levels (interior fan)
- Automatic defrost in fridge section

Key features - Fridge section

- Ventilation in plinth, the plinth size can be varied
- Door aperture angle 115°
- Right hinged door, door reversible

Dimension and installation

- Dimensions: 186 cm H x 60 cm W x 61 cm D

Country Specific Options

- Based on the results of the standard 24-hour test. Actual consumption depends on usage/position of the appliance.
- This appliance is intended to be used exclusively for the storage of wine

Key features - Freezer section

Additional features

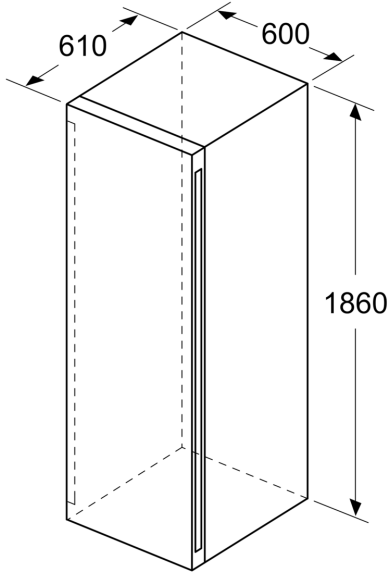
Design features

- EU19_EEK_D: G
- Total Volume : 370 l
- Annual Energy Consumption: 155 kWh/a
- Climate Class: SN-ST
- Noise Level : 38 dB
- glass
- Illumination fridge: LED with Soft Start
- Number of Temperature Zones: 2
- Temperature range: 7-19 °C
- Child lock

IQ500, Wine cooler with glass door, 186 x 60 cm
KW36KATGA

Dimensioned drawings

measurements in mm



measurements in mm

