

**Series 6, built-under fridge, 82 x 60 cm, flat hinge
KUR15AFF0G**



Included accessories

1 x egg tray

Optional accessories

KFZ10AX0 Door panel with decor frame
KSZGGM00 Butter box
KUZ20SX0 Attachment door, stainless steel

**The built-under refrigerator with MultiBox:
ideal storage location for your fresh fruits
and vegetables.**

- LED lighting - with soft start, lasts for the lifetime of the appliance.

Technical Data

Energy Efficiency Class: F
 Average annual energy consumption in kilowatt hour per year (kWh/a): 114 kWh/annum
 Sum of volume of frozen compartments: 0 l
 Sum of volume of chill compartments: 137 l
 Airborne acoustical noise emissions :38 dB(A) re 1 pW
 Airborne acoustical noise emission class:C
 Built-in / Free-standing: Built-in
 Door panel options: Possible but accessory
 Height: 820 mm
 Width of the appliance: 598 mm
 Depth: 548 mm
 Min. required niche size for installation (HxWxD):820 x 600 x 550 mm
 Net weight: 34.0 kg
 Connection rating: 90 W
 Fuse protection: 13 A
 Door hinge: Right reversible
 Voltage: 220-240 V
 Frequency: 50 Hz
 Length electrical supply cord: 230.0 cm
 Number of compressors: 1
 Number of independent cooling systems: 1
 Interior ventilator: No
 Reversible Door Hinge: Yes
 Number of Adjustable Shelves in fridge compartment: 3
 Shelves for Bottles: No
 EAN code: 4242005142859
 Brand: Bosch
 Product name / Commercial code: KUR15AFF0G
 Product category: Refrigerator
 Frost free system: No
 Installation typology: Built-under
 Included accessories: 1 x egg tray



Series 6, built-under fridge, 82 x 60 cm, flat hinge KUR15AFF0G

The built-under refrigerator with MultiBox: ideal storage location for your fresh fruits and vegetables.

- Fully integrated

Functions

- Ventilation through plinth
- Easy clean interior

Design features

- Mechanical control
- 1 compressor
- Automatic defrost fridge

Design features

- 3 safety glass shelves in fridge compartment of which 3 are height adjustable
- 1 removable door storage compartments.
- Bottle holder in x-deep door tray
- Bright interior LED fridge light

Freshness System

- 2 MultiBox drawers

Key features - Fridge section

- Right hinged door, reversible door
- Connection value 90 W
- 220 - 240 V

Dimension and installation

- Niche Dimensions: 82 cm H x 60 cm W x 55 cm D
- Dimensions: 82 cm H x 59.8 cm W x 54.8 cm D

Key features - Freezer section

- KUR15AFF0G

Country Specific Options

- Based on the results of the standard 24-hour test. Actual consumption depends on usage/position of the appliance.

Additional features

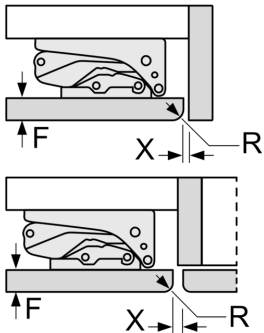
Performance and Consumption

- EU19_EEK_D: F
- Total Volume : 137 l
- Annual Energy Consumption: 114 kWh/a
- Climate Class: SN-ST
- Noise Level : 38 dB

**Series 6, built-under fridge, 82 x 60 cm, flat hinge
KUR15AFF0G**

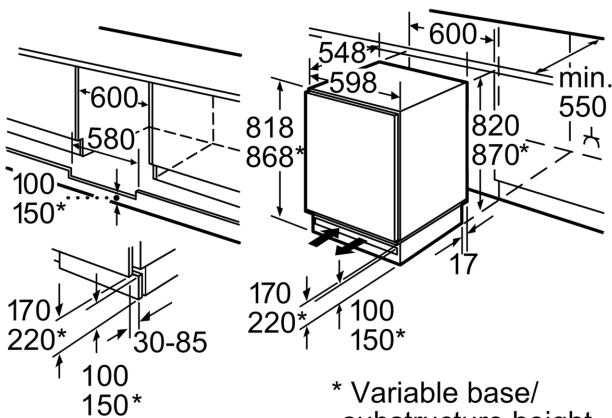
measurements in mm

Recommended gap dimensions for flat hinges



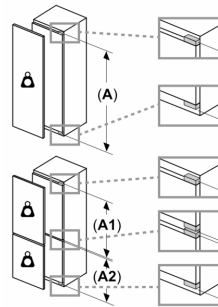
F	R	X
16-19	0-3	2.5
20	0-1	3
21	2-3	2.5
	0-1	3
22	2-3	2.5
	0	4
	1	3.5
	2-3	3

The gap dimensions recommended in the table must be adhered to in order to ensure that appliance doors do not collide with anything when they are opened, and to avoid causing damage to kitchen units.



Space for electrical connection next to the appliance on the left or right-hand side.
Ventilation space in the base.

Measurements in mm



Maximal permissible weight of the unit fronts

Fitted unit fronts that exceed the permissible weight may cause damage and result in functional impairment of the hinges

Δ Weight

A: Appliance door height including hinges in mm

B: Undamped hinge, unit front in kg

C: Damped hinge, unit front in kg

D: Additional possible load in kg with heavy load kit

A	B	C	D
1500-1750	22	22	
720-1400	19	19	B+5 / C+5
A1	15	19	
A2	15	19	