

Serie | 6, built-under fridge, 82 x 60 cm
KUR15A50GB



The built-under refrigerator with MultiBox: ideal storage location for your fresh fruits and vegetables.

- **MultiBox:** transparent drawer with wave bottom, ideal for the storage of fruits and vegetables
- LED lighting - with soft start, lasts for the lifetime of the appliance.

Technical Data

Built-in / Free-standing :	Built-in
Door panel options :	Possible but accessory
Height (mm) :	820
Width of the appliance :	598
Depth (mm) :	548
Required niche size for installation (HxWxD) :	820 x 600 x 550
Net weight (kg) :	33.335
Connection Rating (W) :	90
Current (A) :	13
Door hinge :	Right reversible
Voltage (V) :	220-240
Frequency (Hz) :	50
Approval certificates :	CE, VDE
Length electrical supply cord (cm) :	230
Number of compressors :	1
Number of independent cooling systems :	1
Interior ventilator :	No
Reversible Door Hinge :	Yes
Number of Adjustable Shelves in fridge compartment :	3
Shelves for Bottles :	No
EAN code :	4242002650173
Brand :	Bosch
Product name / Commercial code :	KUR15A50GB
Product category :	Refrigerator
Energy efficiency rating :	A+
Energy consumption annual (kWh/annum) - NEW (2010/30/EC) :	118.00
Refrigerator Net capacity (l) - NEW (2010/30/EC) :	137
Freezer Net capacity (l) - NEW (2010/30/EC) :	0
Frost free system :	No
Freezing capacity (kg/24h) - NEW (2010/30/EC) :	0
Noise level (dB(A) re 1 pW) :	38
Climate class :	SN-ST
Installation typology :	Built-under



Serie | 6, built-under fridge, 82 x 60 cm KUR15A50GB

**The built-under refrigerator with MultiBox:
ideal storage location for your fresh fruits
and vegetables.**

Performance and Consumption

- Energy Efficiency Class: A+
- Energy Efficiency Class: A+ kWh/yr: 0.321 kWh
- Total net capacity: 137 litres
- Noise level dB(A) re 1 pW: 38

Design features

- Right hinged door, reversible door
- Fixed hinge
- Mechanical control
- Bright interior LED fridge light
- Removable magnetic door seals - easy to clean
- 1 compressor

Food freshness system

- 2 MultiBox drawers

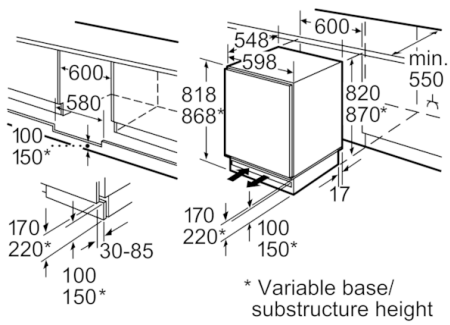
Key features - Fridge section

- 3 removable safety glass shelves
- 1 removable door storage compartments.
- 1 dairy compartment in door
- Automatic defrost fridge

Dimension and installation

- Climate class SN-ST (suitable for ambient temperatures between 10 to 38°C)
- Connection value 90 W
- Dimensions: 82 cm H x 59.8 cm W x 54.8 cm D
- Niche Dimensions: 82 cm H x 60 cm W x 55 cm D

**Serie | 6, built-under fridge, 82 x 60 cm
KUR15A50GB**



Space for electrical connection next to the
appliance on the left or right-hand side.
Ventilation space in the base.

Measurements in mm