

**Series 6, built-under fridge with freezer section, 82 x 60 cm, flat hinge
KUL15A60GB**



Included accessories

1 x egg tray, 1 x ice cube tray

Optional accessories

KFZ10AX0 Door panel with decor frame
KUZ20SX0 Attachment door, stainless steel

The refrigerator with MultiBox: extra compartment for your fruits and vegetables

• LED lighting - with soft start, lasts for the lifetime of the appliance.

Technical Data

Built-in / Free-standing: Built-in
 Door panel options: Possible but accessory
 Height: 820 mm
 Width of the appliance: 598 mm
 Depth: 548 mm
 Min. required niche size for installation (HxWxD):820 x 600 x 550 mm
 Net weight: 33.8 kg
 Connection rating: 90 W
 Fuse protection: 13 A
 Door hinge: Right reversible
 Voltage: 220-240 V
 Frequency: 50 Hz
 Length electrical supply cord: 230.0 cm
 Number of compressors: 1
 Number of independent cooling systems: 1
 Interior ventilator: No
 Reversible Door Hinge: Yes
 Number of Adjustable Shelves in fridge compartment: 1
 Shelves for Bottles: No
 EAN code: 4242002644301
 Brand: Bosch
 Product name / Commercial code: KUL15A60GB
 Product category: Refrigerator
 Frost free system: No
 Installation typology: Built-under
 Included accessories: 1 x egg tray, 1 x ice cube tray



Series 6, built-under fridge with freezer section, 82 x 60 cm, flat hinge

KUL15A60GB

The refrigerator with MultiBox: extra compartment for your fruits and vegetables

Performance and Consumption

- Energy Efficiency Class: A++
- Energy Efficiency Class: A++ kWh/yr: 0.381 kWh
- Total net capacity: 123 litres
- Net fridge capacity: 108 litres
- Net freezer capacity: 15 litres
- Noise level dB(A) re 1 pW: 38

Design features

- Right hinged door, reversible door
- Fixed hinge
- Mechanical control
- Bright interior LED fridge light
- Removable magnetic door seals - easy to clean
- 1 compressor

Food freshness system

- 2 MultiBox drawers

Key features - Fridge section

- 2 removable safety glass shelves
- 2 safety glass shelves in fridge compartment of which 1 are height adjustable
- 1 removable door storage compartments.
- Automatic defrost fridge

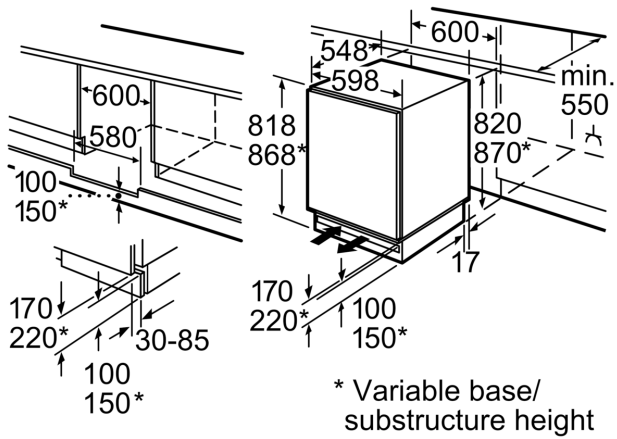
Key features - Freezer section

- 1 hinged freezer compartment
- Ice box
- Maximum freezer storage time in power failure: 10 hours
- Freezing capacity in 24 hours: 2 kg

Dimension and installation

- Ventilation in plinth, the plinth size can be varied
- Climate class SN-ST (suitable for ambient temperatures between 10 to 38°C)
- Connection value 90 W
- Dimensions: 82 cm H x 59.8 cm W x 54.8 cm D
- Niche Dimensions: 82 cm H x 60 cm W x 55 cm D

**Series 6, built-under fridge with
freezer section, 82 x 60 cm, flat
hinge
KUL15A60GB**



Space for electrical connection next to the
appliance on the left or right-hand side.
Ventilation space in the base.

Measurements in mm