

IQ500, built-under fridge with freezer section, 82 x 60 cm, flat hinge KU15LA60GB



Included accessories	
1 x egg tray, 1 x ice cube tray	
Optional accessories	
KF10ZAX0	Door panel with decor frame
KU20ZSX0	Attachment door, stainless steel

Energy efficient undercounter fridge with handy covered fruit and Fresh Box

- ✓ LED light – Even lighting throughout the inside of your fridge to keep everything in view.
- ✓ Additional space for fruit and vegetables: they stay crispy in the 2 Fresh Boxes with wavy bottom.
- ✓ safetyGlass shelves – Extra strong and easy to clean.

Features

Technical Data	
Built-in / Free-standing:	Built-in
Door panel options:	Possible but accessory
Height:	820 mm
Width of the appliance:	598 mm
Dimensions:	548 mm
Min. required niche size for installation (HxWxD): ..	820 x 600 x 550 mm
Weight:	33.5 kg
Connection Rating:	90 W
Fuse protection:	13 A
Door hinge:	Right reversible
Nominal power:	220-240 V
Frequency:	50 Hz
Length electrical supply cord:	230.0 cm
Number of compressors:	1
Number of independent cooling systems:	1
Interior ventilator:	No
Reversible Door Hinge:	Yes
Number of Adjustable Shelves in fridge compartment:	1
Shelves for Bottles:	Yes
EAN code:	4242003556221
Brand:	Siemens
Product name / Commercial code:	KU15LA60GB
Product category:	Upright fridge
Frost free system:	No
Installation type:	Built under
Included accessories:	1 x egg tray, 1 x ice cube tray



IQ500, built-under fridge with freezer section, 82 x 60 cm, flat hinge KU15LA60GB

Features

Performance and Consumption

- Energy Efficiency Class: A++
- Energy Efficiency Class: A++ kWh/yr: 0.381 kWh
- Total net capacity: 123 litres
- Net fridge capacity: 108 litres
- Noise level dB(A) re 1 pW: 38

Design features

- Right hinged door, door reversible
- Fixed hinge
- Temperature control dial
- Bright interior LED fridge light
- Removable magnetic door seals - easy to clean
- 1 compressor/1 cooling circuit

Food freshness system

- 2 vegetable/salad containers

Key features - Fridge section

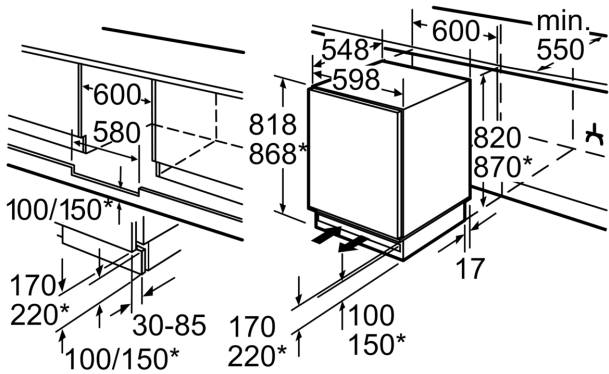
- 2 removable safety glass shelves
- 1 removable door storage compartments.
- Automatic defrost in fridge section

Dimension and installation

- Ventilation in plinth, the plinth size can be varied
- Climate class SN-ST (suitable for ambient temperatures between 10 to 38°C)
- Connection value 90 W
- Dimensions: 82 cm H x 59.8 cm W x 54.8 cm D
- Niche Dimensions: 82 cm H x 60 cm W x 55 cm D

**IQ500, built-under fridge with
freezer section, 82 x 60 cm, flat
hinge
KU15LA60GB**

Dimensioned drawings



* variable base/substructure height

Space for electrical connection next to the
appliance on the left or right-hand side.
Ventilation space in the base.

measurements in mm