

**Series 4, built-in fridge-freezer with freezer at bottom, 177.2 x 54.1 cm, sliding hinge
KIV87VSE0G**



Optional accessories

- KSZGGM00 Butter box
- KSZB6R00 Bottle Rack

The spacious built-in fridge-freezer combination with VitaFresh XXL keeps food fresh for longer.

- **VitaFresh XXL:** the extra-large, climate-controlled fridge drawer for fruit and vegetables.
- **Eco Airflow:** maintains optimal air circulation and a constant temperature level throughout the cooling area.
- **Low Frost:** defrost less often thanks to reduced frost – saving time, effort and energy.
- **High-stability door trays:** extra high and flexible for more space and stability.
- **LED lighting - with soft start, lasts for the lifetime of the appliance.**

Technical Data

Energy Efficiency Class:	E
Average annual energy consumption in kilowatt hour per year (kWh/a):	216 kWh/annum
Sum of volume of frozen compartments:	70 l
Sum of volume of chill compartments:	200 l
Airborne acoustical noise emissions :	35 dB(A) re 1 pW
Airborne acoustical noise emission class:	B
Built-in / Free-standing:	Built-in
Door panel options:	Not possible
Height:	1772 mm
Width of the appliance:	541 mm
Depth:	548 mm
Min. required niche size for installation (HxWxD):	1775.0 x 560 x 550 mm
Net weight:	51.4 kg
Fuse protection:	10 A
Door hinge:	Right reversible
Voltage:	220-240 V
Frequency:	50 Hz
Length electrical supply cord:	230.0 cm
Number of compressors:	1
Number of independent cooling systems:	1
Interior ventilator:	No
Reversible Door Hinge:	Yes
Number of Adjustable Shelves in fridge compartment:	4
Shelves for Bottles:	Yes
Frost free system:	No
Installation typology:	Integrated



Series 4, built-in fridge-freezer with freezer at bottom, 177.2 x 54.1 cm, sliding hinge KIV87VSE0G

- Noise Level : 35 dB
- Temperature rise time : EU19_Temperature rise time_D: 12 H

The spacious built-in fridge-freezer combination with VitaFresh XXL keeps food fresh for longer.

- KIV87VSE0G
- easy Installation

Functions

- Bright interior LED fridge light

Design features

- LED electronic control
- SuperFreezing function with automatic deactivation
- Optical and acoustical door open warning

Design features

- 5 safety glass shelves in fridge compartment of which 4 are height adjustable
- 1 removable door storage compartments.
- 4 door bins

Freshness System

- 1 VitaFresh drawer with humidity control - Fruits and vegetables retain vitamins and stay fresh for longer

Food freshness system

- LowFrost - less ice creation and therefore quicker defrosting
- 2 transparent freezer drawers, including 1 BigBox

Dimension and installation

- Dimensions: 177.2 cm H x 54.1 cm W x 54.8 cm D
- Niche Dimensions: 177.5 cm H x 56 cm W x 55 cm D

Key features - Fridge section

- Right hinged door, reversible door
- 220 - 240 V

Key features - Freezer section

- 3 x egg tray, 1 x ice cube tray

Country Specific Options

- Based on the results of the standard 24-hour test. Actual consumption depends on usage/position of the appliance.

Design features

Dimension and installation

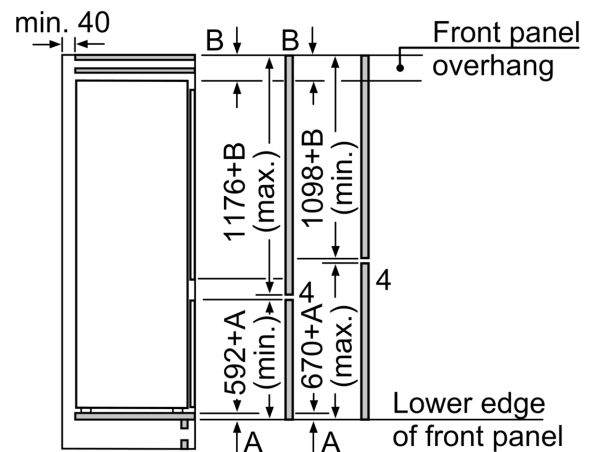
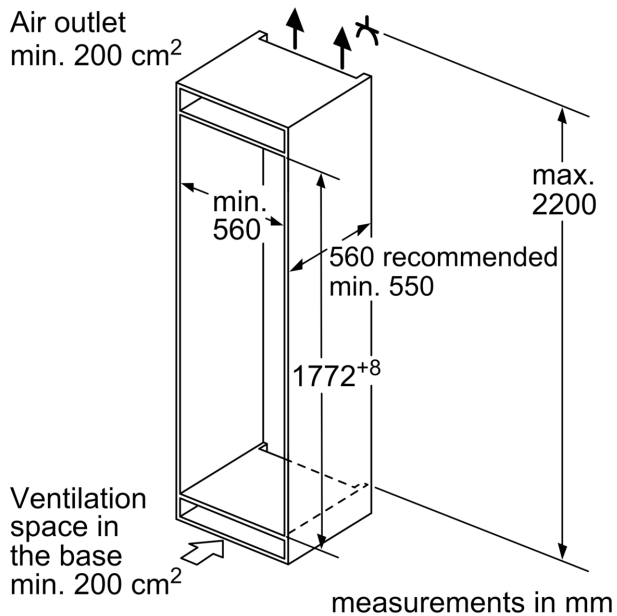
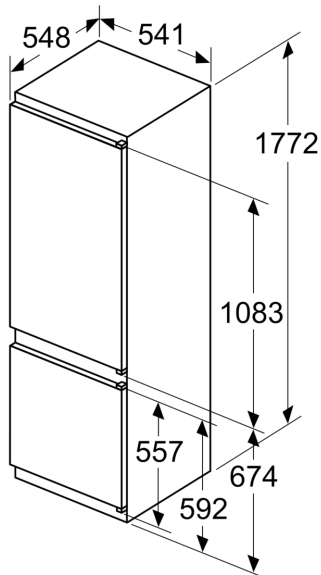
Additional features

Performance and Consumption

- EU19_EEK_D: E
- Total Volume : 270 l
- Net Fridge Volume : 200 l
- Net Freezer Volume : 70 l
- Net 4* compartment volume : 70 l
- Freezing capacity 24h : 3.2 kg
- Annual Energy Consumption: 216 kWh/a
- Climate Class: SN-ST

**Series 4, built-in fridge-freezer with
freezer at bottom, 177.2 x 54.1 cm,
sliding hinge
KIV87VSE0G**

measurements in mm



The specified unit door dimensions
are valid for a door gap of 4 mm.

measurements in mm